

4

3

2

1

THIS DRAWING IS UNPUBLISHED.

RELEASED FOR PUBLICATION

© COPYRIGHT - BY - ALL RIGHTS RESERVED.

| LOC | DIST | REVISIONS | | | | | |
|-----|------|-----------|-----|---------------|-----------|-----|------|
| | | P | LTR | DESCRIPTION | DATE | DWN | APVD |
| H | - | | H | ECR-10-018708 | 09SEP2010 | PW | DH |
| | | | J | ECR-12-004130 | 29MAR2012 | PW | DH |
| | | | J1 | ECR-13-013007 | 9OCT2013 | E.L | WK.H |
| | | | J2 | ECO-18-012432 | 28AUG2018 | K.G | WK.H |

NOTES:

1 DRAWING REPRESENTS PART VERSION "A3".

2 PLATING:
1,2µm MIN. NICKEL ALL OVER
0,8µm MIN. GOLD ON CONTACT AREA
0,05µm - 0,20µm GOLD ON SOLDER AREA

3 COPLANARITY OF SOLDER SURFACES 0,08 MAX.

4 DIMENSION DEPENDS ON DISTANCE BETWEEN PWB AND BATTERY, SEE TABLE ON SHEET 4.

5 MARKING: VERSION, PROCESS ID (##), PRODUCTION DATE (YWW, YEAR AND WEEK).

6 MARKING: CAVITY ID.

7 PN 2-1857084-5 AS SHOWN.

R0,30
REF (A01)

DETAIL Y
(FOR REFERENCE ONLY)
SCALE 20:1

3,70±0,05 (3x) (E01)

3,70±0,05 (E02)

1,90 (E03)

0,500±0,015 (3x) (E05)

0,30±0,05 (E04)

A3 ## YWW

SEE DETAIL Y

2,50 (E01)

2,0 SC (E03)

0,4 (E02)

SECTION A-A

3,0 (E01)

1,90 (E06)

0,80 (E03)

2,5 (E05)

0,80 (E04)

"A"±0,10 (E02)

"B" (E07)

9,50±0,10 (E03)

0,20 (E02)

R0,08 TYP (E01)

OBSOLETE

| 3 | CONTACT, FIRST BREAK | COPPER ALLOY | GOLD PLATED (2) |
|----------|----------------------|--------------|-----------------|
| 2 | CONTACT, LAST BREAK | COPPER ALLOY | GOLD PLATED (2) |
| 1 | HOUSING | PLASTIC, GF | - |
| ITEM NO. | DESCRIPTION | MATERIAL | FINISH |

+

GND

BS1

THIS DRAWING IS A CONTROLLED DOCUMENT.

| DIMENSIONS: | TOLERANCES UNLESS OTHERWISE SPECIFIED: |
|-------------|--|
| mm | |
| | 0 PLC ±- |
| | 1 PLC ±0,2 |
| | 2 PLC ±0,1 |
| | 3 PLC ±- |
| | 4 PLC ±- |
| | ANGLES ±- |

MATERIAL - FINISH -

DWN 29 APR 2005

CHK J. Tuin

29 APR 2005

APVD J. Tuin

29 APR 2005

D. Halberstadt

PRODUCT SPEC

108-19276

APPLICATION SPEC

-

WEIGHT -

CUSTOMER DRAWING

TE Connectivity

| NAME | | | |
|--|--|--|--|
| PLUG CONNECTOR UTB, 3 POSITION BATTERY BLOCK | | | |

| SIZE | CAGE CODE | DRAWING NO | RESTRICTED TO |
|------|-----------|------------|---------------|
| A3 | 00779 | C=1857084 | |

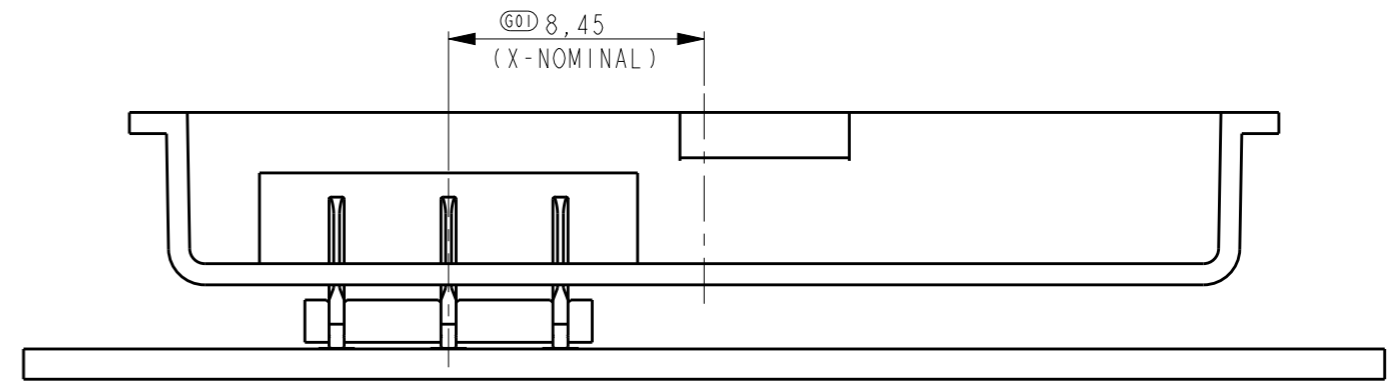
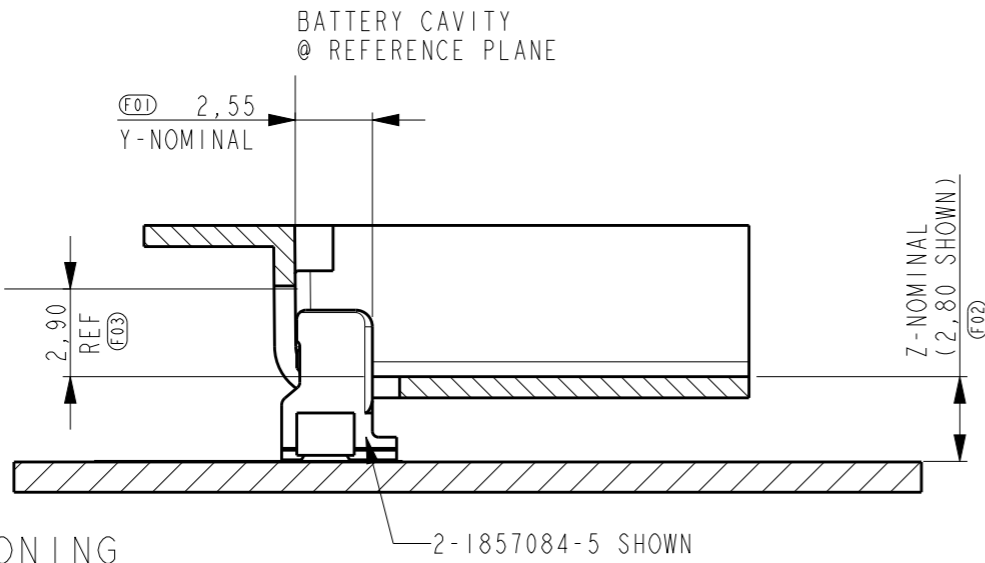
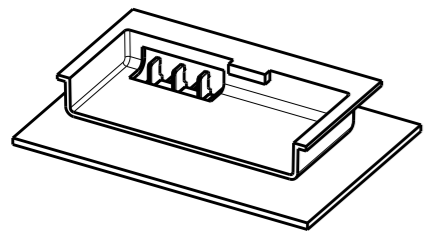
| SCALE | SHEET | OF | REV |
|-------|-------|----|-----|
| 10:1 | 1 | 5 | J2 |

1470-19 (3/11)

Downloaded From Oneyac.com

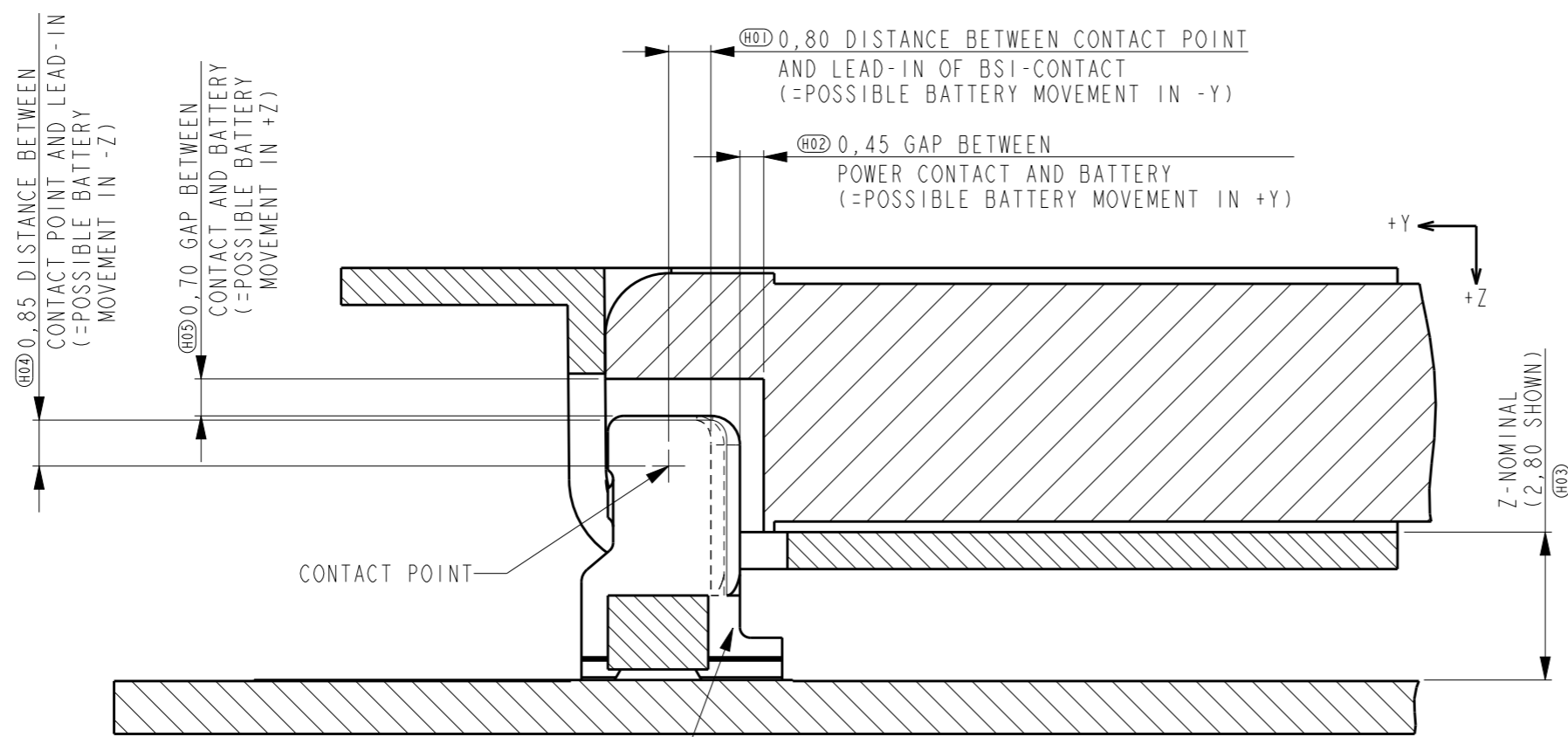
THIS DRAWING IS UNPUBLISHED. RELEASED FOR PUBLICATION
 © COPYRIGHT - BY - ALL RIGHTS RESERVED.

| LOC | | DIST | | REVISIONS | | | |
|-----|-----|-------------|------|-----------|------|--|--|
| P | LTR | DESCRIPTION | DATE | DWN | APVD | | |
| | | SEE SHEET 1 | | | | | |



CONNECTOR POSITIONING

2-1857084-5 SHOWN



WORKING RANGE:
 (PERMITTED BATTERY MOVEMENT)

IN X-DIRECTION ±0,50 SYMMETRICAL

IN Y-DIRECTION 1,25 TOTAL
 IN -Y-DIRECTION 0,80
 (BATTERY LENGTH TOLERANCE, PHONE CASE TOLERANCE, ASSEMBLY TOLERANCE, PHONE FLEXIBILITY)
 IN +Y-DIRECTION 0,45
 (ASSEMBLY TOLERANCE, PHONE FLEXIBILITY)

IN Z-DIRECTION 1,55 TOTAL
 IN -Z-DIRECTION 0,85
 (BATTERY FRONT TOLERANCE, PHONE CASE TOLERANCE, PHONE FLEXIBILITY)
 IN +Z-DIRECTION 0,70 (SEE TABLE SHEET 4)
 (PHONE CASE TOLERANCE, PHONE FLEXIBILITY)

THESE VALUES APPLY IF Z-NOMINAL IS IN THE CENTER OF THE RANGE SPECIFIED FOR THE PLUG (AS SHOWN HERE).

WORKING RANGE

SCALE 8:1

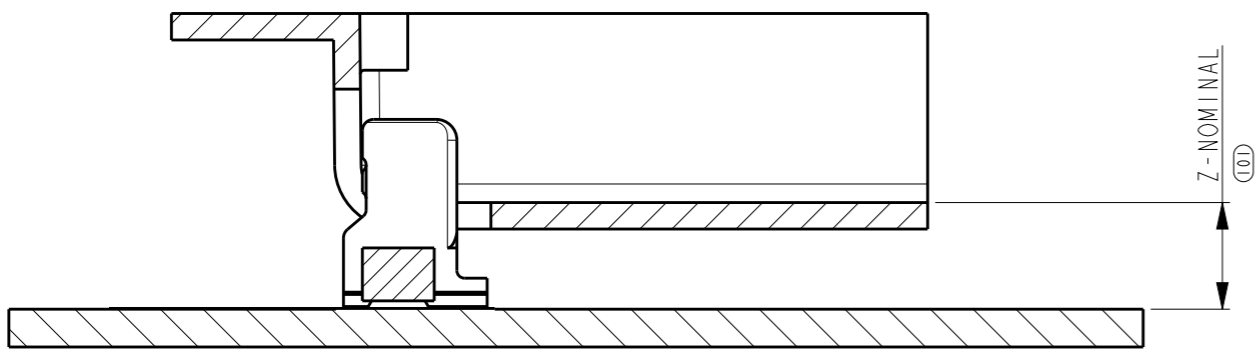
OBSOLETE

| | | | | |
|--|------------|---------------------------------|--|-----------------|
| THIS DRAWING IS A CONTROLLED DOCUMENT. | | DWN J. Tuin 29 APR 2005 | TE Connectivity | |
| DIMENSIONS: mm | | CHK J. Tuin 29 APR 2005 | | |
| TOLERANCES UNLESS OTHERWISE SPECIFIED: | | APVD D. Halberstadt 29 APR 2005 | NAME | |
| 0 PLC ±- | 1 PLC ±0,2 | PRODUCT SPEC 108-19276 | PLUG CONNECTOR UTB, 3 POSITION BATTERY BLOCK | |
| 2 PLC ±0,1 | 3 PLC ±- | APPLICATION SPEC - | SIZE A3 | CAGE CODE 00779 |
| 4 PLC ±- | ANGLES ±- | WEIGHT - | DRAWING NO. C-1857084 | RESTRICTED TO |
| MATERIAL - | FINISH - | CUSTOMER DRAWING | SCALE 10:1 | SHEET 2 OF 5 |
| | | | | REV J2 |

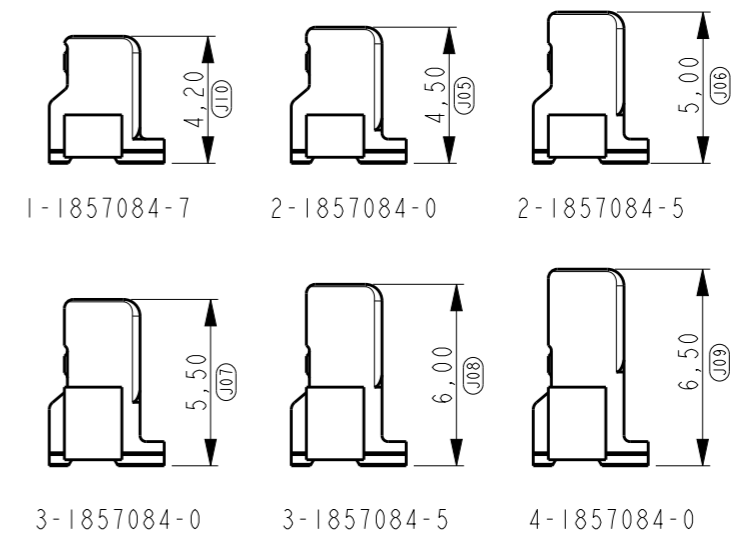
THIS DRAWING IS UNPUBLISHED. RELEASED FOR PUBLICATION

© COPYRIGHT - BY - ALL RIGHTS RESERVED.

| LOC | DIST | REVISIONS | | | | | |
|-----|------|-----------|-----|-------------|------|-----|------|
| H | - | P | LTR | DESCRIPTION | DATE | DWN | APVD |
| | | | | SEE SHEET 1 | | | |
| | | | | | | | |
| | | | | | | | |

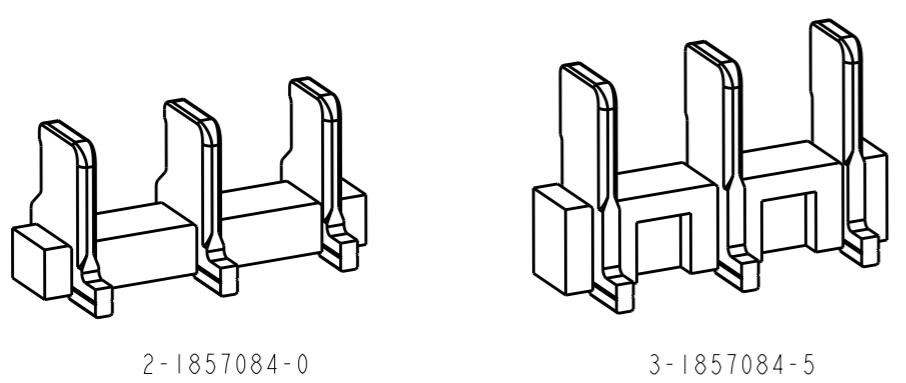


| NMP CODE | PART NUMBER | Z-NOMINAL RANGE | DIMENSION "A" | DIMENSION "B" | MASS [mg] | +Z DIRECTION MOVEMENT (REF SHEET 3) |
|----------|-------------|------------------|---------------|---------------|-----------|-------------------------------------|
| 5469254 | 1-1857084-7 | >1,7 (1,8 - 2,2) | 4,20 | 1,60 | 159 | +0,40 |
| 5469741 | 2-1857084-0 | >2,0 (2,1 - 2,5) | 4,50 | 1,60 | 174 | +0,70 |
| 5469743 | 2-1857084-5 | >2,5 (2,6 - 3,0) | 5,00 | 1,60 | 189 | +0,70 |
| 5469745 | 3-1857084-0 | >3,0 (3,1 - 3,5) | 5,50 | 2,60 | 219 | +0,70 |
| 5469747 | 3-1857084-5 | >3,5 (3,6 - 4,0) | 6,00 | 2,60 | 235 | +0,70 |
| 5469749 | 4-1857084-0 | >4,0 (4,1 - 4,5) | 6,50 | 2,60 | 251 | +0,70 |



PRODUCT SELECTION

OBSOLETE



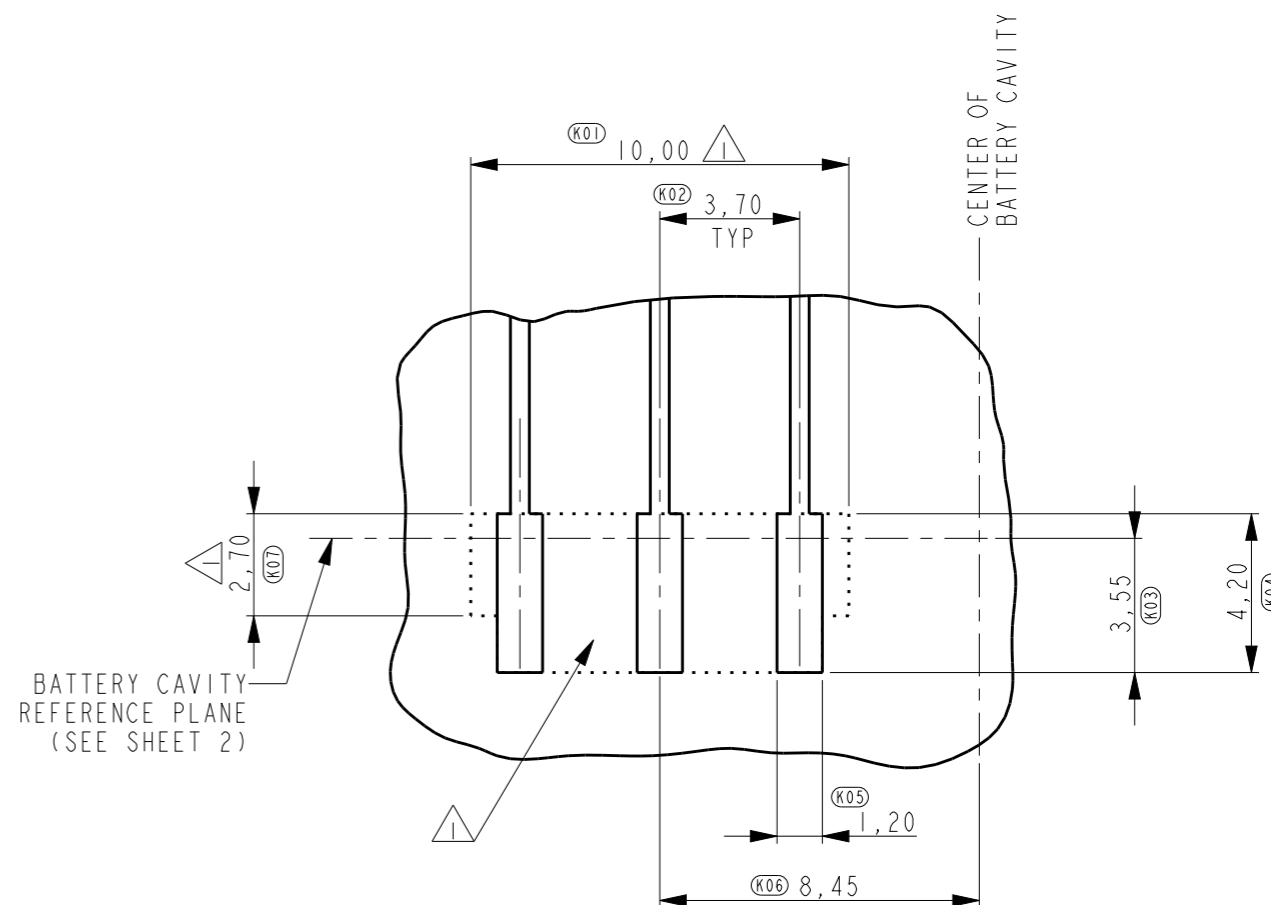
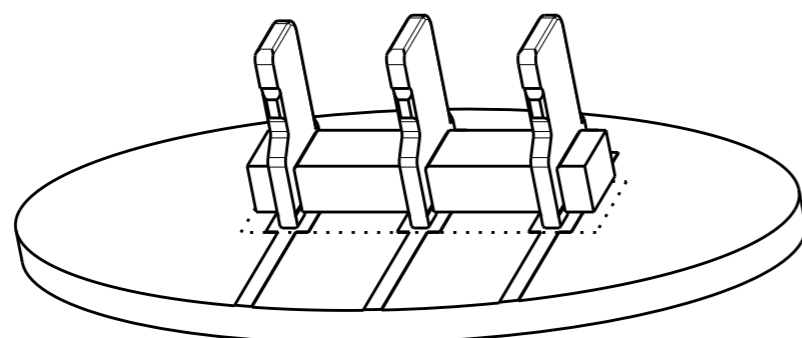
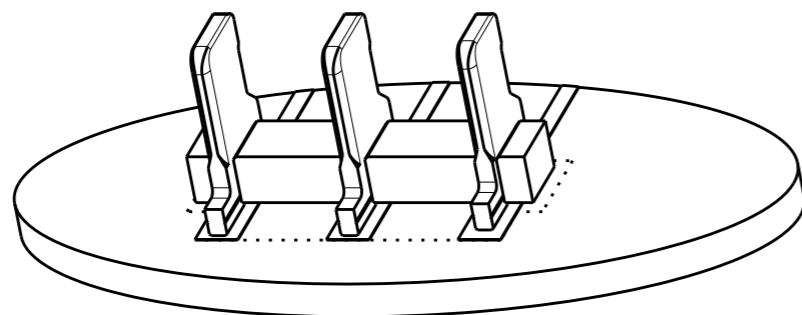
| | | | | | |
|--|--|---|--|------------------------|-----------------|
| THIS DRAWING IS A CONTROLLED DOCUMENT. | | DWN J. Tuin 29 APR 2005 | | TE Connectivity | |
| DIMENSIONS: mm | | CHK J. Tuin 29 APR 2005 | | | |
| | | TOLERANCES UNLESS OTHERWISE SPECIFIED: | | NAME | |
| | | 0 PLC ±- 1 PLC ±0,2 2 PLC ±0,1 3 PLC ±- 4 PLC ±- ANGLES ±- | | D. Halberstadt | |
| MATERIAL - | | FINISH - | | PRODUCT SPEC 108-19276 | |
| | | | | APPLICATION SPEC - | |
| | | | | WEIGHT - | |
| | | | | CUSTOMER DRAWING | |
| | | | | SIZE A3 | CAGE CODE 00779 |
| | | | | DRAWING NO C=1857084 | |
| | | | | SCALE 10:1 | SHEET 3 OF 5 |
| | | | | REV J2 | |

THIS DRAWING IS UNPUBLISHED.

RELEASED FOR PUBLICATION

© COPYRIGHT - BY - ALL RIGHTS RESERVED.


| LOC | DIST | REVISIONS | | | |
|-----|------|-------------|------|-----|------|
| P | LTR | DESCRIPTION | DATE | DWN | APVD |
| H | - | SEE SHEET 1 | - | - | - |
| | | | | | |
| | | | | | |



OBSOLETE

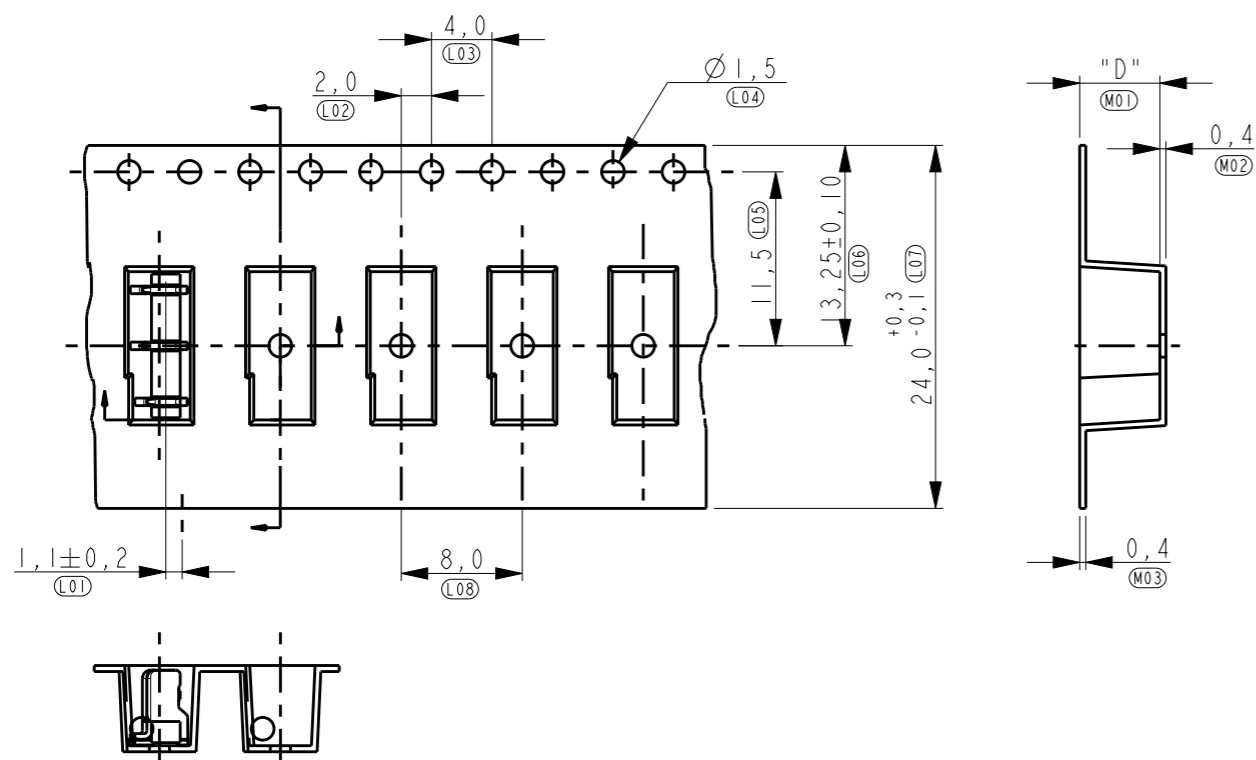
NOTES:

△ AREA FREE OF SOLDER SCREEN.

| | | | | |
|--|--|---------------------------------------|---|--------------------|
| THIS DRAWING IS A CONTROLLED DOCUMENT. | | DWN J. Tuin 29 APR 2005 |  TE Connectivity | |
| DIMENSIONS: mm | | CHK J. Tuin 29 APR 2005 | | |
| TOLERANCES UNLESS OTHERWISE SPECIFIED: | | APVD D. Halberstadt 29 APR 2005 | NAME PLUG CONNECTOR UTB, 3 POSITION BATTERY BLOCK | |
| 0 PLC ±- | | PRODUCT SPEC 108-19276 | RESTRICTED TO | |
| 1 PLC ±0,2 | | APPLICATION SPEC - | SIZE A3 | CAGE CODE 00779 |
| 2 PLC ±0,1 | | WEIGHT - | DRAWING NO C-1857084 | |
| 3 PLC ±- | | CUSTOMER DRAWING | SCALE 10:1 | SHEET 4 OF 5 |
| 4 PLC ±- | | | REV J2 | |
| ANGLES ±- | | | | |
| FINISH - | | | | |

THIS DRAWING IS UNPUBLISHED. RELEASED FOR PUBLICATION
 © COPYRIGHT - BY - ALL RIGHTS RESERVED.

| LOC | DIST | REVISIONS | | | | | |
|-----|------|-----------|-----|-------------|------|-----|------|
| H | - | P | LTR | DESCRIPTION | DATE | DWN | APVD |
| | | | - | SEE SHEET 1 | | | |




X-1857084-X
UNREEL DIRECTION

| PART NUMBER | QUANTITY PER REEL | DIMENSION "D" |
|-------------|-------------------|---------------|
| 1-1857084-7 | 1300 | 4,8 |
| 2-1857084-0 | 1300 | 4,8 |
| 2-1857084-5 | 1300 | 5,3 |
| 3-1857084-0 | 1000 | 6,9 |
| 3-1857084-5 | 1000 | 6,9 |
| 4-1857084-0 | 1000 | 6,9 |

NOTES:

1 REEL DIMENSION: 330x101x24,4.

OBSOLETE

| | | | | | |
|---|--|---------------------------------------|---|--------------------|-------------------------|
| THIS DRAWING IS A CONTROLLED DOCUMENT. | | DWN J. Tuin 29 APR 2005 |  TE Connectivity | | |
| DIMENSIONS: mm | | CHK J. Tuin 29 APR 2005 | | | |
| TOLERANCES UNLESS OTHERWISE SPECIFIED: | | APVD D. Halberstadt 29 APR 2005 | NAME PLUG CONNECTOR UTB, 3 POSITION BATTERY BLOCK | | |
| 0 PLC ±- 1 PLC ±0,2 2 PLC ±0,1 3 PLC ±- 4 PLC ±- ANGLES ±- | | PRODUCT SPEC 108-19276 | RESTRICTED TO | | |
| MATERIAL - | | APPLICATION SPEC - | SIZE A3 | CAGE CODE 00779 | DRAWING NO C-1857084 |
| FINISH - | | WEIGHT - | SCALE 10:1 SHEET 5 OF 5 REV J2 | | |
| CUSTOMER DRAWING | | | | | |

单击下面可查看定价，库存，交付和生命周期等信息

[>>TE Connectivity\(泰科\)](#)