

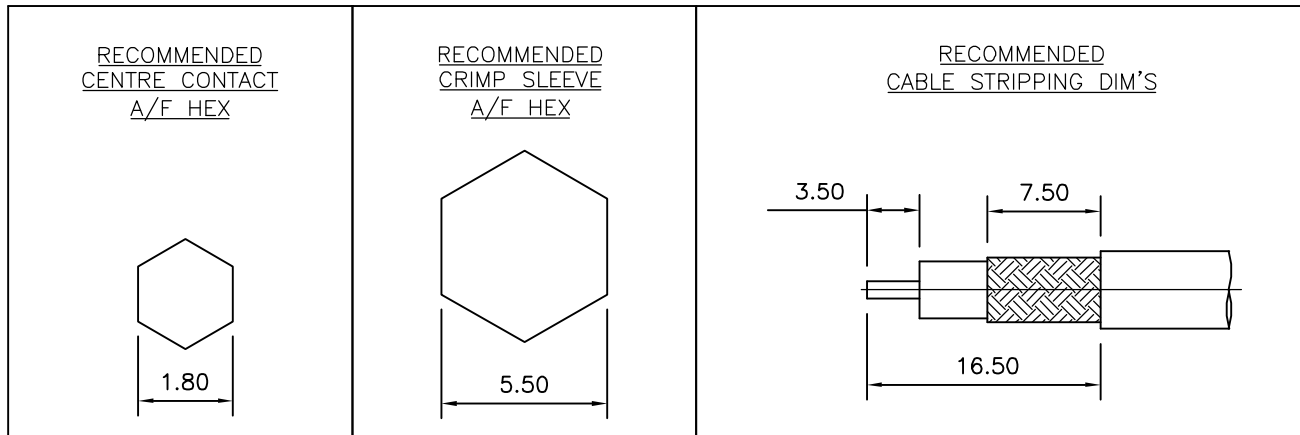
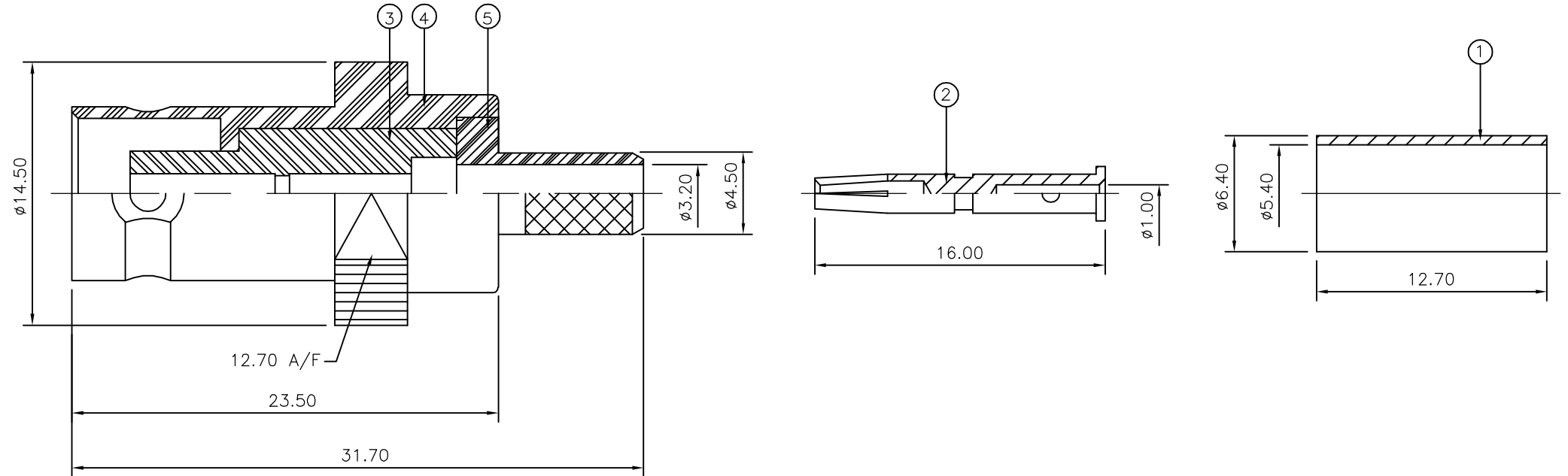
THIS DRAWING IS UNPUBLISHED. RELEASED FOR PUBLICATION NOV ,2005.

© COPYRIGHT 2005 BY TYCO ELECTRONICS CORPORATION. ALL RIGHTS RESERVED.

LOC	DIST	REVISIONS					
E	B	P	LTR	DESCRIPTION	DATE	DWN	APVD
		C		ECR-05-016219	24NOV05	JMS	FWK

NOTES:

- ① PACK IN ACCORDANCE WITH AMP SPEC 107-3275
- ② 100 TRAY PACK IN ACCORDANCE WITH AMP SPEC 107-3275
- ③ Ag PLATING
- 4 HAND TOOL : 9-1478240-0
- 5 DIE SET : 9-1478242-0
- 6 ELECTRICAL CHARACTERISTICS
  - FREQUENCY RANGE: DC - 4 GHz
  - NOMINAL IMPEDANCE: 50 Ohm
  - INSULATION RESISTANCE: 5000 MOhm
  - WORKING VOLTAGE: 500 Volts RMS at Sea Level
  - DIELECTRIC WITHSTAND VOLTAGE: 1500 Volts RMS Max
  - CONTACT RESISTANCE:
    - CENTRE CONTACT: 1.50 mOhm Max
    - OUTER CONTACT: 0.20 mOhm Max
  - VSWR @ 4GHz: 1.30:1 Max
  - INSERTION LOSS dB @ x 3 GHz: 0.20 Max
- 7 MECHANICAL CHARACTERISTICS
  - COUPLING NUT RETENTION FORCE: N/A
  - CABLE RETENTION FORCE: 170N Min
  - DURABILITY: 500 Cycles Min
- 8 ENVIRONMENTAL CHARACTERISTICS
  - OPERATING TEMPERATURE: -65 to +165 DegC



QTY	PLC	LTR	MATERIAL	DESCRIPTION	ITEM
1	1		BRASS	CHASSIS	5
1	1		BRASS	BODY	4
1	1		PTFE	INSULATION	3
1	1		BRASS	CONTACT	2
1	1		BRASS	FERRULE	1
6--0	1--0		MATERIAL	DESCRIPTION	ITEM

QUANTITY PER ASSY		PARTS LIST	
DWN J.SANDWELL 24NOV05		Tyco Electronics Corporation	
CHK S.PARLOW 24NOV05		Bideford EX39 4HE	
APVD F.WHEELER-KING 24NOV05		NAME	
PRODUCT SPEC 108-3435		BNC STRAIGHT JACK CRIMP 50 OHM	
APPLICATION SPEC 411-3247		RG58C/U, 141A/U, URM43, 76, KX15	
SIZE A3	CAGE CODE 00779	DRAWING NO C-1337442	RESTRICTED TO -
CUSTOMER DRAWING		SCALE NTS	SHEET 1 OF 1 REV C

THIS DRAWING IS A CONTROLLED DOCUMENT.	
DIMENSIONS: mm	TOLERANCES UNLESS OTHERWISE SPECIFIED:
	0 PLC ± -
	1 PLC ± -
	2 PLC ± -
	3 PLC ± -
	4 PLC ± -
	ANGLES ± -
MATERIAL SEE TABLE	FINISH -

单击下面可查看定价，库存，交付和生命周期等信息

[>>TE Connectivity\(泰科\)](#)