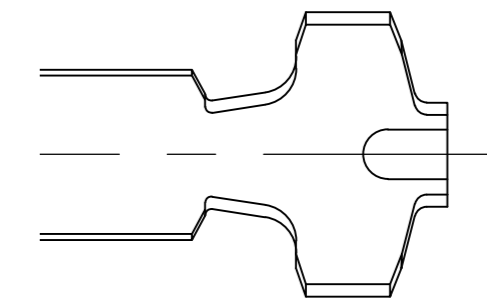
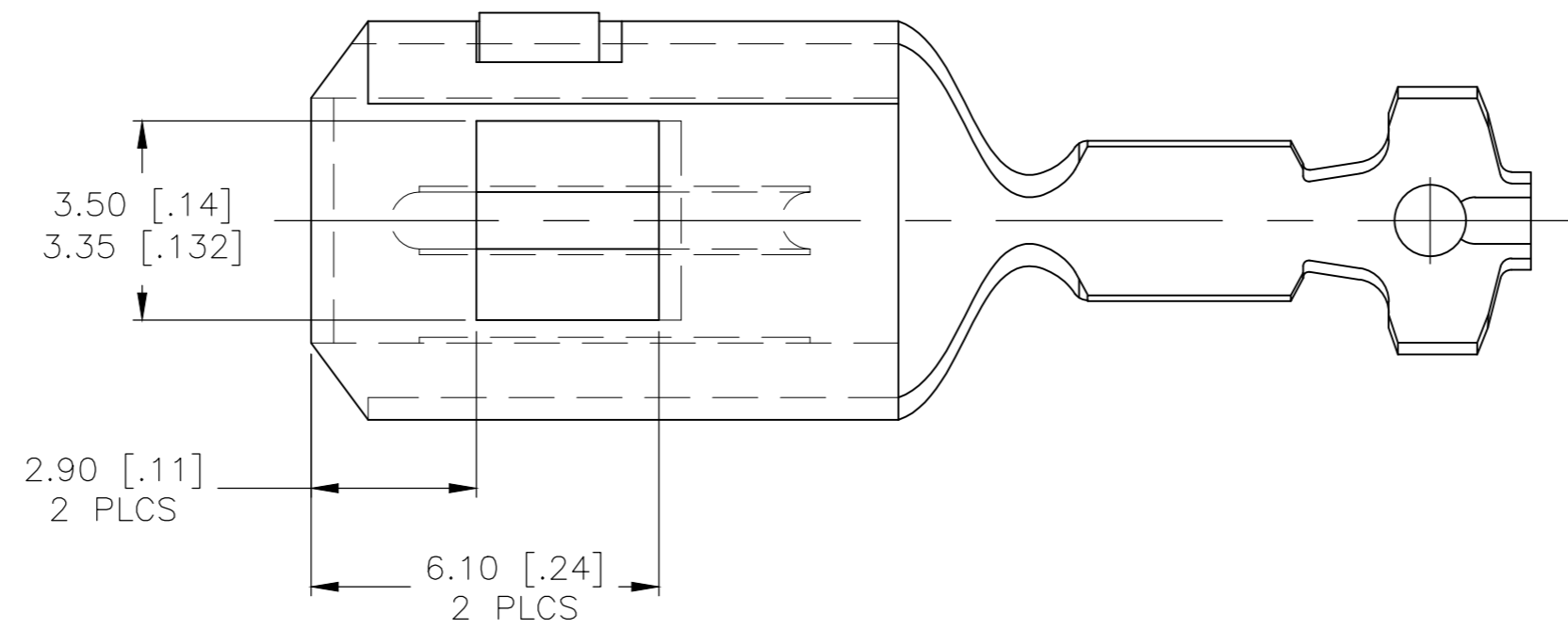
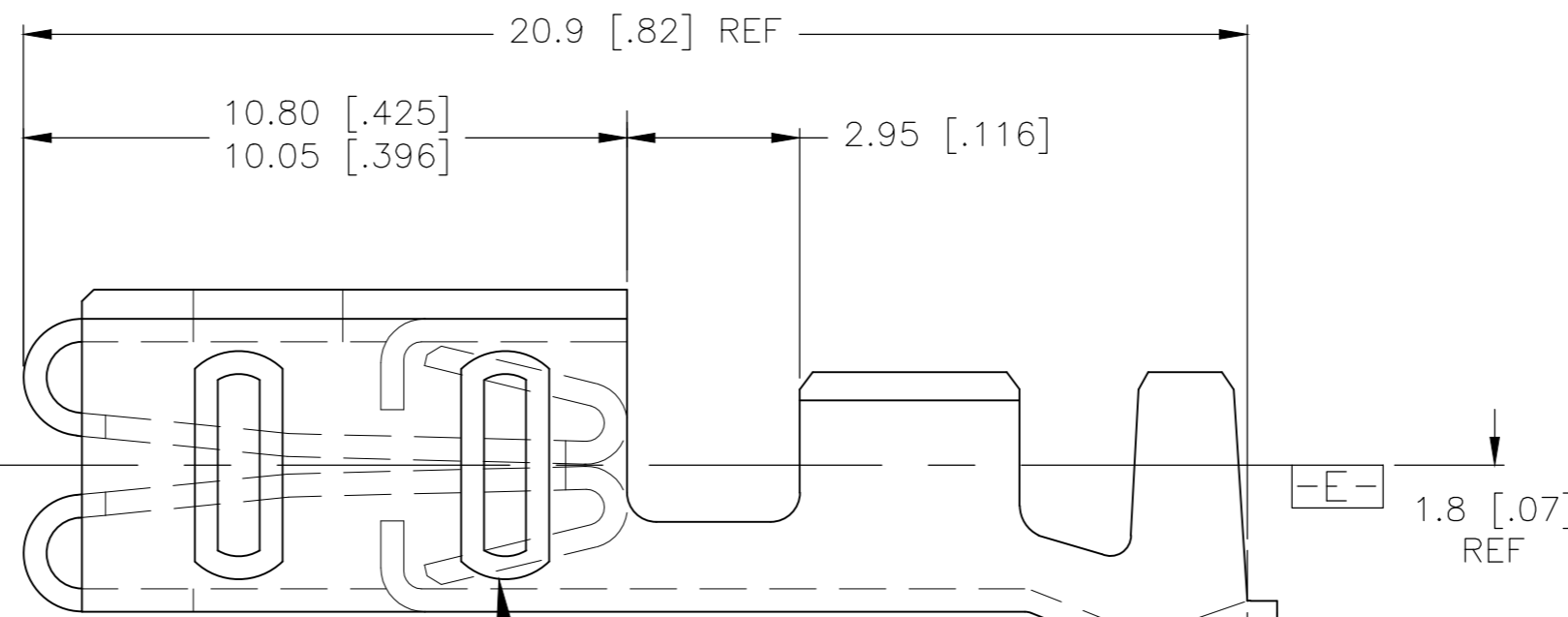
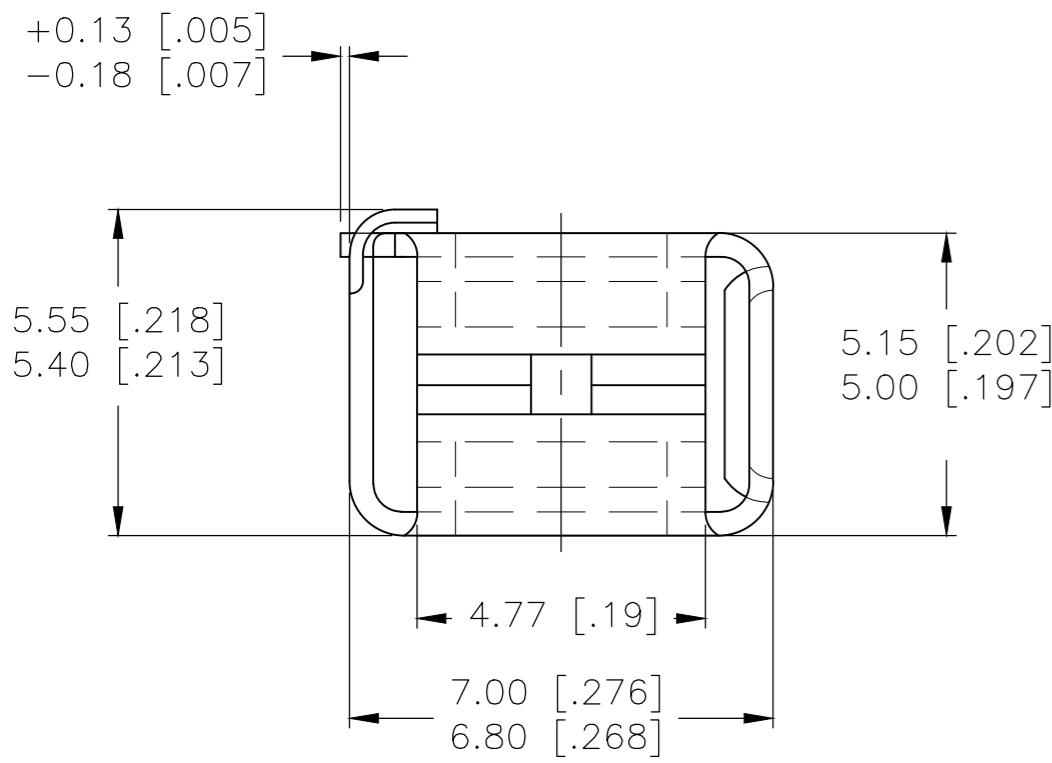


REVISIONS					
P	LTR	DESCRIPTION	DATE	DWN	APVD
C		REVISED PER ECO-19-002290	02APR2019	JMS	WW

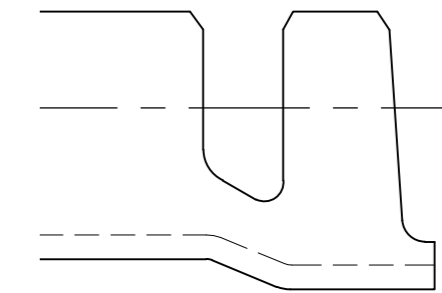


-13 ONLY



OPTIONAL CONSTRUCTION
 2 STRENGTHENING RIBS
 TO ASSIST IN FORMING

0.50 [.020] MAX
 AFTER CRIMPING



-13 ONLY

MATERIAL:

- A. N/A
- B. N/A
- C. UNS-C26000 BRASS
- D. BERYLLIUM COPPER ALLOY UNS-C17410.
- E. UNS-C19400 COPPER

FINISH: HOT TIN DIP PRE TIN STRIP

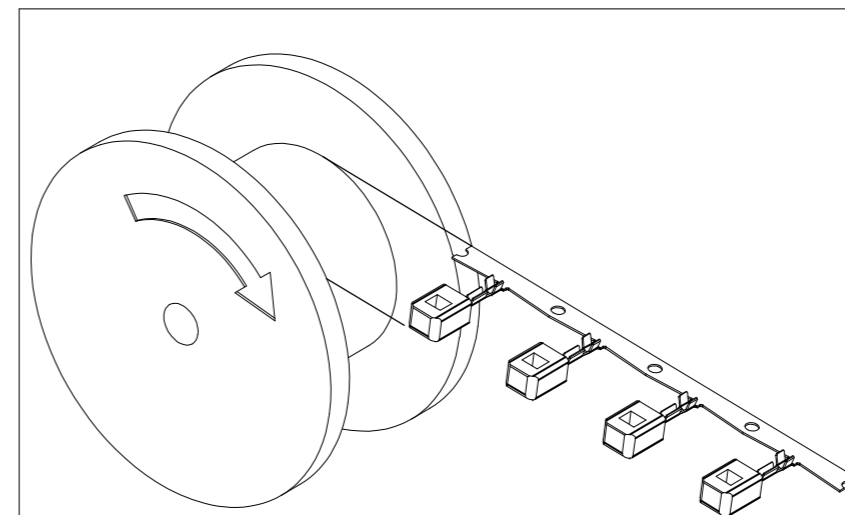


FIG. 1

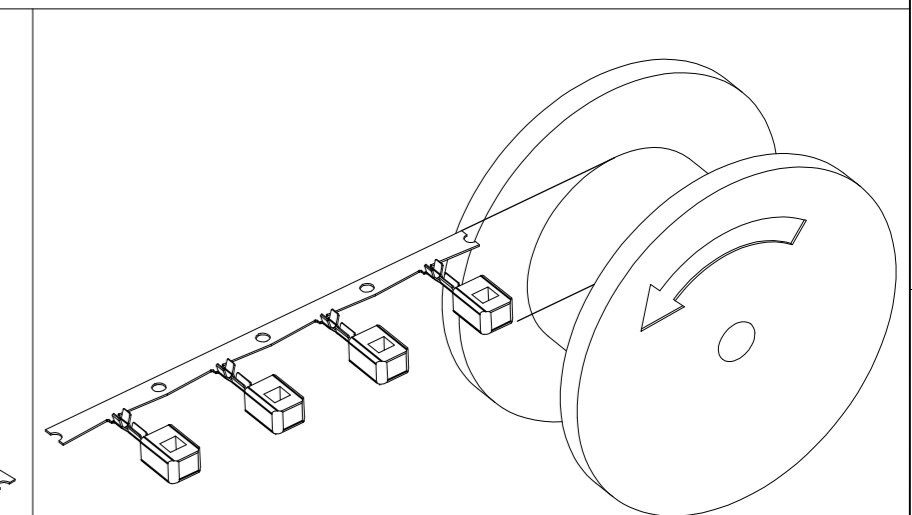


FIG. 2

14	LIGHT	-	E8EB-14474 UA	1-1438243-1	E
14	HEAVY	1438243-9	E8EB 14474 VA	1438243-2	C
18	HEAVY	1-1438243-2	E7EB 14474 EA	1438243-1	C
WIRE GAGE	DUTY	TE P/N REWOUND SEE FIG. 2	FORD P/N	TE P/N SEE FIG. 1	MAT'L

DIMENSIONS:		TOLERANCES UNLESS OTHERWISE SPECIFIED:		WINDING	
mm		0 PLC ± -	1 PLC ± 0.2	DWN JR BUSSARD 03 JUNE 2003	
		2 PLC ± 0.15	3 PLC ± -	CHK DM REVAK 03 JUNE 2003	
SEE NOTES		4 PLC ± -	ANGLES ± 3°	APVD DM REVAK 03 JUNE 2003	
SEE NOTES		FINISH		PRODUCT SPEC	
MATERIAL		FINISH		APPLICATION SPEC	
SEE NOTES		SEE NOTES		WEIGHT 0	
SEE NOTES		SEE NOTES		CUSTOMER DRAWING	
MATERIAL		FINISH		NAME	
SEE NOTES		SEE NOTES		TE Connectivity Ltd.	
SEE NOTES		SEE NOTES		WIRE SNAP-ON TERMINAL - FEMALE	
SEE NOTES		SEE NOTES		SIZE A2	
SEE NOTES		SEE NOTES		CAGE CODE 00779	
SEE NOTES		SEE NOTES		DRAWING NO. 1438243	
SEE NOTES		SEE NOTES		RESTRICTED TO	
SEE NOTES		SEE NOTES		SCALE 4:1	
SEE NOTES		SEE NOTES		SHEET 1 of 1	
SEE NOTES		SEE NOTES		REV C	

单击下面可查看定价，库存，交付和生命周期等信息

[>>TE Connectivity\(泰科\)](#)