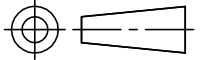


DO NOT SCALE

DIMENSIONS IN INCH

INCH

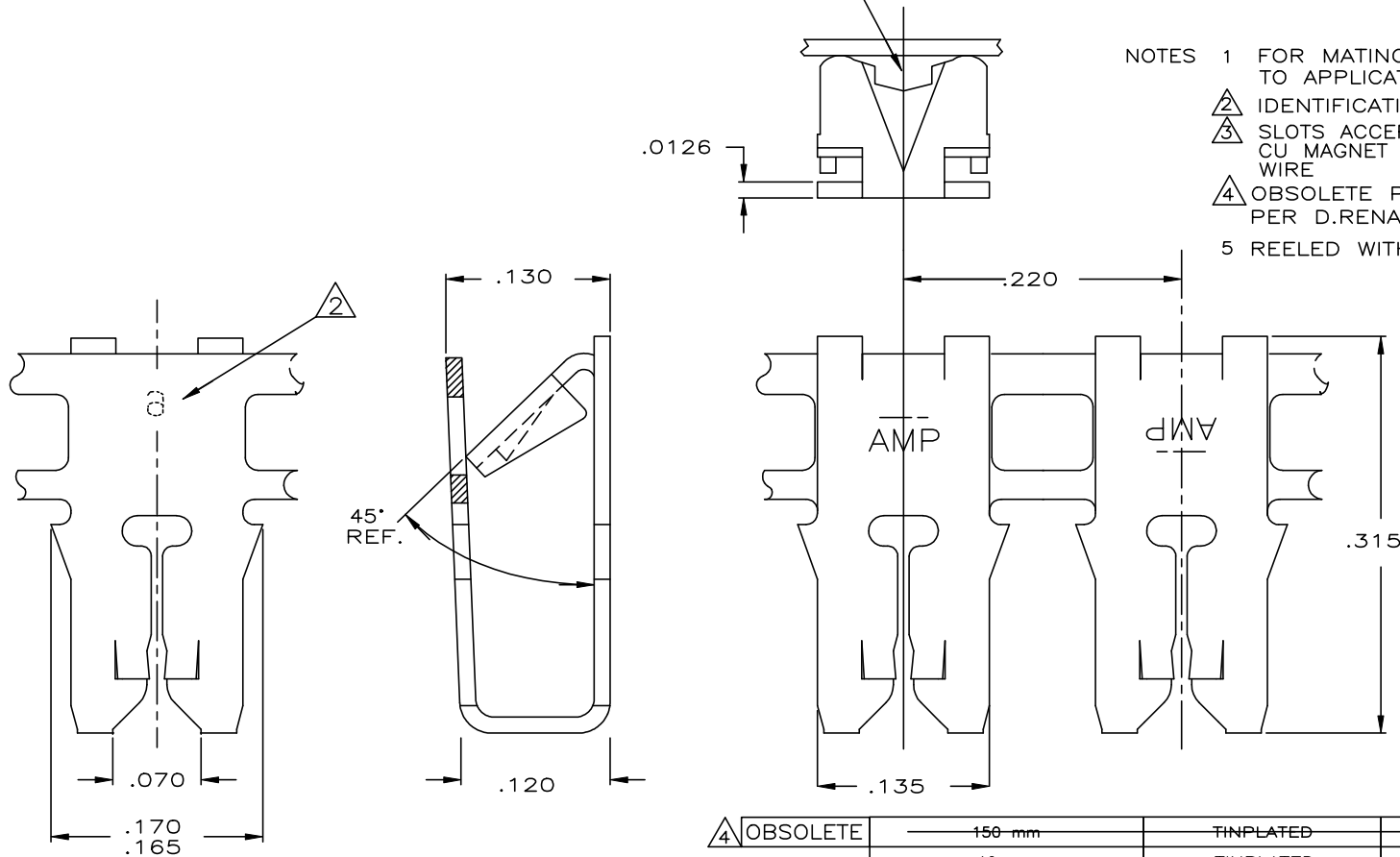
THIRD ANGLE
PROJECTION



REV	REVISION RECORD	DATE	DW	APD
A2	REVISED PER ECR-19-015041	05NOV2019	PC	MB

TO ACCEPT AWG 20 OR AWG 18 SOLID
OR FUSED STRANDED LEAD WIRE

- NOTES
- 1 FOR MATING CAVITY SPECIFICATIONS REFER TO APPLICATION SPEC. #114-2046
 - 2 IDENTIFICATION NUMBER FOR SLOT SIZE "6"
 - 3 SLOTS ACCEPT SINGLE OR DOUBLE AWG 30-27 CU MAGNET WIRE OR AWG 28-25 AL MAGNET WIRE
 - 4 OBSOLETE PARTS: OBSOLETE CIS STREAMLINING PER D.RENAUD/D.SINISI
 - 5 REELED WITH INTERLEAVE PAPER.



4 OBSOLETE	150 mm	TINPLATED	BRASS	160899-5
	12 mm	TINPLATED	BRASS	160899-4
	REELWIDTH	FINISH	MATERIAL	PARTNUMBER

CUSTOMER
DRAWING

STE TE Connectivity

FOR REFERENCE ONLY
WILL NOT BE UPDATED

~~THIS DRAWING IS UNPUBLISHED~~ RELEASED FOR PUBLICATION APRIL, 1985

© COPYRIGHT 19 86,87,88 BY AMP-HOLLAND B.V.
ALL INTERNATIONAL RIGHTS RESERVED.
AMP PRODUCTS MAY BE COVERED BY U.S. AND FOREIGN PATENTS AND/OR
PATENTS PENDING.

DR. D.CAMPSCHROER	DATE 30/05/85	WIRE RANGE 3	NAME MAG-MATE	REV.DATE D M Y 16 03 88
CHK. W.ESSER	DATE	INSUL.RANGE	POKE-IN TERMINAL	
APP. L.VAN SOEST	DATE	SIZE A3	SHEET 1 OF 1	DWG. No. 160899 REV.LTR. A2

8

7

5

4

3

2

1

A

C

D

E

F

单击下面可查看定价，库存，交付和生命周期等信息

[>>TE Connectivity\(泰科\)](#)