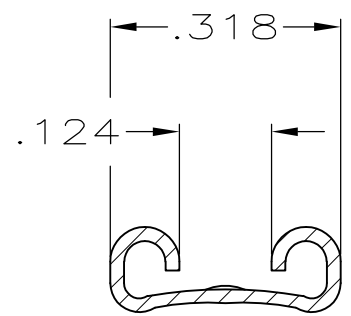
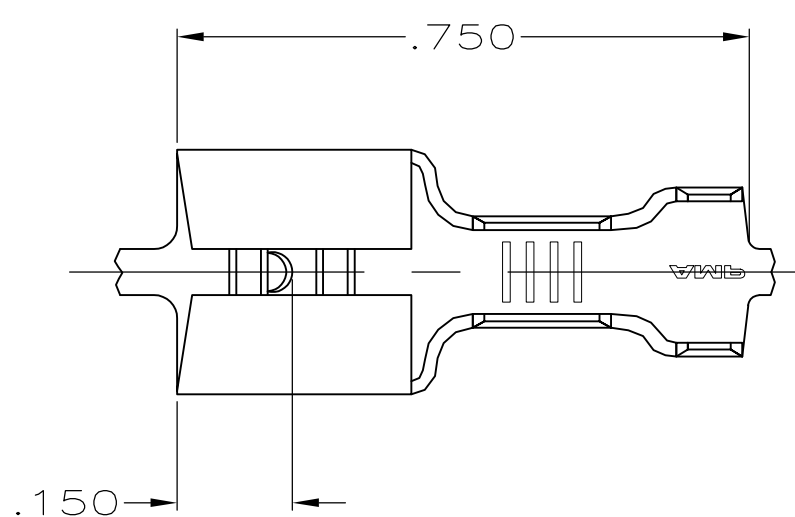


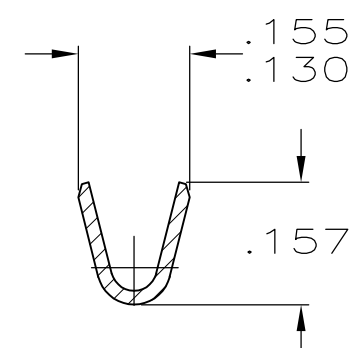
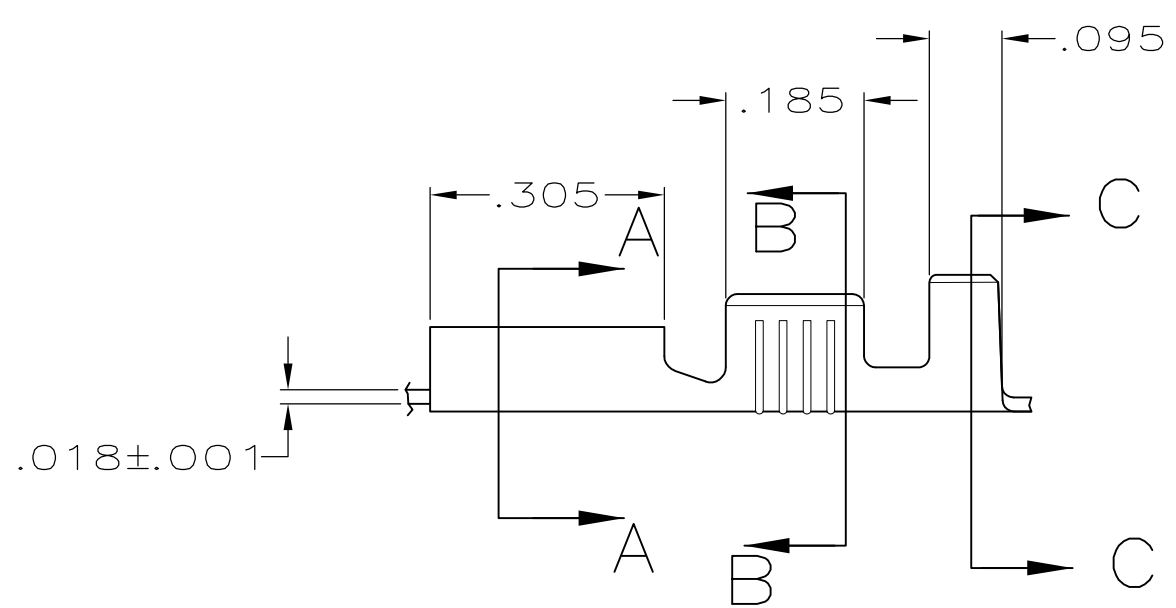
THIS DRAWING IS UNPUBLISHED. RELEASED FOR PUBLICATION
 © COPYRIGHT - By - ALL RIGHTS RESERVED.

LOC	DIST	REVISIONS			
P	LTR	DESCRIPTION	DATE	DWN	APVD
AF	50	E	REVISED PER ECR-11-018063	26DEC11	KH PD

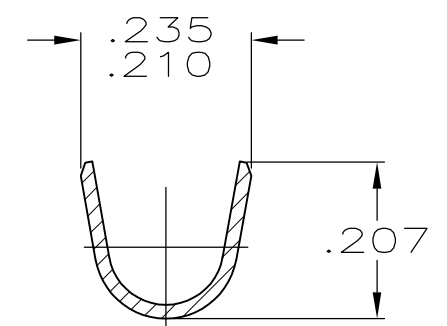
- 1 CONTINUOUS STRIP ON REELS.
- 2 ACCEPTS .032±.001 THICK MATING TAB
- 3 ACCEPTS #18-#14 AWG WIRE SIZE.
- 4 INSULATION RANGE TO BE .120-.170 DIA
- 5 FEED TO BE .840±.005.



SECTION A-A



SECTION B-B



SECTION C-C

TIN	62500-2
-	62500-1
FINISH	PART NO

THIS DRAWING IS A CONTROLLED DOCUMENT.		DWN	JR RUTH	8/30/95	TE Connectivity					
DIMENSIONS: INCHES		CHK	MS FEHER	8/30/95				NAME		
		APVD	J HUZVAR	8/30/95						
TOLERANCES UNLESS OTHERWISE SPECIFIED:		PRODUCT SPEC						RESTRICTED TO		
0 PLC ± - 1 PLC ± - 2 PLC ± - 3 PLC ± .015 4 PLC ± - ANGLES ± -		APPLICATION SPEC			SIZE	CAGE CODE	DRAWING NO			
MATERIAL		FINISH			A300779			C-62500		
-		-			CUSTOMER DRAWING			SCALE 4:1		
					SHEET 1 OF 1			REV E		

单击下面可查看定价，库存，交付和生命周期等信息

[>>TE Connectivity\(泰科\)](#)