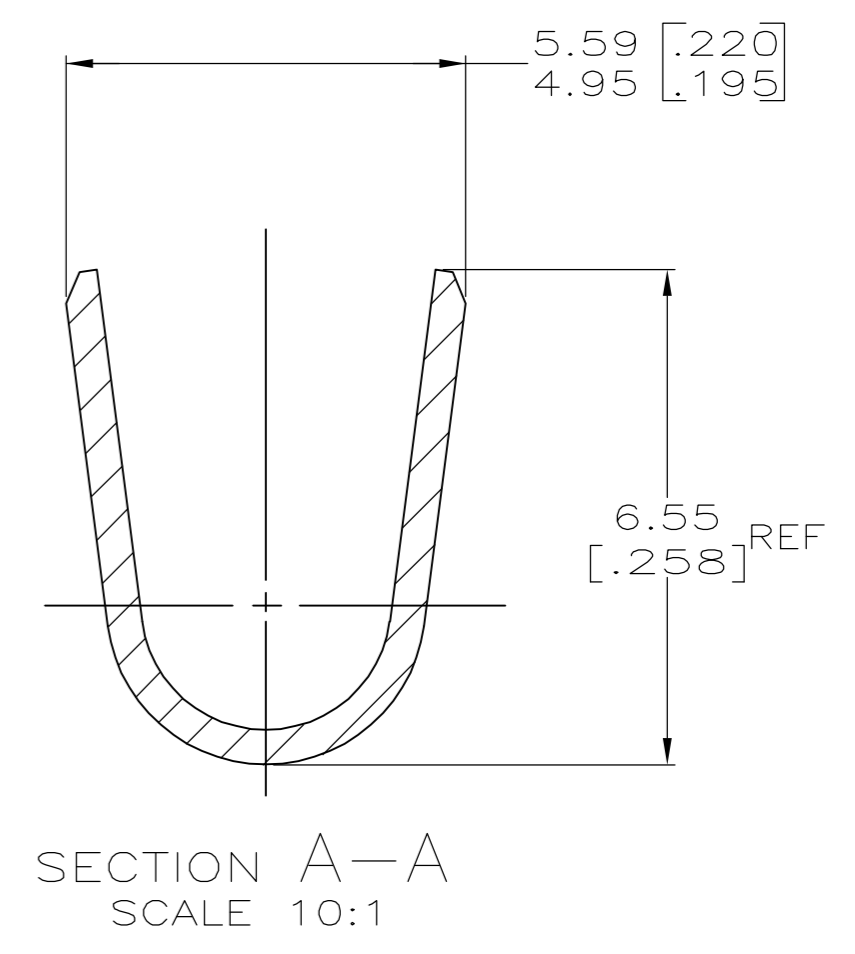
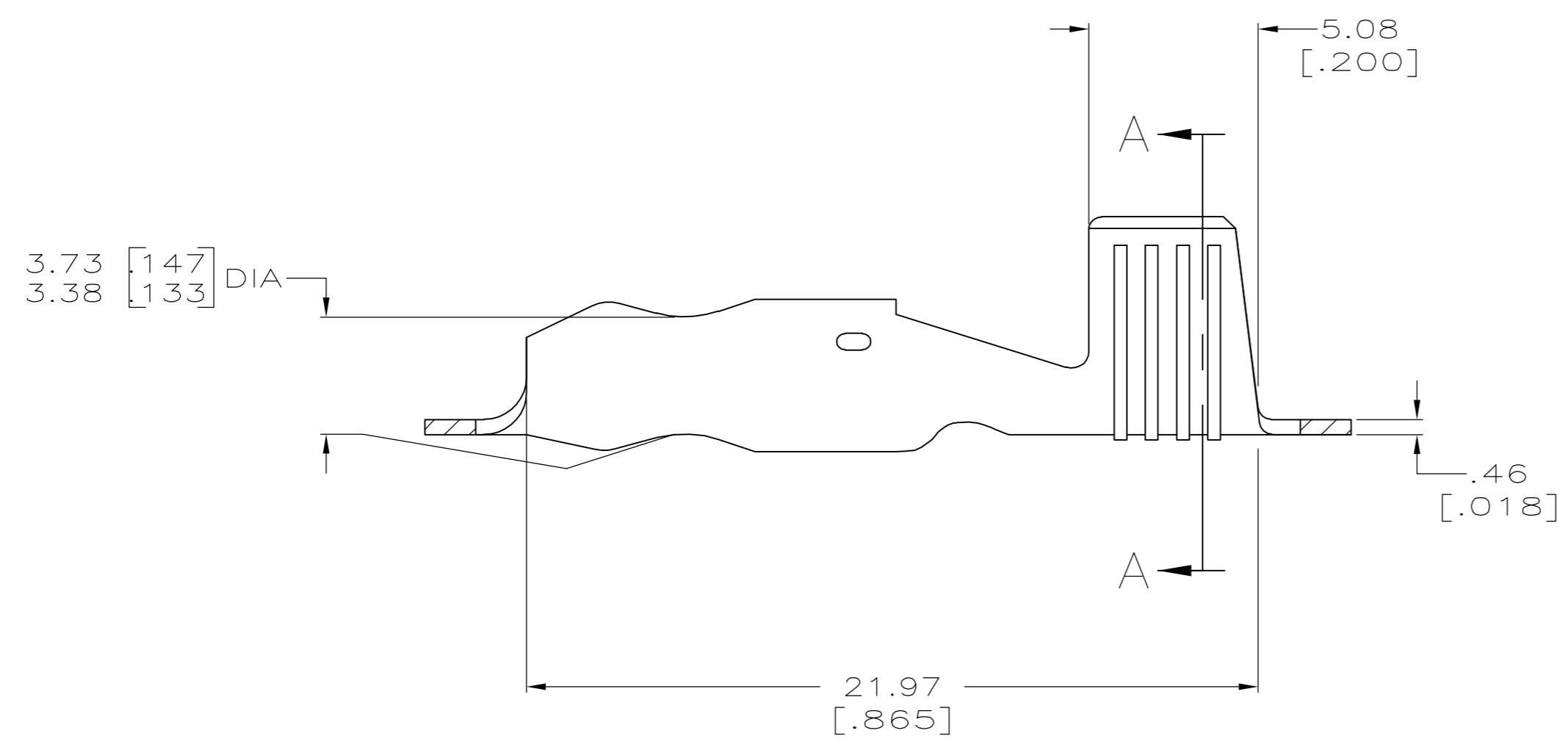
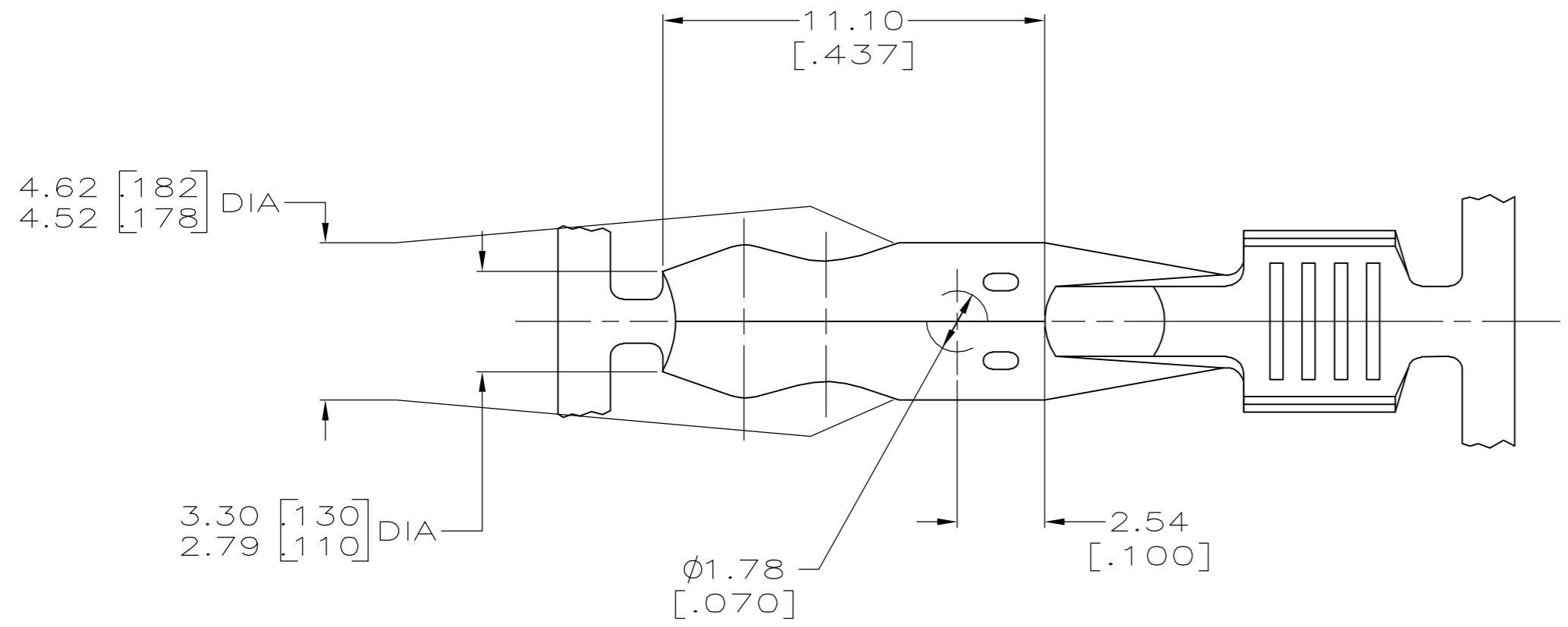


THIS DRAWING IS UNPUBLISHED. RELEASED FOR PUBLICATION
 © COPYRIGHT BY TYCO ELECTRONICS CORPORATION. ALL RIGHTS RESERVED.

LOC	DIST	REVISIONS			
P	LTR	DESCRIPTION	DATE	DWN	APVD
AF	50	E	REL PER 0G3A-0074-04	06FEB2004	RF DD

- 1 CONTINUOUS STRIP ON REELS.
- 2 WIRE SIZE IS #12-#10 OR FOUR #14'S AWG
- 3 PRELIMINARY - NOT FOR PRODUCTION.



0.00381 [.000150] MIN NICKEL	3 1217400-2
0.002032 [.000080] MIN TIN	1217400-1
FINISH	PART NUMBER

THIS DRAWING IS A CONTROLLED DOCUMENT.		DWN 19MAY2000 MICHAEL S. FEHER	tyco Tyco Electronics Corporation Harrisburg, PA 17105	
DIMENSIONS: MM		CHK 22MAY2000 DONALD DECKER	NAME SHUR-PLUG, 4.57[.180] DIA.	
TOLERANCES UNLESS OTHERWISE SPECIFIED:		APVD 22MAY2000 DONALD DECKER	PRODUCT SPEC	
0 PLC ± -		APPLICATION SPEC		
1 PLC ± -		114-2017		
2 PLC ± 0.25[.010]		WEIGHT -		
3 PLC ± -		SIZE A2 CAGE CODE 00779 C=1217400		
4 PLC ± -		DRAWING NO		
ANGLES ± -		RESTRICTED TO		
FINISH SEE TABLE		SCALE 6:1 SHEET 1 OF 1 REV E		
MATERIAL 081 BRASS		CUSTOMER DRAWING		

单击下面可查看定价，库存，交付和生命周期等信息

[>>TE Connectivity\(泰科\)](#)