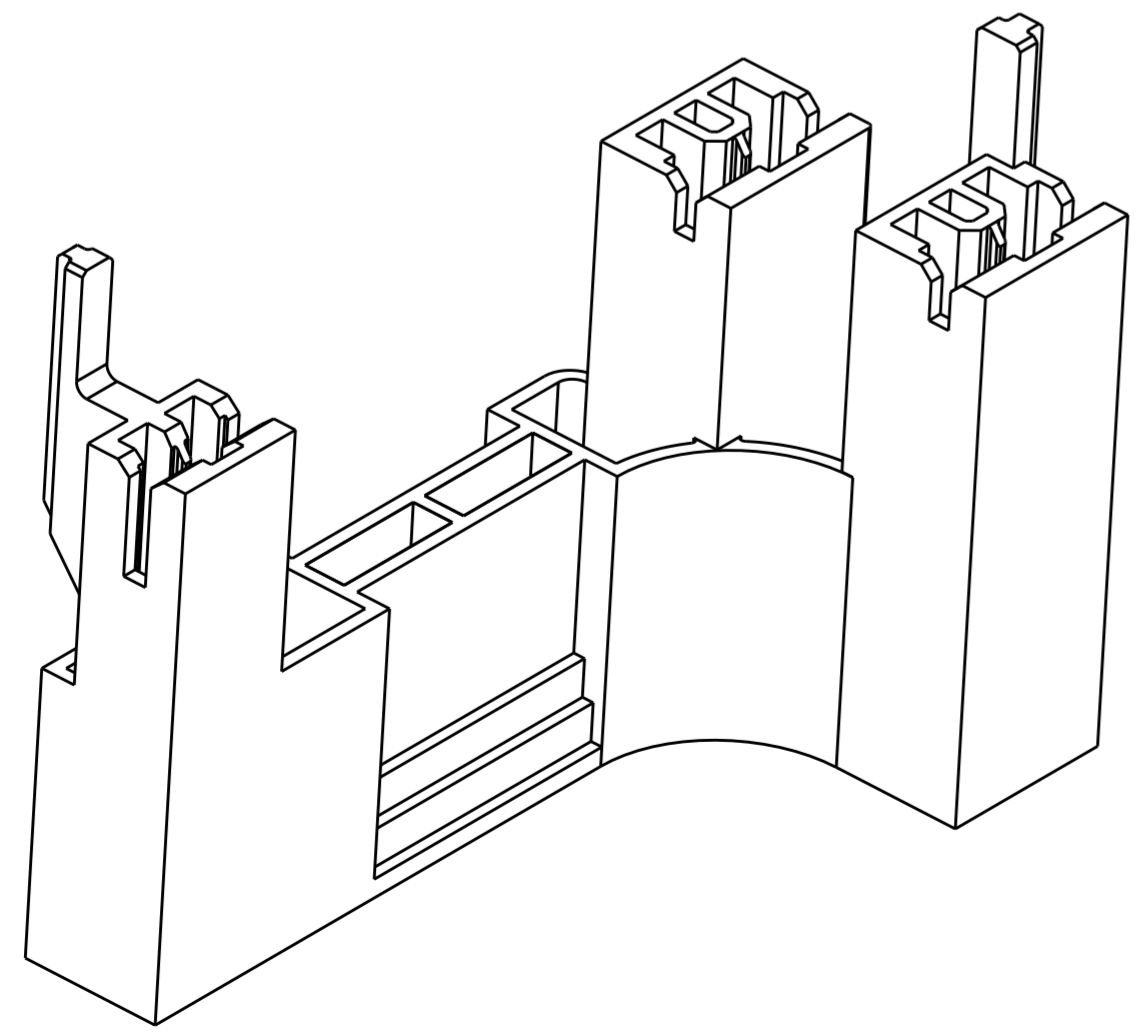
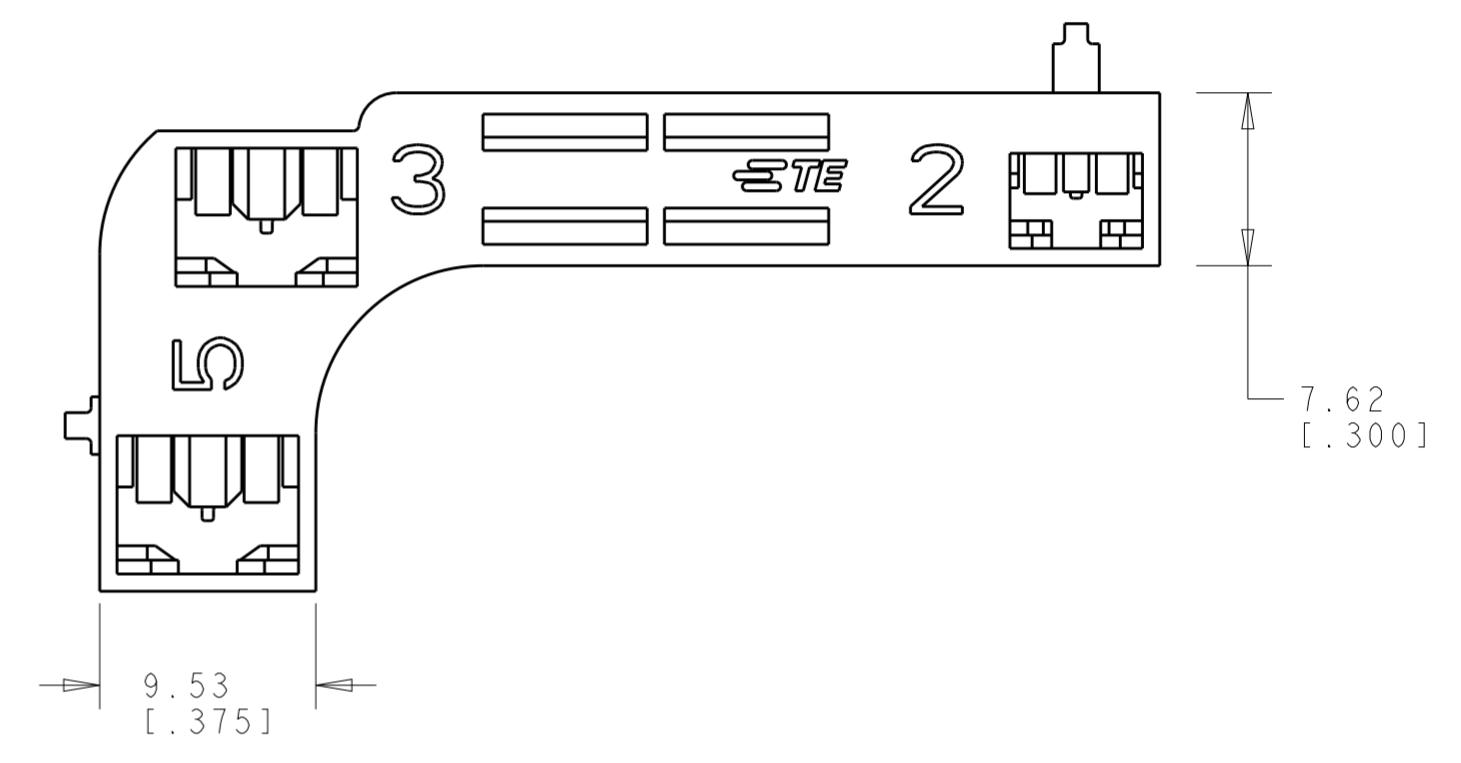
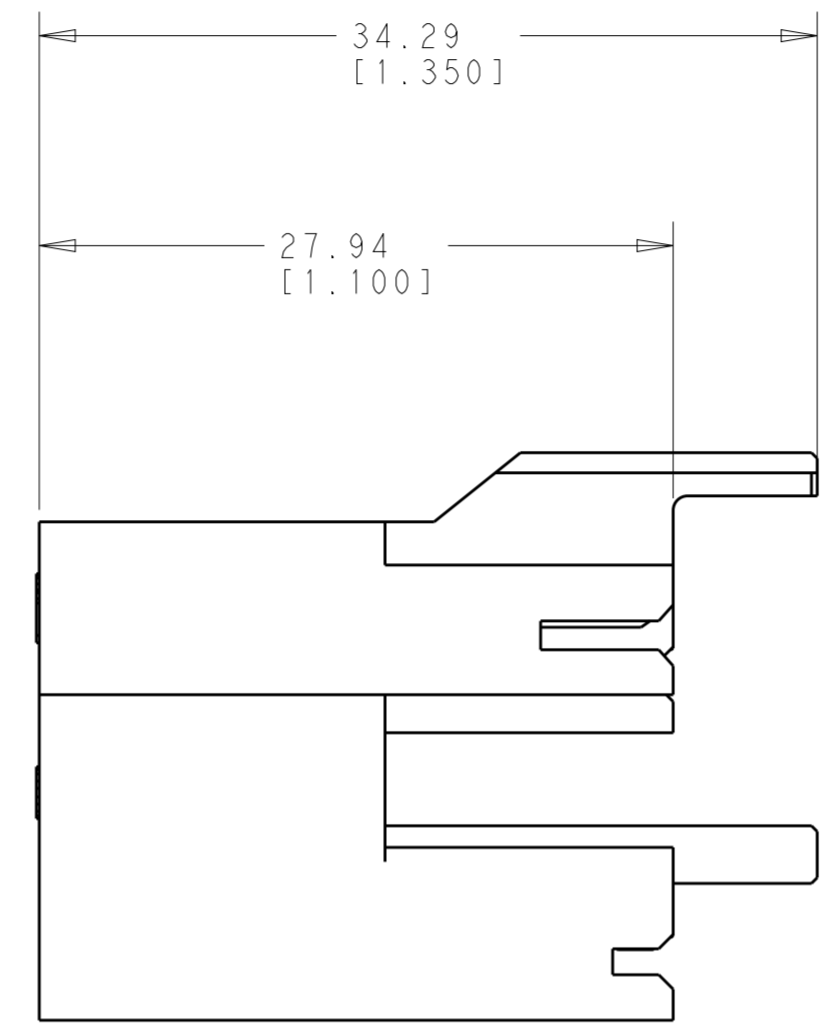
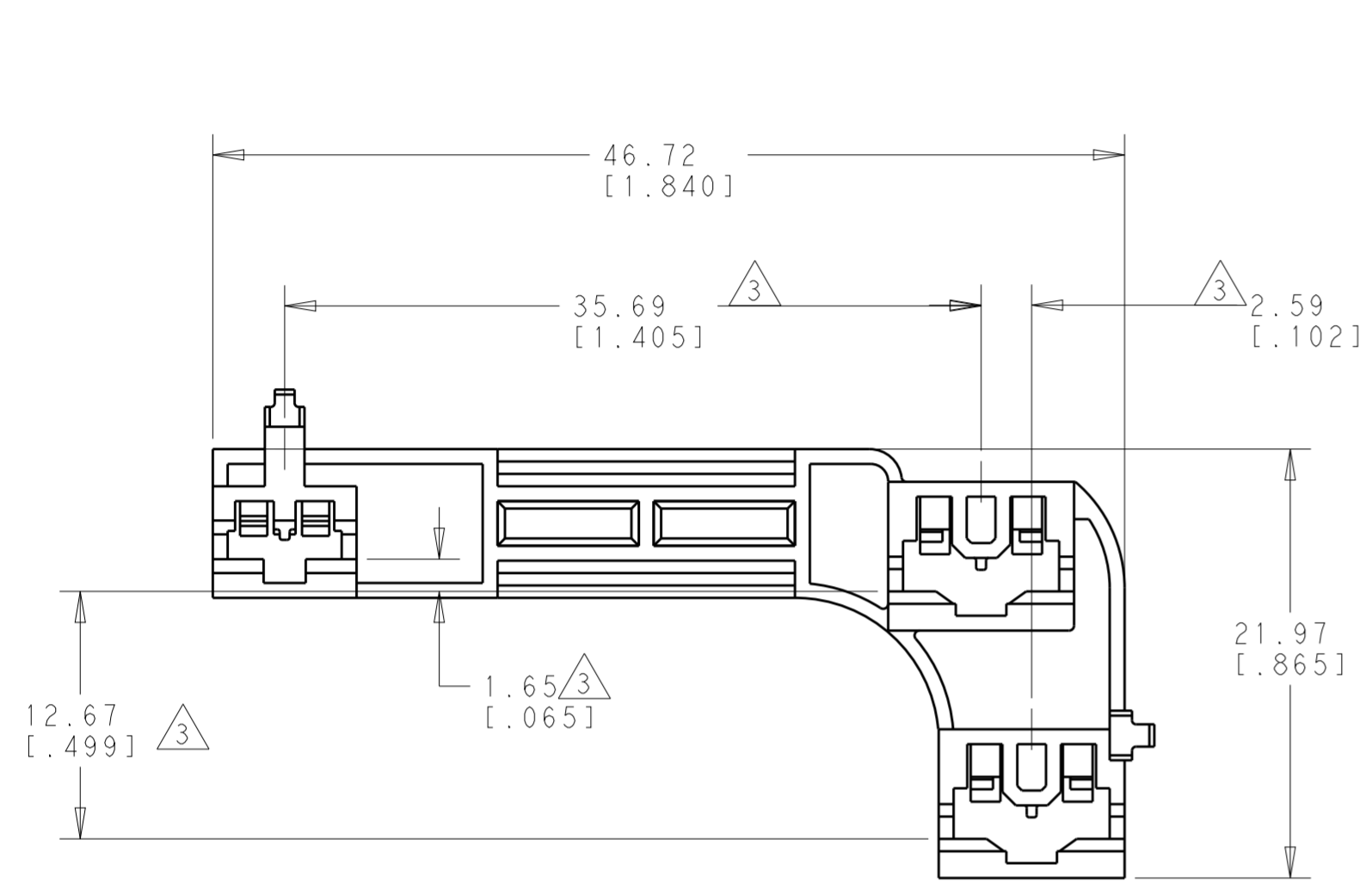


THIS DRAWING IS UNPUBLISHED. RELEASED FOR PUBLICATION
 © COPYRIGHT - BY - TE CONNECTIVITY ALL RIGHTS RESERVED.

REVISIONS					
P	LTR	DESCRIPTION	DATE	DWN	APVD
	A2	REVISED PER ECO-19-012700	16AUG2019	RS	LB

- USE WITH 250 SERIES MARK II POSITIVE LOCK TERMINALS 2238155, 2238156 OR 170329 AND 187 SERIES MARK II POSITIVE LOCK TERMINAL 173691
 - NOTE DELETED
- ③ SWITCH RECOMMENDED TAB LAYOUT TO BE WITHIN ±0.127 [0.005] OF TE HOUSING CENTERLINES AND CONFORM TO .250 X .032 AND .187 X .032 UL 310 DIMENSIONS



THIS DRAWING IS A CONTROLLED DOCUMENT.		DWN 17/FEB/2017 BASVESH WARAD	V0, 130C	NATURAL	1969870-1
DIMENSIONS: mm [INCHES]		CHK 17/FEB/2017 DIDONATO, MICHAEL	RATINGS	COLOR	PART NUMBER
TOLERANCES UNLESS OTHERWISE SPECIFIED:		APVD 17/FEB/2017 DIDONATO, MICHAEL	TE Connectivity 3 POS POSITIVE LOCK 250 & 187 MARK II		
0 PLC ± 1 PLC ± 2 PLC ±0.38 [0.015] 3 PLC ± 4 PLC ± ANGLES ±5° FINISH -		PRODUCT SPEC - APPLICATION SPEC - WEIGHT - CUSTOMER DRAWING			
MATERIAL NYLON		NAME 3 POS POSITIVE LOCK 250 & 187 MARK II	SIZE A2	CAGE CODE 00779	DRAWING NO C-1969870
			RESTRICTED TO -	SCALE 3:1	SHEET 1 OF 1
			REV A2		

单击下面可查看定价，库存，交付和生命周期等信息

[>>TE Connectivity\(泰科\)](#)