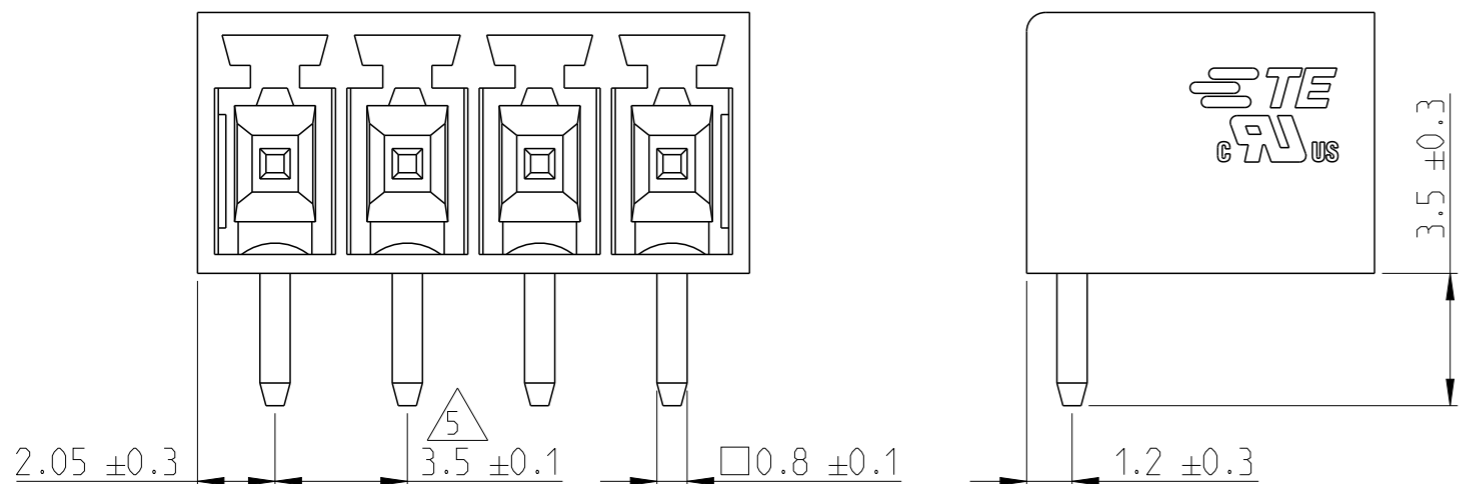
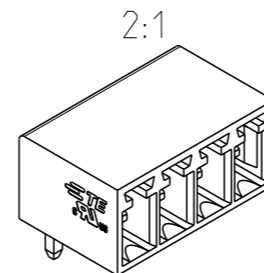
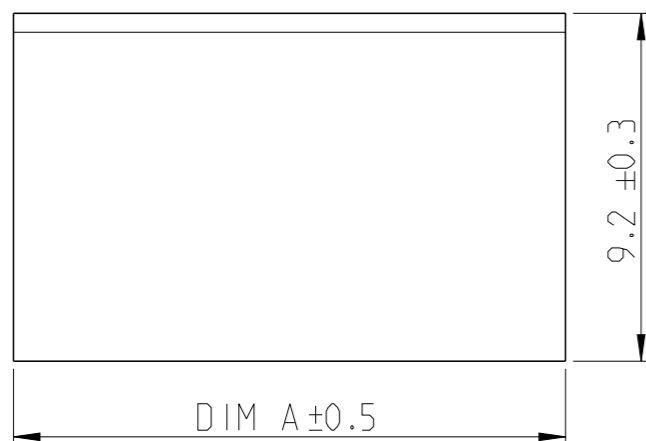


P	LTR	DESCRIPTION	DATE	DWN	APVD
A		RELEASED FOR PRODUCTION	06AUG2019	RK	PS

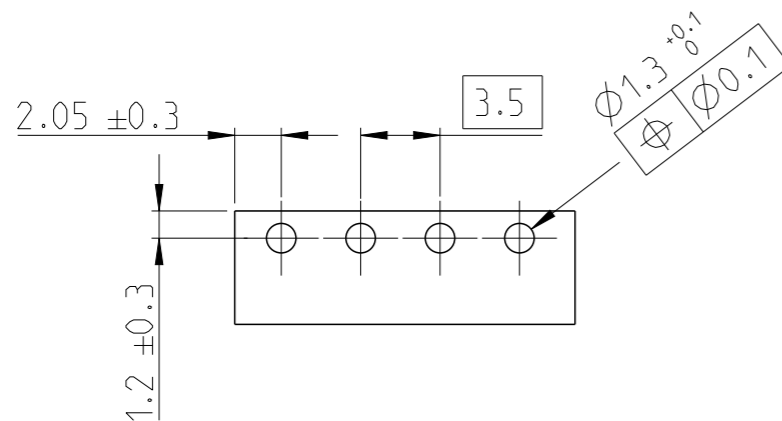


NOTES:

- MATERIAL AND FINISH:
HOUSING : POLYAMIDE 66, UL94V-0, COLOR GREEN.
TERMINAL : COPPER ALLOY, TIN PLATED.
 - MECHANICAL
MIN. PC BOARD HOLES DIAMETER : 1.3 mm
 - ELECTRICAL
RATED VOLTAGE : 150 V
RATED CURRENT : 12 A
INSULATION RESISTANCE : >2000 M Ohm (500V DC)
 - OPERATING TEMPERATURE RANGE: -40°C TO +105°C
- △ NOT CUMULATIVE TOLERANCE.



56.6	16	1-2350514-6
53.1	15	1-2350514-5
49.6	14	1-2350514-4
46.1	13	1-2350514-3
42.6	12	1-2350514-2
39.1	11	1-2350514-1
35.6	10	1-2350514-0
32.1	9	2350514-9
28.6	8	2350514-8
25.1	7	2350514-7
21.6	6	2350514-6
18.1	5	2350514-5
14.6	4	2350514-4
11.1	3	2350514-3
7.6	2	2350514-2
DIM A	NO. OF POS	PART NUMBER



RECOMMENDED PC BOARD LAYOUT

THIS DRAWING IS A CONTROLLED DOCUMENT.	
DIMENSIONS: mm	TOLERANCES UNLESS OTHERWISE SPECIFIED:
	0 PLC ±
	1 PLC ±
	2 PLC ±
	3 PLC ±
	4 PLC ±
	ANGLES ±
MATERIAL SEE NOTES	FINISH SEE NOTES

DWN	12APR2019
CHK	RAGHAVENDRA.K
CHK	KARTHIK.JK
APVD	01JUL2019
APVD	PRASHANTH.S
02JUL2019	
PRODUCT SPEC	-
APPLICATION SPEC	-
WEIGHT	-
CUSTOMER DRAWING	

TE Connectivity		NAME	
		HEADER 90 DEG. 3.5MM PITCH TAIL LENGTH 3.5mm	
SIZE	CAGE CODE	DRAWING NO	RESTRICTED TO
A3	00779	©-2350514	-
SCALE		SHEET	REV
3:1		1 OF 1	A

单击下面可查看定价，库存，交付和生命周期等信息

[>>TE Connectivity\(泰科\)](#)