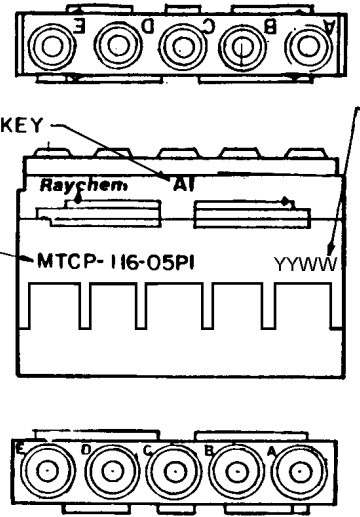


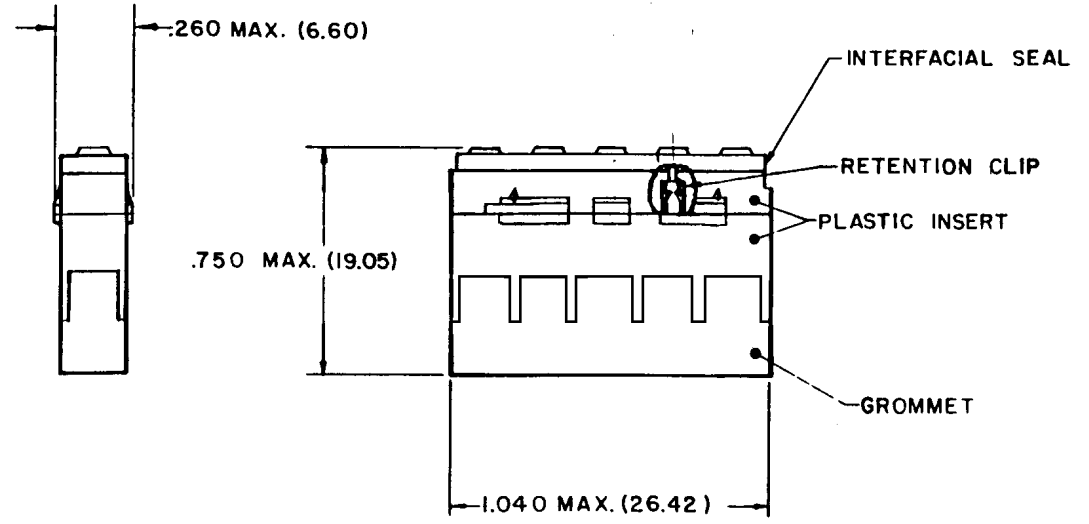
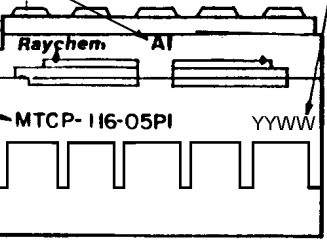
| REVISIONS | | | |
|-----------|--|-----------|----------|
| LTR | DESCRIPTION | DATE | APPROVED |
| B | RELEASED FOR PRODUCTION PER ECN T-013274 | 89 Nov 29 | <i>B</i> |
| C | REVISE PER DCR# T-22766 | 4/16/99 | M.HIGGY |



1. HOUSING ORIENTATION KEY

DATE CODE

RAYCHEM PART NO.



NOTES

- THIS INSERT IS DESIGNED FOR USE IN RAYCHEM CONNECTOR HOUSINGS MTC 100-JH1-XXX OR MTC 100-JH2-XXX (SEE RAYCHEM INFORMATION DRAWING D-659-0097 AND HOUSING SCD'S FOR FURTHER DETAILS)
- USE MIL-C-38999 SERIES 2 SIZE 16 CONTACTS OR EQUIVALENT. REFERENCE D-659-0097 FOR INSERTION/REMOVAL TOOLS, SEALING PLUGS AND CRIMP TOOLS WHEN APPLICABLE. THESE COMPONENTS ARE TO BE ORDERED SEPARATELY.
- GROMMET DESIGNED TO SEAL ON WIRES HAVING AN INSULATION DIAMETER OF .065 IN. (1.65 MM) TO .109 IN. (2.77 MM)
- PERFORMANCE:
THIS PRODUCT MEETS THE REQUIREMENTS OF RAYCHEM SPECIFICATION D-6115
- MATERIALS:
 A) PLASTIC INSERT HIGH GRADE POLYARYLENE THERMOPLASTIC
 B) GROMMET FLUROSILICONE PER MIL-R-25988
 C) INTERFACIAL SEAL FLUROSILICONE PER MIL-R-25988
 D) RETENTION CLIP BERYLLIUM COPPER 172 PER QQ-C-533

6. WEIGHT: 0.007 lbs [2.980 Grams] MAXIMUM.

If this document is printed it becomes uncontrolled. Check with the web for latest revision.

SPECIFICATION CONTROL DRAWING

| | | | | | |
|---|------------------------|---|-----------------|---------------|----|
| DRAWN | ALEXANDER | <small>RAYCHEM CORPORATION 300 CONSTITUTION DRIVE MENLO PARK, CALIFORNIA 94025</small> | | | |
| CHECKED | <i>B</i> | | | | |
| APPROVED | <i>Plain</i> 10-12-84 | | | | |
| APPROVED | <i>Lamora</i> 10-24-84 | | | | |
| CAD NAME: T22766.TIF | | TITLE | | | |
| UNLESS OTHERWISE SPECIFIED DIMENSIONS ARE IN INCHES. METRIC DIMENSIONS ARE IN PARENTHESIS | | INSERT, PIN, PRIMARY 5 #16 CAVITIES POWER BLOCK CONNECTOR TEMPERATURE RATING 125°C MTC SERIES | | | |
| | | SIZE | CODE IDENT. NO. | DWG. NO. | |
| DO NOT SCALE THIS DRAWING | | B | 06090 | MTCP-116-05PI | C |
| | | WEIGHT | | SHEET | OF |

单击下面可查看定价，库存，交付和生命周期等信息

[>>TE Connectivity\(泰科\)](#)