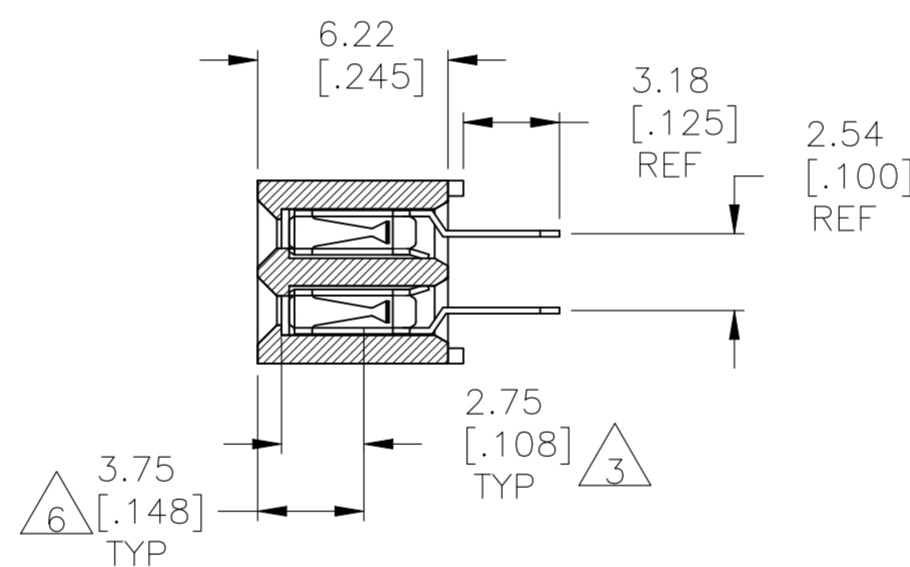
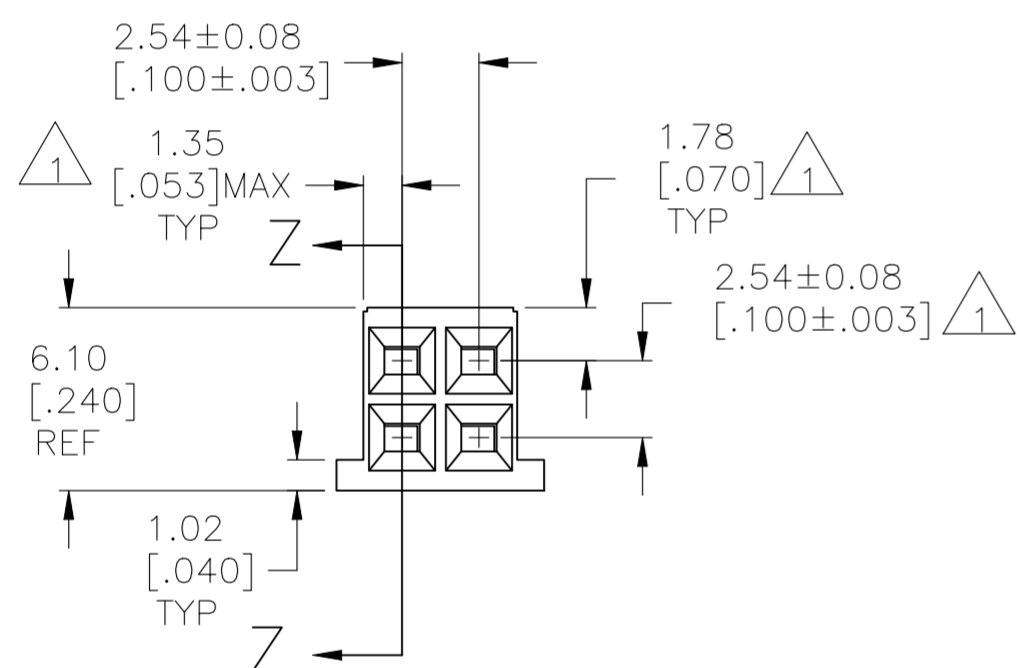
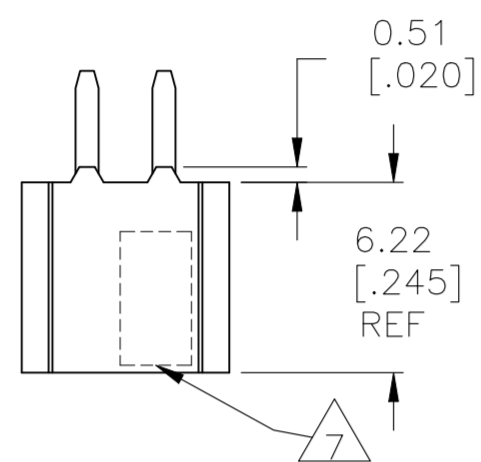
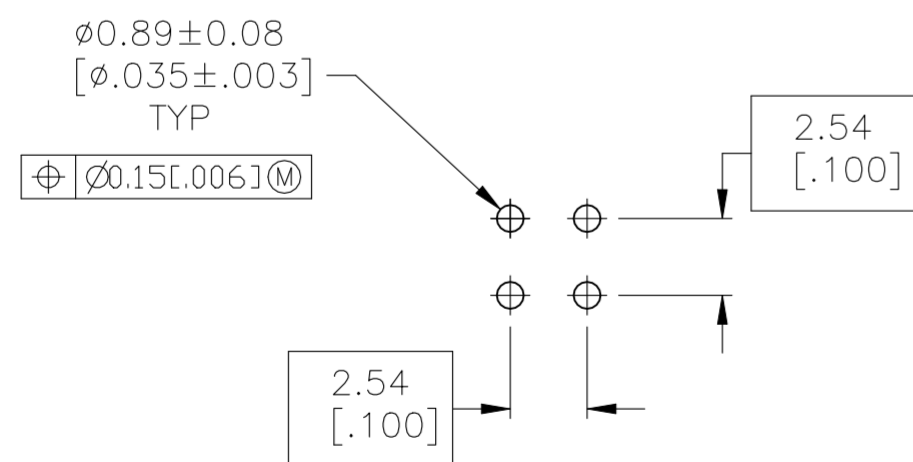


REVISIONS					
P	LTR	DESCRIPTION	DATE	DWN	APVD
C		RESIN SUPPLIER CHANGE FOR THE HOUSING	03DEC2021	SCB	KJK

- 1 THESE DIMENSIONS PERTAIN TO CAVITY CENTERLINES ONLY, NOT TO CONTACT LOCATIONS.
- 2 DUPLEX PLATED: 0.000762 (.000030) GOLD ON CONTACT AREA ONLY, 0.00381-0.00762 (.000150-.000300) BRIGHT TIN-LEAD ON SOLDER LEADS, ALL OVER 1.27 (.000050) MINIMUM NICKEL
- 3 POINT OF MEASUREMENT FOR PLATING THICKNESS (INSIDE CONTACT BEAMS).
- 4 HOUSING MATERIAL: FLAME RETARDANT, GLASS FILLED POLYESTER. COLOR: BLACK.
- 5 CONTACT MATERIAL: PHOSPHOR BRONZE.
- 6 POINT OF CONTACT DIMENSION.
- 7 TE LOGO AND CSA LOGO ARE MOLDED IN TO HOUSING
- 8 DUPLEX PLATED: 0.000762 (.000030) GOLD ON CONTACT AREA ONLY, 0.00381-0.00762 (.000150-.000300) MATTE TIN ON SOLDER LEADS, ALL OVER 1.27 (.000050) MINIMUM NICKEL
- 9 ROHS 2002/95/EC COMPLIANT
- 10. NO PART NUMBER MARKING REQUIRED ON THIS PART
- 11 OBSOLETE PARTS: OBSOLETE CIS STREAMLINING PER D.RENAUD/D.SINISI



SECTION Z-Z



RECOMMENDED PC BOARD LAYOUT

9	11	OBSOLETE	8	4	5-104985-1
			2	4	104985-1
				FINISH NUMBER OF POSITIONS	PART NUMBER

THIS DRAWING IS A CONTROLLED DOCUMENT.		DWN	L. BRINER	13-12-96	 TE Connectivity
DIMENSIONS:		CHK	G. SKIPPER	13-12-96	
mm [INCHES]		APVD	G. SKIPPER	13-12-96	
TOLERANCES UNLESS OTHERWISE SPECIFIED:		PRODUCT SPEC			
0 PLC	± -	APPLICATION SPEC			NAME
1 PLC	± -				ASSEMBLY, MOD IV, DBL ROW,
2 PLC	± 0.13[.005]				2.54[.100] x 2.54[.100]
3 PLC	± -				
4 PLC	± -				SIZE
ANGLES	± -				A2
MATERIAL	4 5	FINISH	2 8	WEIGHT	CAGE CODE
				-	00779
CUSTOMER DRAWING				SCALE	DRAWING NO
				4:1	C=104985
				SHEET	RESTRICTED TO
				1 OF 1	-
				REV	C

单击下面可查看定价，库存，交付和生命周期等信息

[>>TE Connectivity\(泰科\)](#)