

© 2019 TE Connectivity. All Rights Reserved.

NOTES:

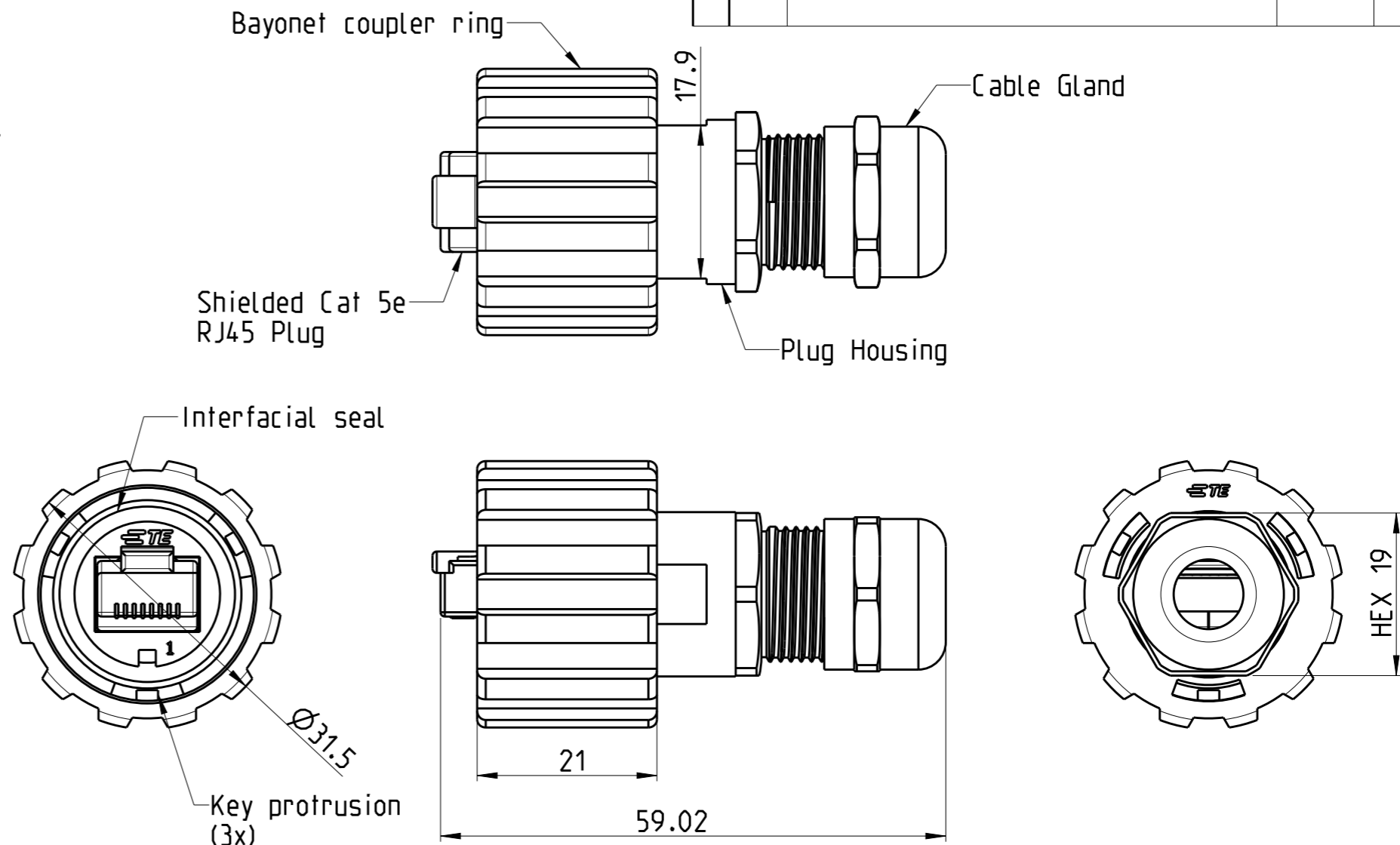
- 1. Electrical specifications:
 - Meets EIA/TIA-568-B.2 Cat 5e specification
 - Contact resistance: 20 mOhm max.
 - Insulation resistance: 500 MOhm min. @ 100 V DC
 - Current rating: 1.2 A max. at 25° C
 - Working voltage: 100 V DC
 - D W voltage: 1000 V DC/60 s contact to contact
: 1500 V DC/60 s contact to metal shell
 - Temperature range: -40°C to +80°C

- 2. Material And Finish:
 - Coupler ring: Zink die-cast, nickel plated
 - Plug housing: Zink die-cast, nickel plated
 - Interfacial seal: Silicone, transparent
 - Cable gland: Brass, nickel plated
 - Cable gland rubber ring: NBR, black
 - RJ45 Plug metal shell: Copper alloy, nickel plated
 - RJ45 Plug plastic housing: PC UL 94 V-2, clear
 - RJ45 Plug contact: Phosphor bronze, finish: min. 50µ" gold over nickel

- 3. IP67, rated when covered or fully mated with the appropriate mating connector
- 4. RJ45 Plug accepts both stranded and solid wire with outer diameter of 4.83mm to 6.73mm
- 5. Cable fitting accepts cable outer diameter range of 4.5mm to 8mm
- 6. RoHS compliant
- 7. Packaging Spec: 107-19763

- 8. Material And Finish:
 - Coupler ring: PBT UL 94 V-0, black
 - Plug housing: PBT UL 94 V-0, black
 - Interfacial seal: Silicone, transparent
 - Cable gland: Brass, nickel plated
 - Cable gland rubber ring: NBR, black
 - RJ45 Plug metal shell: Copper alloy, nickel plated
 - RJ45 Plug plastic housing: PC UL 94 V-2, clear
 - RJ45 Plug contact: Phosphor bronze, finish: min. 50µ" gold over nickel

| REVISIONS | | | | | |
|-----------|-----|-----------------|-----------|-----|------|
| P | LTR | DESCRIPTION | DATE | DWN | APVD |
| | A | INITIAL RELEASE | 18NOV2019 | SS | JK |



| | | |
|--------|----------|-----------|
| E81956 | 8 | 2362760-2 |
| E81956 | 2 | 2362760-1 |
| UL NO. | MATERIAL | TEPN |

| | | | | | |
|--|--|--|--|---------------------|-----------------|
| THIS DRAWING IS A CONTROLLED DOCUMENT. | | DWN S SHARMA 18OCT2019 | | | |
| | | CHK J. Krogt van der 18OCT2019 | | | |
| | | APVD J.de BRULIN 18OCT2019 | NAME RJ45 PLUG KIT SHIELDED CAT 5e RJ45 PLUG | | |
| DIMENSIONS: mm | | TOLERANCES UNLESS OTHERWISE SPECIFIED: | | PRODUCT SPEC | |
| | | 0 PLC ±0.50 | | APPLICATION SPEC | |
| | | 1 PLC ±0.38 | | 114-19162 | |
| | | 2 PLC ±0.25 | | WEIGHT | |
| | | 3 PLC ±0.10 | | A3 00779 C-2362760 | |
| | | 4 PLC ANGLES ± ±3° | | RESTRICTED TO | |
| MATERIAL SEE TABLE | | FINISH SEE TABLE | | RESTRICTED CUSTOMER | |
| | | | | SCALE 3:2 | SHEET 1 OF 1 |
| | | | | REV A | |

单击下面可查看定价，库存，交付和生命周期等信息

[>>TE Connectivity\(泰科\)](#)