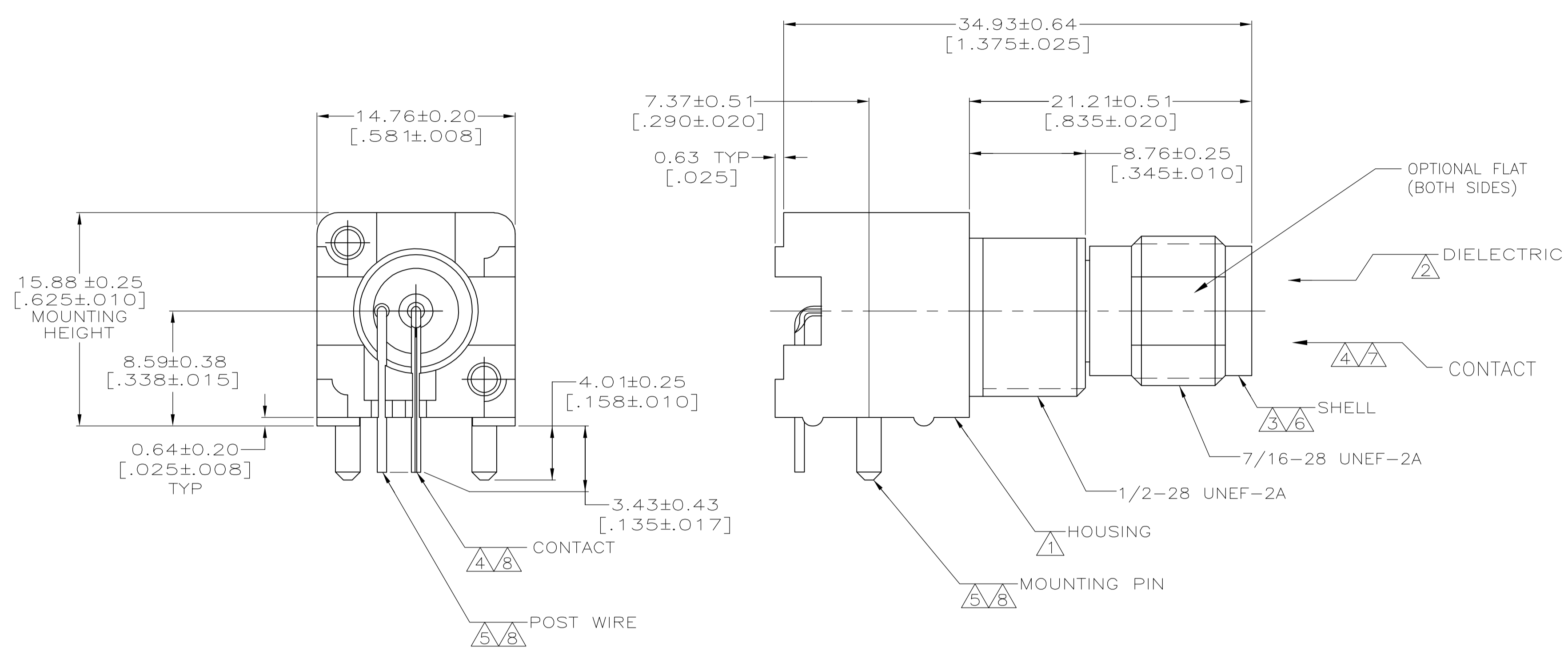
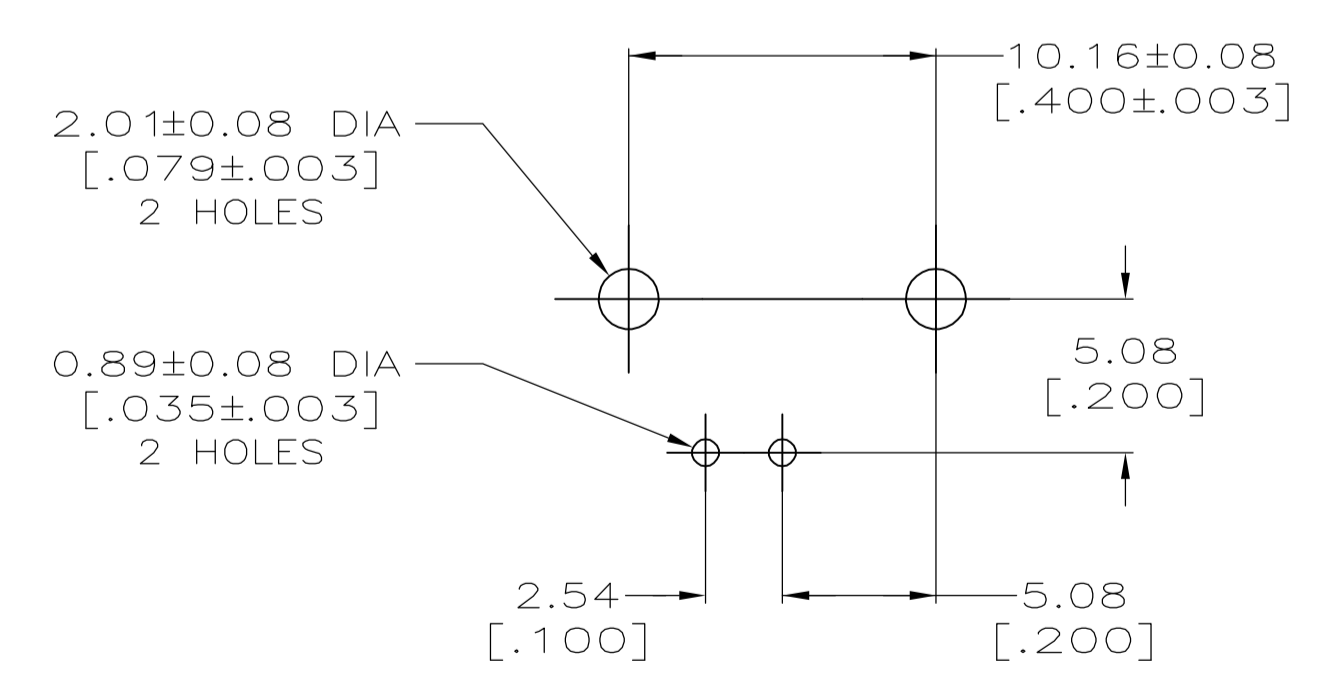
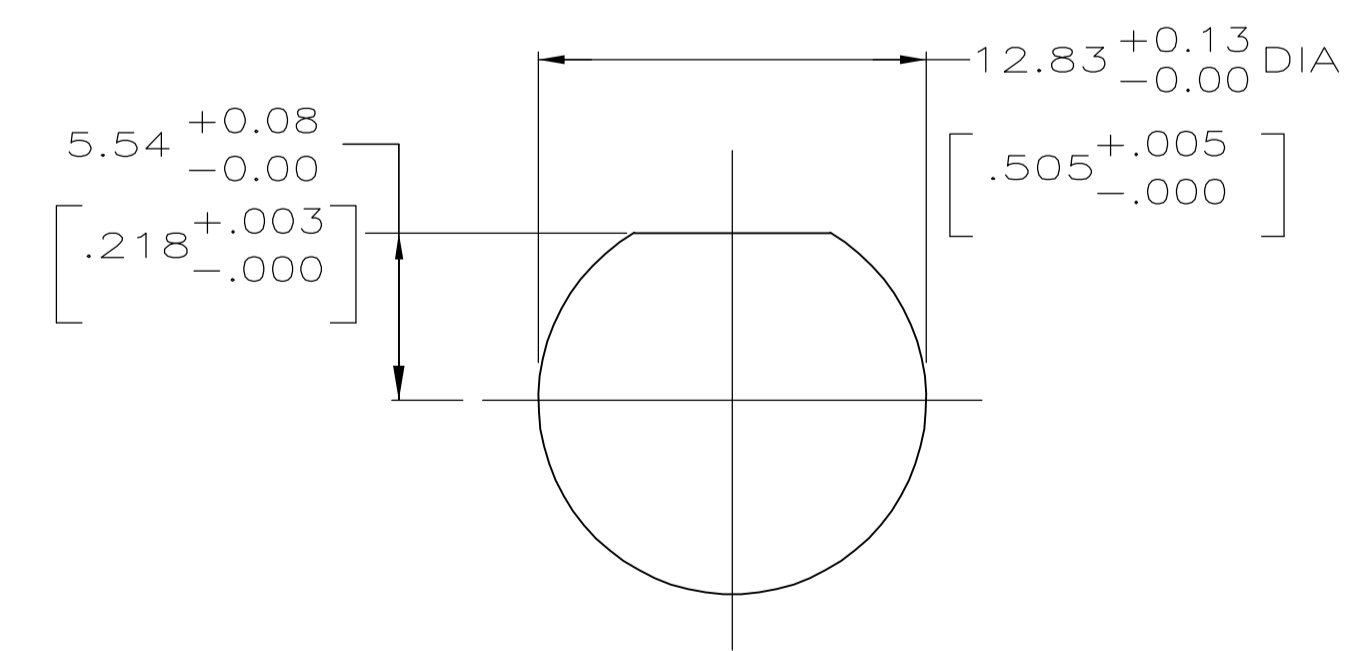


LOC		DIST		REVISIONS			
P	LTR	DESCRIPTION	DATE	DWN	APVD		
A1		REVISED PER ECO-06-011451	26MAY2006	KS	JL		



- 1 POLYESTER PBT PER MIL-M-24519, TYPE GPT-15F, UL94V-0 RATED, COLOR:NATURAL
- 2 POLYMETHYLPENTENE, GENERAL PURPOSE
- 3 ZINC PER ASTM-B-86
- 4 PHOSPHOR BRONZE PER QQ-B-750
- 5 BRASS PER QQ-B-626
- 6 NICKEL PLATE PER QQ-N-290, 3.81 μm [.000150] MINIMUM THICK
- 7 GOLD PLATE PER MIL-G-45204, 0.76 μm [.000030] MINIMUM THICK
- 8 TIN PLATE PER ASTM B 545, 3.81 μm [.000150] MINIMUM THICK.



5227818-1  
PART NUMBER

THIS DRAWING IS A CONTROLLED DOCUMENT.		DWN L. VARELA - DOCKS 21APR2005	Tyco Electronics Corporation Harrisburg, Pa 17105-3608	
DIMENSIONS: mm (INCHES)		CHK J. HAVENER 21APR2005	NAME JACK, RIGHT ANGLE, PCB, TNC	
TOLERANCES UNLESS OTHERWISE SPECIFIED:		APVD J. LIPPERT 21APR2005	PRODUCT SPEC	
0 PLC ± -		APPLICATION SPEC		
1 PLC ± -		SIZE		
2 PLC ± 0.05 [.002]		CAGE CODE		
3 PLC ± -		DRAWING NO		
4 PLC ± -		RESTRICTED TO		
ANGLES ± -		A1 00779 C=5227818		
MATERIAL		WEIGHT		
FINISH		CUSTOMER DRAWING		
SCALE 4:1		SHEET 1 OF 1		
REV A1				

单击下面可查看定价，库存，交付和生命周期等信息

[>>TE Connectivity\(泰科\)](#)