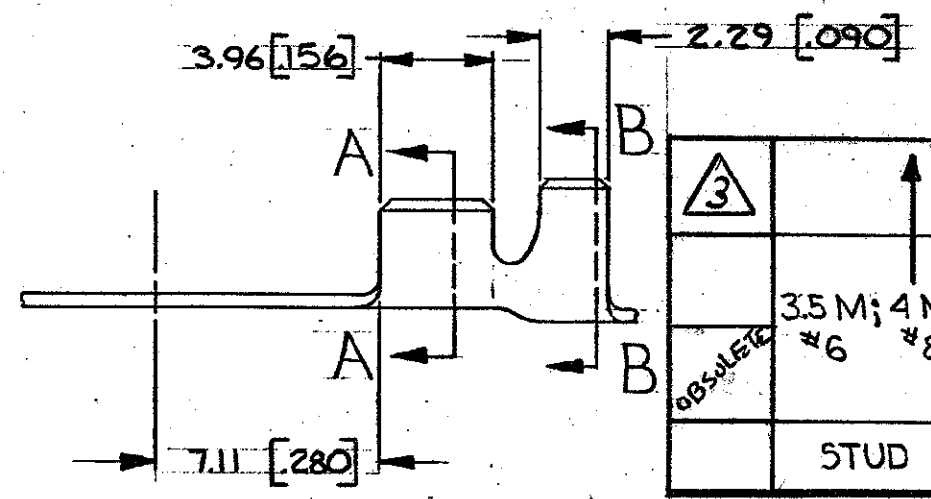
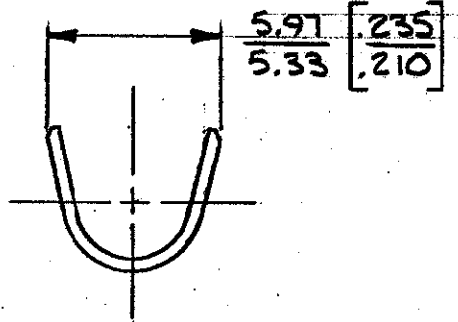
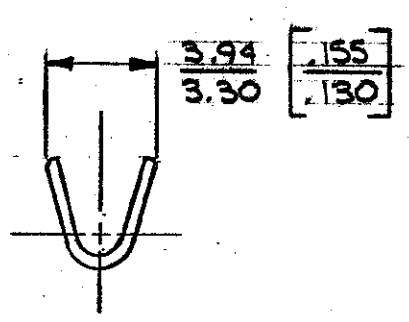
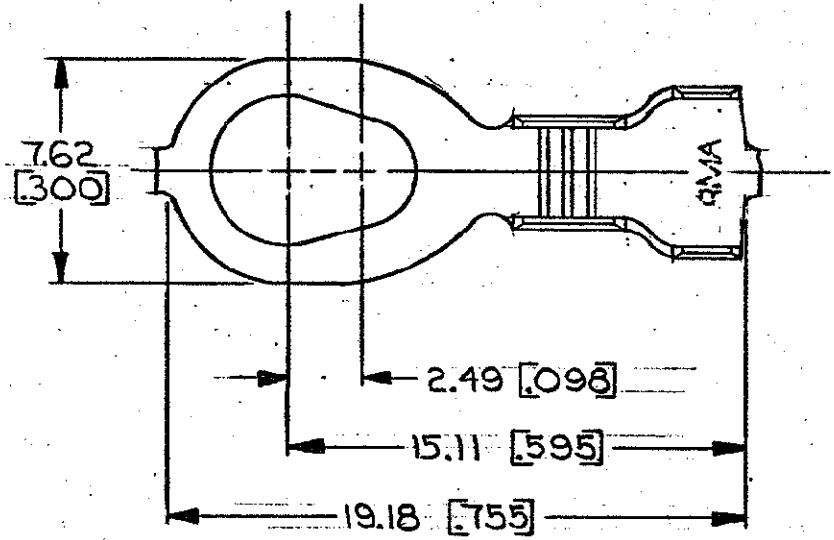


© COPYRIGHT 1976 BY AMP INCORPORATED, HARRISBURG, PA.  
ALL INTERNATIONAL RIGHTS RESERVED. AMP INCORPORATED PRODUCTS  
COVERED BY U. S. AND FOREIGN PATENTS AND/OR PATENTS PENDING.

		REVISIONS				
P	F	ZONE	LTR	DESCRIPTION	DATE	APPROVED
✓			C	REDRAWN & REVISED A-3943	5/18/78	<i>A.M.</i>
✓			D	OBS. -1 AF-4787	5-2-88	<i>MSF/DPD</i>
			E	ADDED-3 PER 063A-0372-01	6-2-91	<i>MSF/DPD</i>



<b>3</b>				PRE-TIN	0.41 [016] BRASS	<b>4</b>
	3.5 M; 4 M; —			PRE-TIN		350981-2
OBsolete	#6 #8 #10	0.8 - 2.0mm <sup>2</sup>	3.05 - 4.32	NONE	0.41 [016] BRASS	<del>350981-1</del>
		[18-14]	[120-.170]			
	STUD SIZE	WIRE RANGE	INSULATION RANGE	FINISH	MATERIAL	PART NO

- 1. CONTINUOUS STRIP ON REELS.
- 2. DIMENSIONS IN BRACKETS ARE IN INCHES.
- 3** REDUCED PACKAGE QUANTITY.
- 4** PRELIMINARY - NOT FOR PRODUCTION.

**METRIC**

UNLESS OTHERWISE SPECIFIED DIMENSIONS ARE IN mm. TOLERANCES ON DECIMALS ±0.38 [015]. ANGLES ±1° 0'

CONTRACT NO. DR *A. Magano* 5/18/78

CHK *W. J. Davis* 7-25-78

APPD *R. P. Frantz* 8-8-78

APPD *Es. 7* 8-10-78

AMP INCORPORATED Harrisburg, Pa.

NAME: RING

SIZE: B CODE IDENT NO: 00779 DRAWING NO: 350981

OTHER APPD: DSGN APPD

SCALE: SHEET

单击下面可查看定价，库存，交付和生命周期等信息

[>>TE Connectivity\(泰科\)](#)