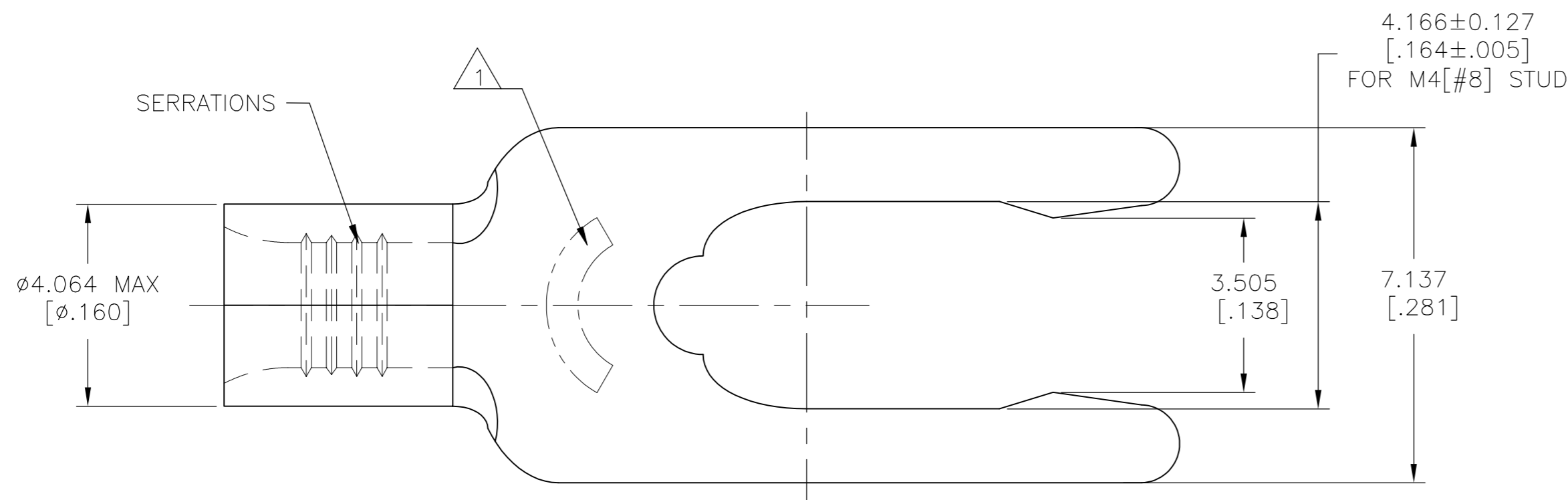


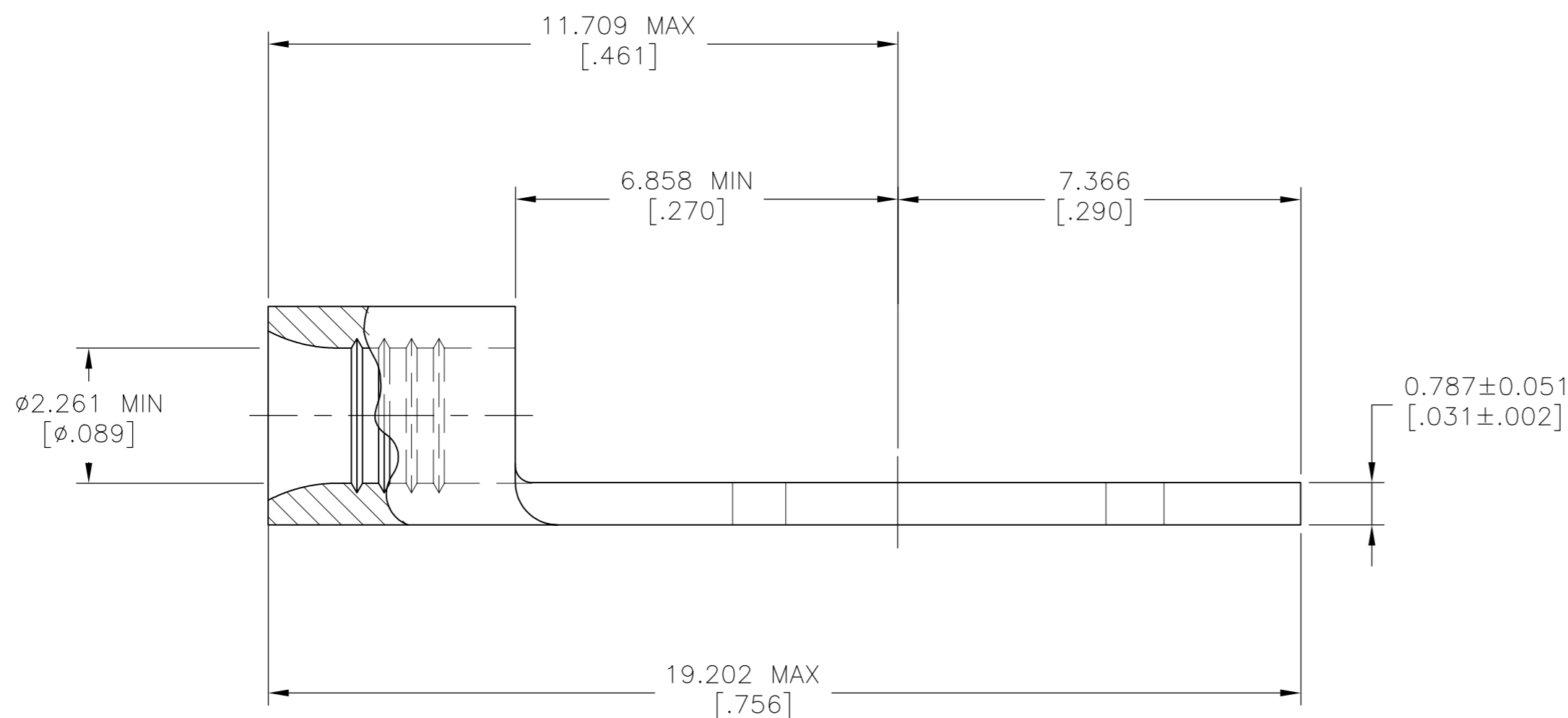
THIS DRAWING IS UNPUBLISHED. RELEASED FOR PUBLICATION
 © COPYRIGHT - TE Connectivity Ltd. ALL RIGHTS RESERVED.

REVISIONS					
P	LTR	DESCRIPTION	DATE	DWN	APVD
D		REV PER 0G3A-0305-03	20MAY03	JR	MS
D1		REVISED PER ECO-17-008806	14FEB2018	RS	DR



AMP WIRE RANGE	UL Listed FILE E13288	LR7189 Certified
16-14 AWG STRANDED	16-14 AWG STRANDED	NOT CERTIFIED

- 1 STAMP 8S AMP 16-14* APPROX AS SHOWN
8S INDICATES STUD SIZE
- 2 PHOSPHOR BRONZE PER ASTM B-103
ANNEALED
- 3 0.00254 [.000100] MIN TIN PLATE
PER ASTM B-545
- 4 NOTE DELETED



1000	LOOSE PIECE	52704-1
QTY	PACKAGE TYPE	PART NO

AMP INCORPORATED CUSTOMER SERVICE SYSTEMS		MAX RECOMMENDED OPERATING TEMPERATURE: 170°C [338°F]	THIS DRAWING IS A CONTROLLED DOCUMENT.		DWN TA BRINKMAN 2-15-93	
		VOLTAGE RATING: N/A	DIMENSIONS: mm [INCHES]	TOLERANCES UNLESS OTHERWISE SPECIFIED:	CHK DA PATTERSON 2-15-93	
FOR ADDITIONAL PRODUCT INFORMATION OR COPIES OF DRAWINGS AND TECHNICAL DOCUMENTS	PRODUCT INFORMATION CENTER 1-800-522-6752	CIRCULAR MIL AREA: 1.04-2.62mm² [2.050-5.180] STRANDED		0 PLC ± - 1 PLC ± - 2 PLC ± - 3 PLC ± 0.127[.005] 4 PLC ± -	APVD JL MECKLEY 2-15-93	NAME UL 486 A-B
FOR APPLICATION	TOOLING ASSISTANCE CENTER 1-800-722-1111				PRODUCT SPEC	TERMINAL, LONG
TOOLING INFORMATION					APPLICATION SPEC	SPRING SPADE, BUDGET
FOR ORDER ENTRY	1-800-526-5142				WEIGHT	16-14 AWG
		THIS DRAWING IS A CONTROLLED DOCUMENT FOR AMP INCORPORATED. IT IS SUBJECT TO CHANGE AND THE CONTROLLING ENGINEERING ORGANIZATION SHOULD BE CONTACTED FOR THE LATEST REVISION.	MATERIAL - 2	FINISH - 3	CUSTOMER DRAWING	RESTRICTED TO
					SCALE 10:1	SHEET 1 OF 1
						REV D1

单击下面可查看定价，库存，交付和生命周期等信息

[>>TE Connectivity\(泰科\)](#)