

THIS DRAWING IS UNPUBLISHED.

RELEASED FOR PUBLICATION

20

© COPYRIGHT 20 BY -

ALL RIGHTS RESERVED.

REVISIONS

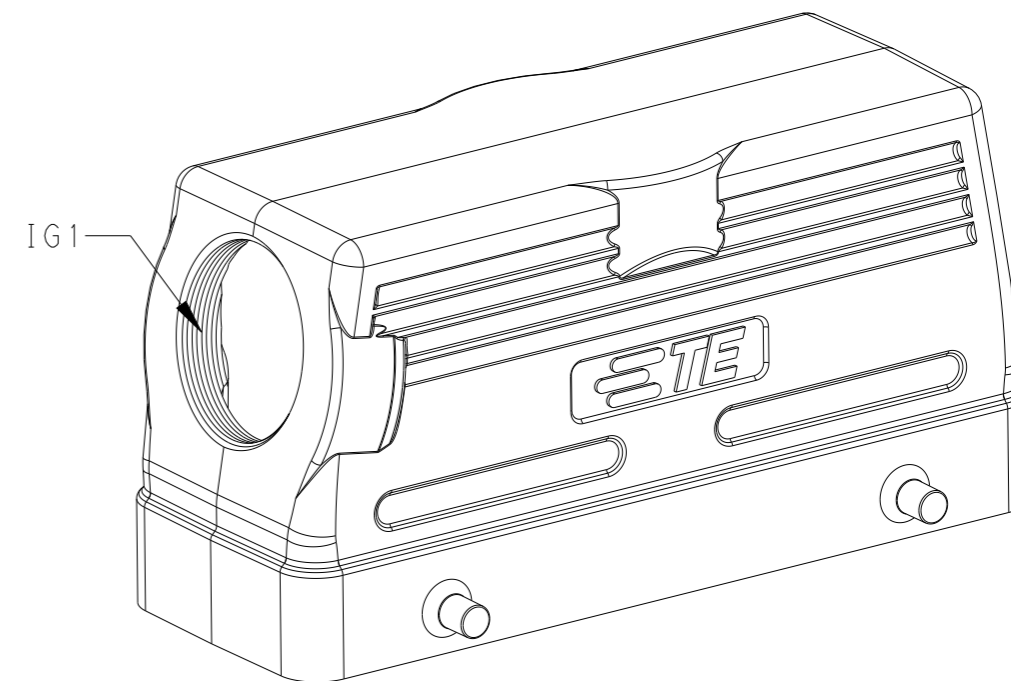
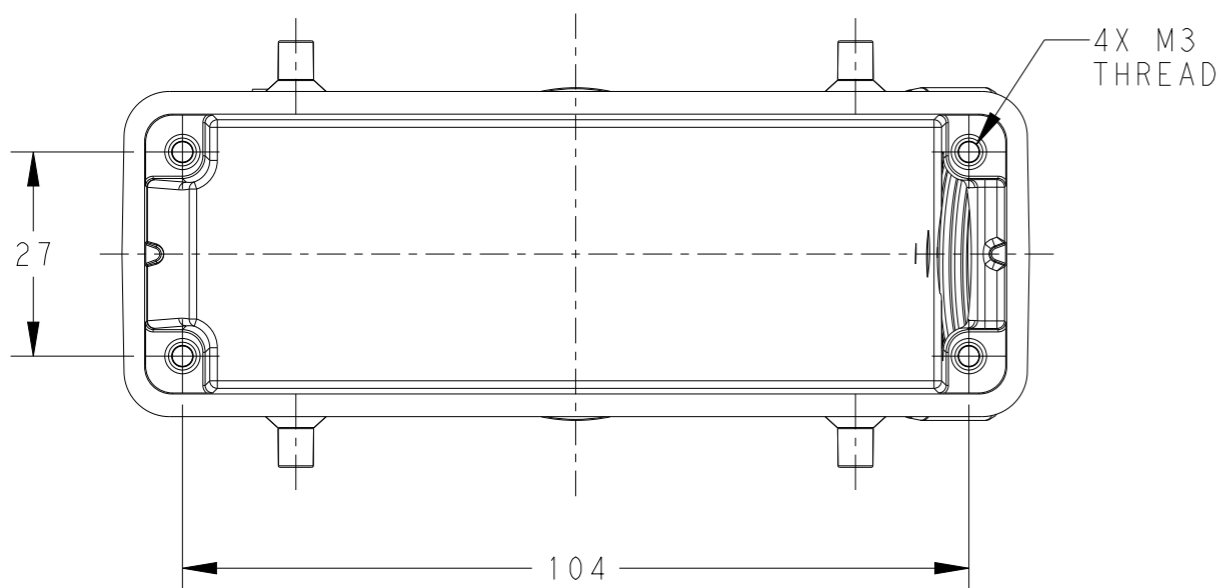
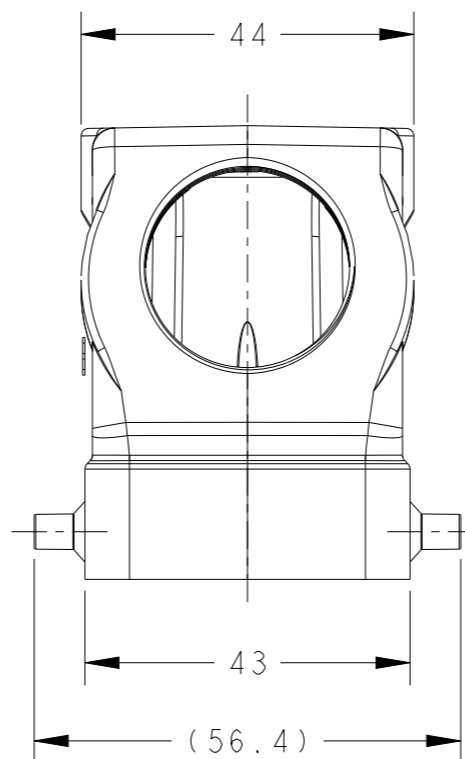
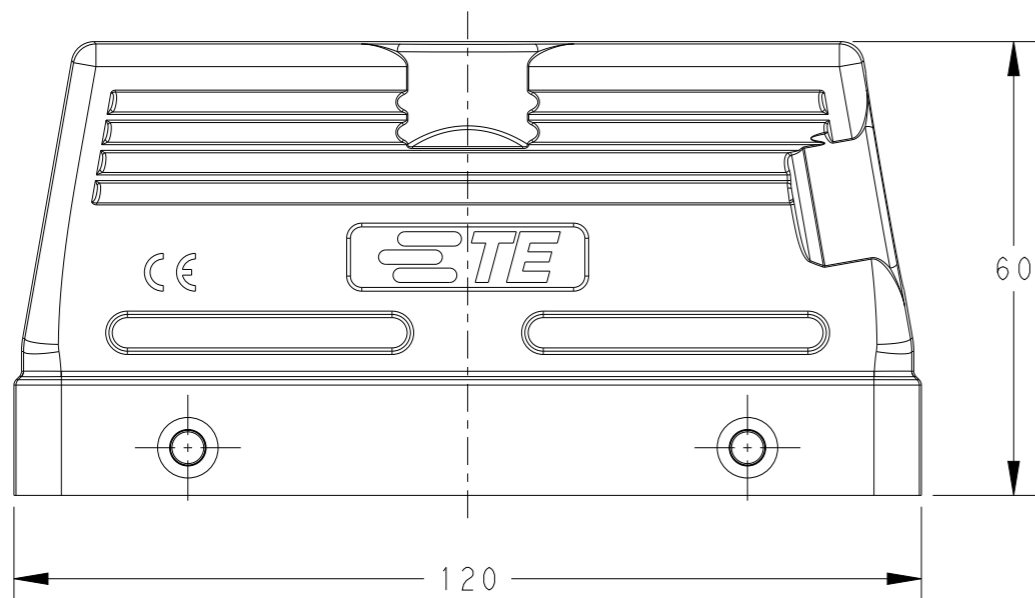
P	LTR	DESCRIPTION	DATE	DWN	APVD
	A	INITIAL	03JUN2015	DW	CW
	B	ECR-20-014876	23OCT2020	WQR	CW

NOTES:


- 1. TECHNICAL CHARACTERISTICS:
HOOD MATERIAL: DIE CAST ALUMINIUM ALLOY
SURFACE: POWDER COATED, INSIDE AND OUTSIDE
GREY COATING
DEGREE OF PROTECTION: IP65 (MATED)

注释:

- 1. 技术参数:
上壳材料: 铝合金
表面处理: 粉末涂层, 里外喷漆, 灰色
防护等级: IP65(配合)



T1210246121-000	H24B-TS-PG21 INSIDE AND OUTSIDE COATING	PG21
PART NUMBER	DESCRIPTION	IG1

THIS DRAWING IS A CONTROLLED DOCUMENT.		DWN 03JUN2015 David Wang	 TE Connectivity NAME H24B-TS-PG21 INSIDE AND OUTSIDE COATING			
DIMENSIONS: mm		CHK 03JUN2015 Chris Wang				
TOLERANCES UNLESS OTHERWISE SPECIFIED:		APVD 03JUN2015 Xiang Xu				
0 PLC ±- 1 PLC ±- 2 PLC ±- 3 PLC ±- 4 PLC ±- ANGLES ±- MATERIAL - FINISH -		PRODUCT SPEC 108-137013 APPLICATION SPEC 114-137013 WEIGHT -				
		Customer Drawing	SIZE A3	CAGE CODE 00779	DRAWING NO. C-T1210246121000	RESTRICTED TO -
			SCALE 1:1	SHEET 1 OF 1	REV B	

单击下面可查看定价，库存，交付和生命周期等信息

[>>TE Connectivity\(泰科\)](#)