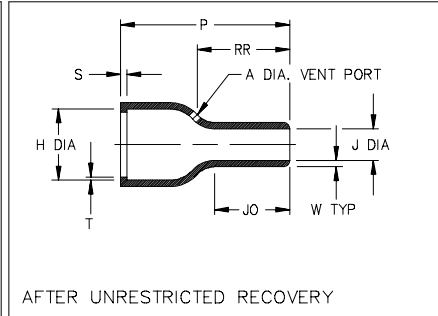
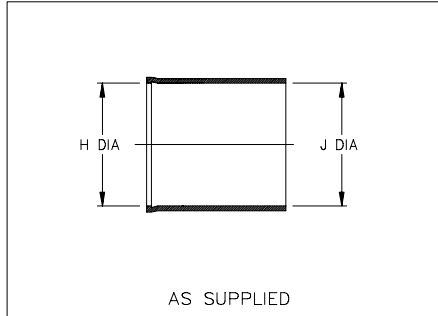


Thermofit[®] Molded Parts
 Specification Control Drawing
 Limited Distribution

Part Number : 202D1XX-X-50
 Description : Boot, Straight With Lip

NOTES

- All dimensions are in $\frac{\text{inches}}{\text{millimeters}}$
- Dimensions appearing in table are as follows:
 - a - As Supplied
 - b - After Unrestricted Recovery



PART NUMBER	H		J		P ±10% b	S REF b	T REF b	JO ±10% b	W ±20% b	RR ±10% b	A ±.01 b
	Min a	Max b	Min a	Max b							
202D142-X-50	1.08 [27,4]	.70 [17,8]	1.08 [27,4]	.28 [7,2]	1.83 [46,5]	.12 [3,05]	.04 [1,02]	.70 [17,8]	.08 [2,03]	.94 [23,9]	.12 [3,04]
202D153-X-50	1.26 [32,0]	.88 [22,4]	1.26 [32,0]	.33 [8,4]	2.35 [59,7]	.12 [3,05]	.04 [1,02]	.82 [20,8]	.08 [2,03]	1.16 [29,5]	.12 [3,04]
202D163-X-50	1.45 [36,8]	1.11 [28,2]	1.45 [36,8]	.39 [9,9]	2.48 [63,0]	.12 [3,05]	.065 [1,65]	.97 [24,6]	.09 [2,29]	1.43 [36,3]	.12 [3,04]
202D174-X-50	1.80 [45,7]	1.38 [35,1]	1.80 [45,7]	.62 [15,8]	3.53 [89,7]	.12 [3,05]	.065 [1,65]	1.56 [39,6]	.13 [3,30]	2.09 [53,1]	.12 [3,04]
202D185-X-50	1.90 [48,3]	1.75 [44,5]	1.90 [48,3]	.80 [20,4]	4.90 [124,5]	.12 [3,05]	.080 [2,03]	1.90 [48,3]	.16 [4,06]	2.55 [64,8]	.12 [3,04]

Raychem

RAYCHEM CORPORATION
 300 CONSTITUTION DRIVE
 MENLO PARK, CALIFORNIA 94025

Revision : D
 Date : 11/10/94

Part Number : 202D1XX-X-50
 Description : Boot, Straight With Lip

Thermofit[®] Molded Parts
 Specification Control Drawing
 Limited Distribution

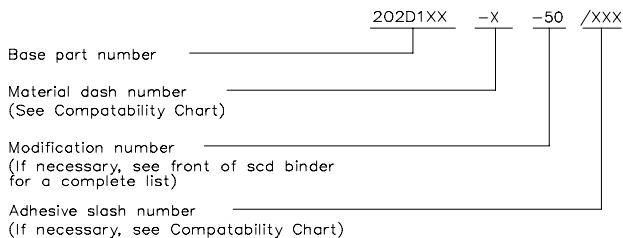
Part Number : 202D1XX-X-50
 Description : Boot, Straight with Lip

COMPATABILITY CHART					
MATERIAL DASH NO.	MATERIAL DESCRIPTION	RT SPEC	COATING SLASH NO.	COATING S NO.	COATING DESCRIPTION
-12	*VITON, Flexible	RT-1312			

*VITON is a Registered Trademark of Dupont

**If this document is printed it becomes uncontrolled.
 Check for the latest revision.**

ORDERING INFORMATION



THIS DRAWING IS SUBJECT TO CHANGE WITHOUT NOTICE; CONSULT YOUR
 NEAREST FIELD REPRESENTATIVE FOR CURRENT REVISION

Raychem

RAYCHEM CORPORATION
 300 CONSTITUTION DRIVE
 MENLO PARK, CALIFORNIA 94025

Revision : D
 Date : 11/10/94

Part Number : 202D1XX-X-50
 Description : Boot, Straight With Lip

单击下面可查看定价，库存，交付和生命周期等信息

[>>TE Connectivity\(泰科\)](#)