

5

4

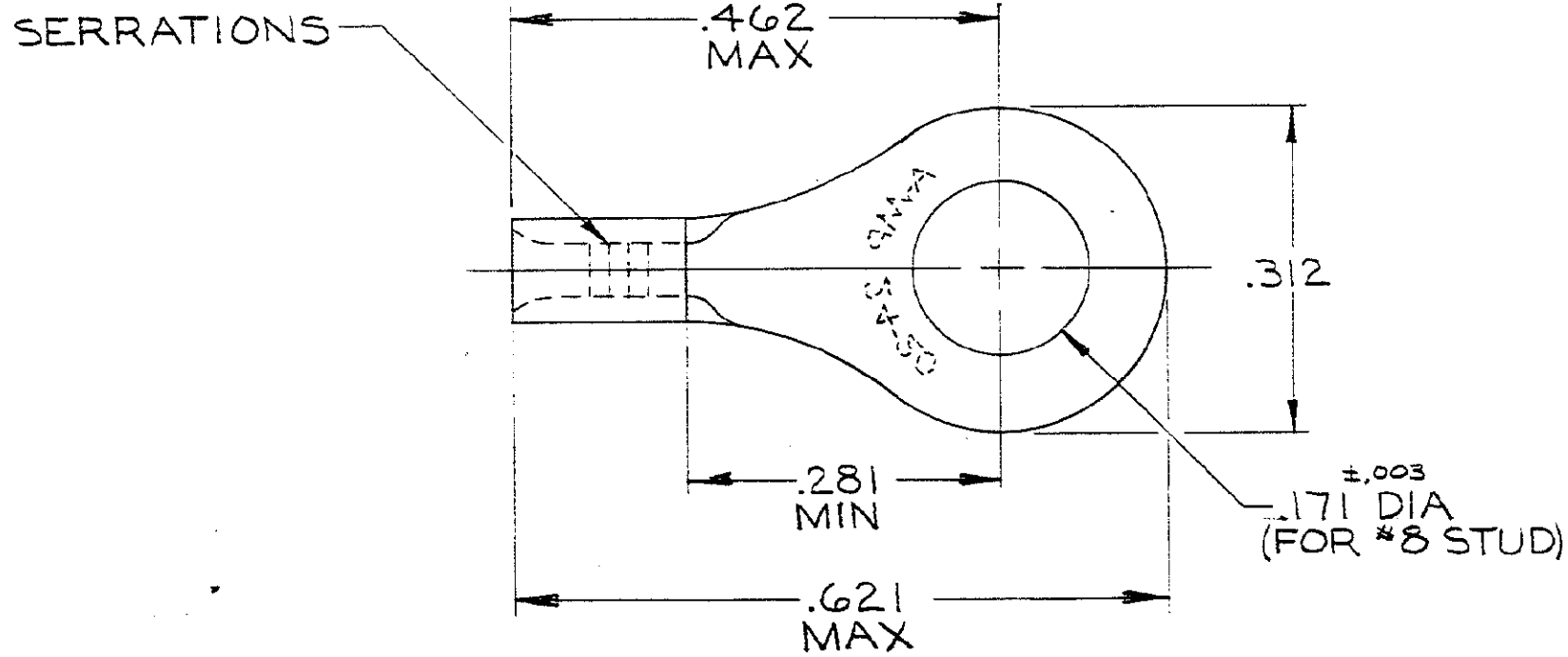
2

1

NUMBER 323987

©1956 BY AMP INCORPORATED. ALL RIGHTS RESERVED. AMP PRODUCTS COVERED BY PATENTS AND/OR PATENTS PENDING.

REVISIONS				
ZONE	LTR	DESCRIPTION	DATE	APPROVED



NOTE:
1. TIN PL (MIL-T-10727)

UNLESS OTHERWISE SPECIFIED DIM. ARE IN INCHES. TOLERANCES ON: DECIMALS ±.008 ANGLES ± 5°		CONTRACT NO. <u>H</u>	AMP AMP INCORPORATED HARRISBURG, PENNSYLVANIA
MATERIAL COPPER (QQ-C-576) .023 ±.002 THK		DR <u>F.C. Young</u> 9-28-67 CHK <u>R. Wolfe</u> 9-28-67	
HEAT TREAT ANNEALED		APPR <u>Swabel</u> 9-29-67	NUMBER 323987
FINISH NOTE 1		DSGN APPD	SIZE B
LOC PRINT/DIST G/A/D		OTHER APPD	CODE IDENT NO. 00779
			SCALE 6:1
			WT CALC ACTUAL SHEET 1 OF 1

2

1

单击下面可查看定价，库存，交付和生命周期等信息

[>>TE Connectivity\(泰科\)](#)