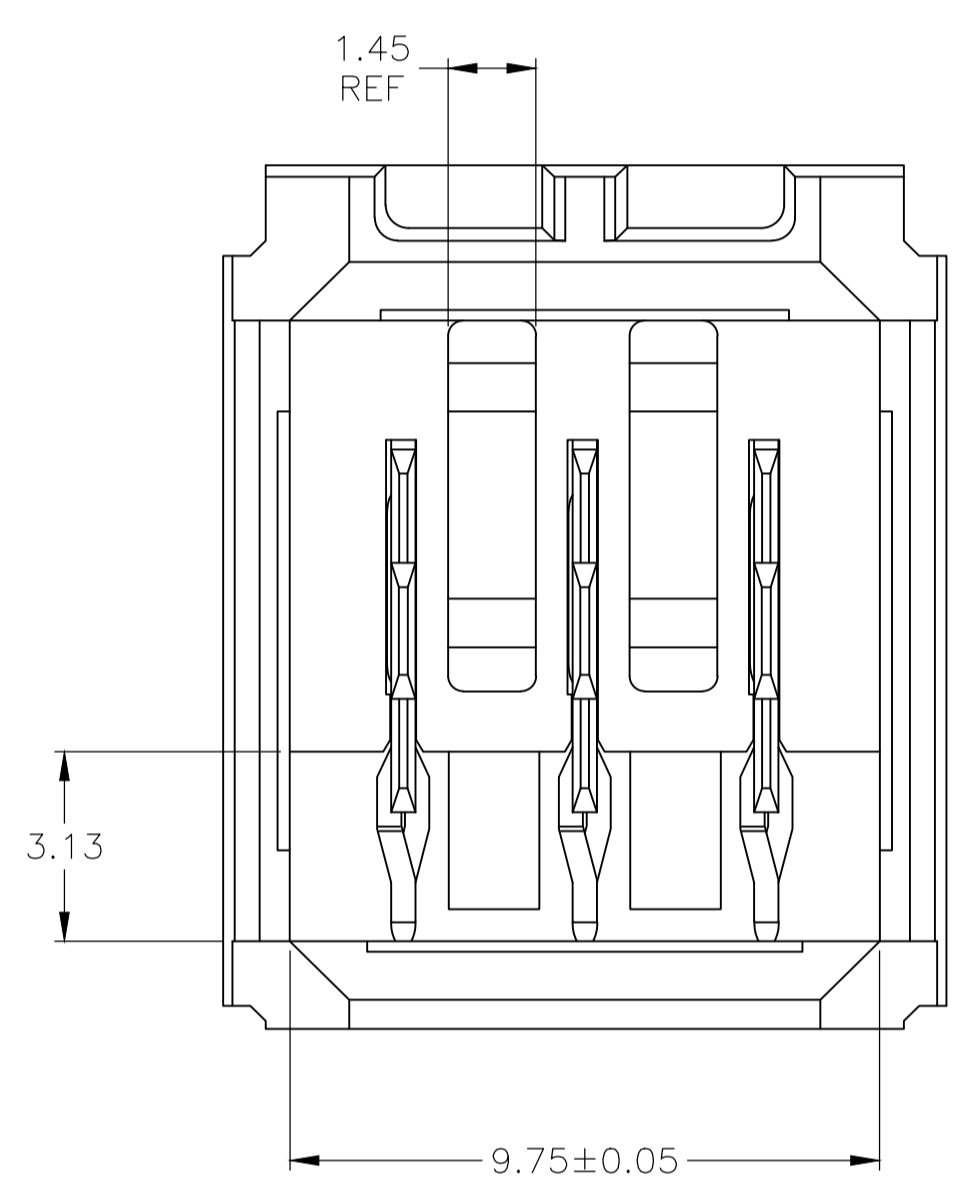
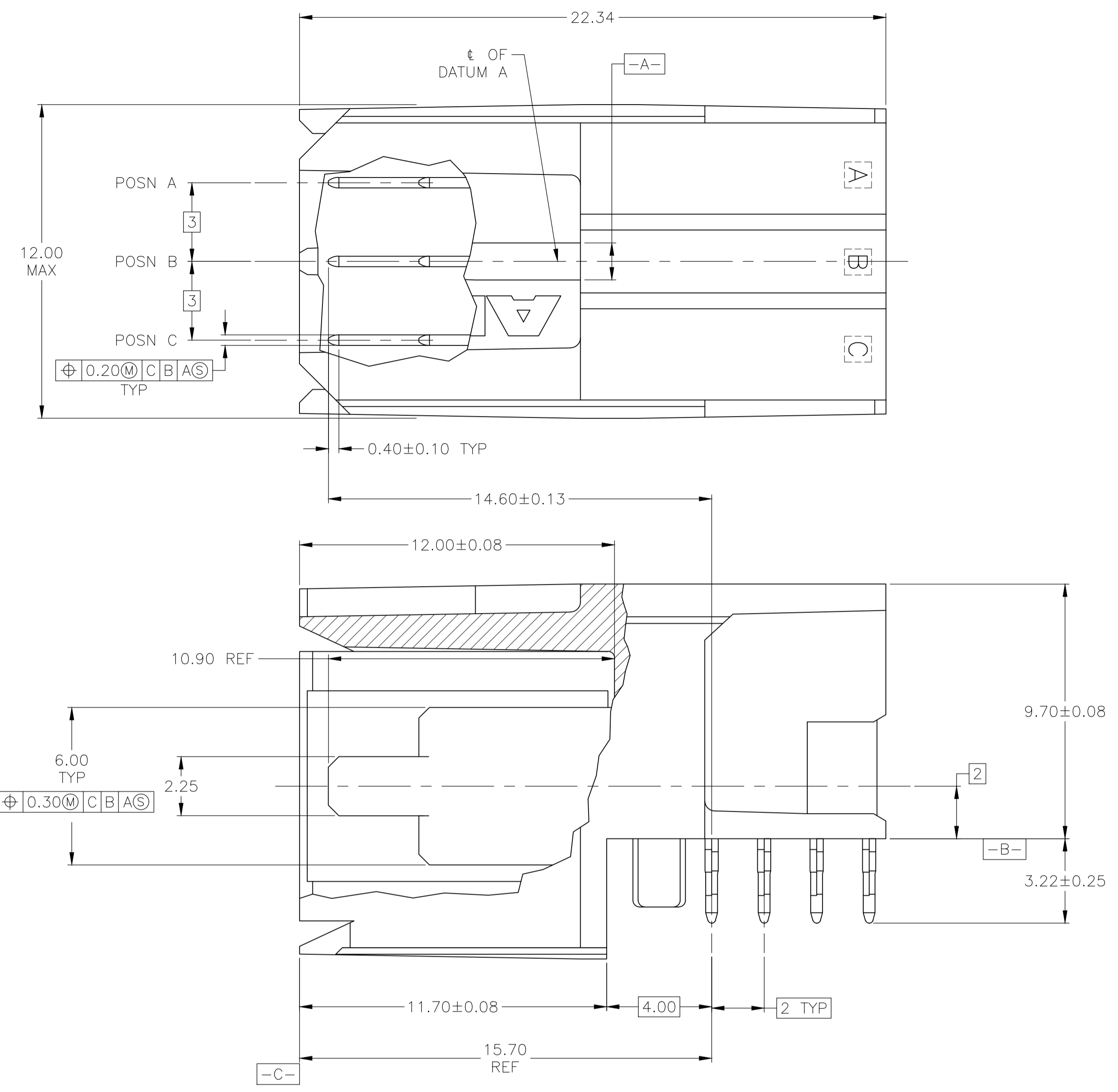
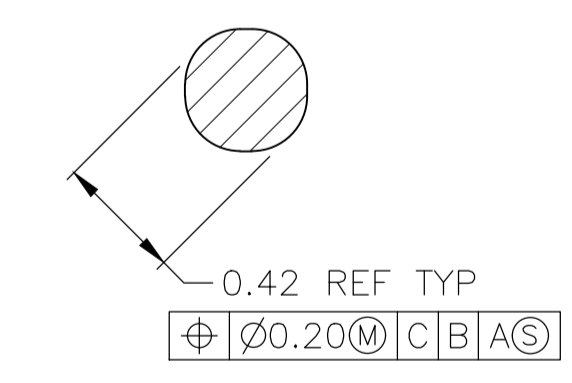
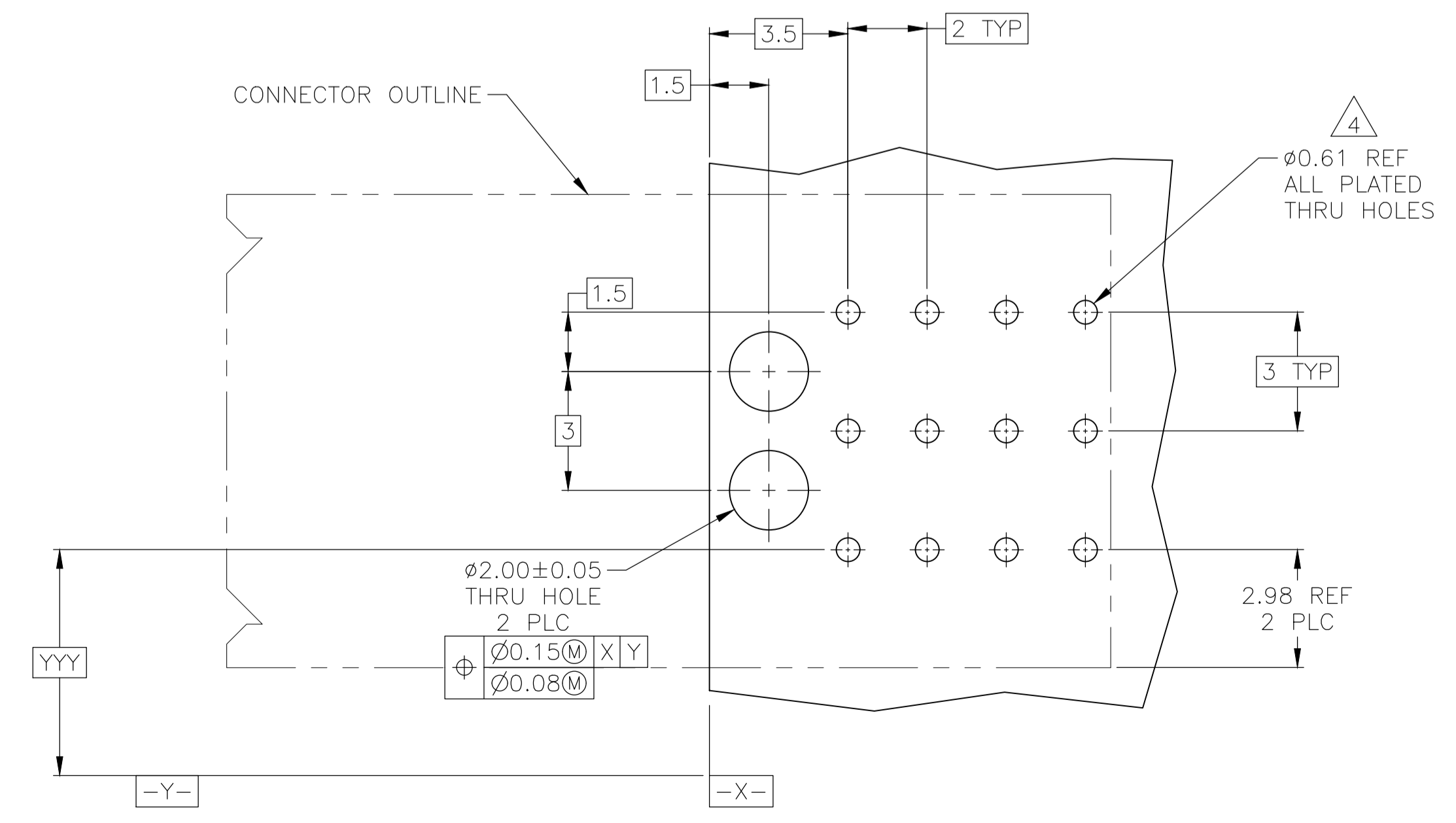
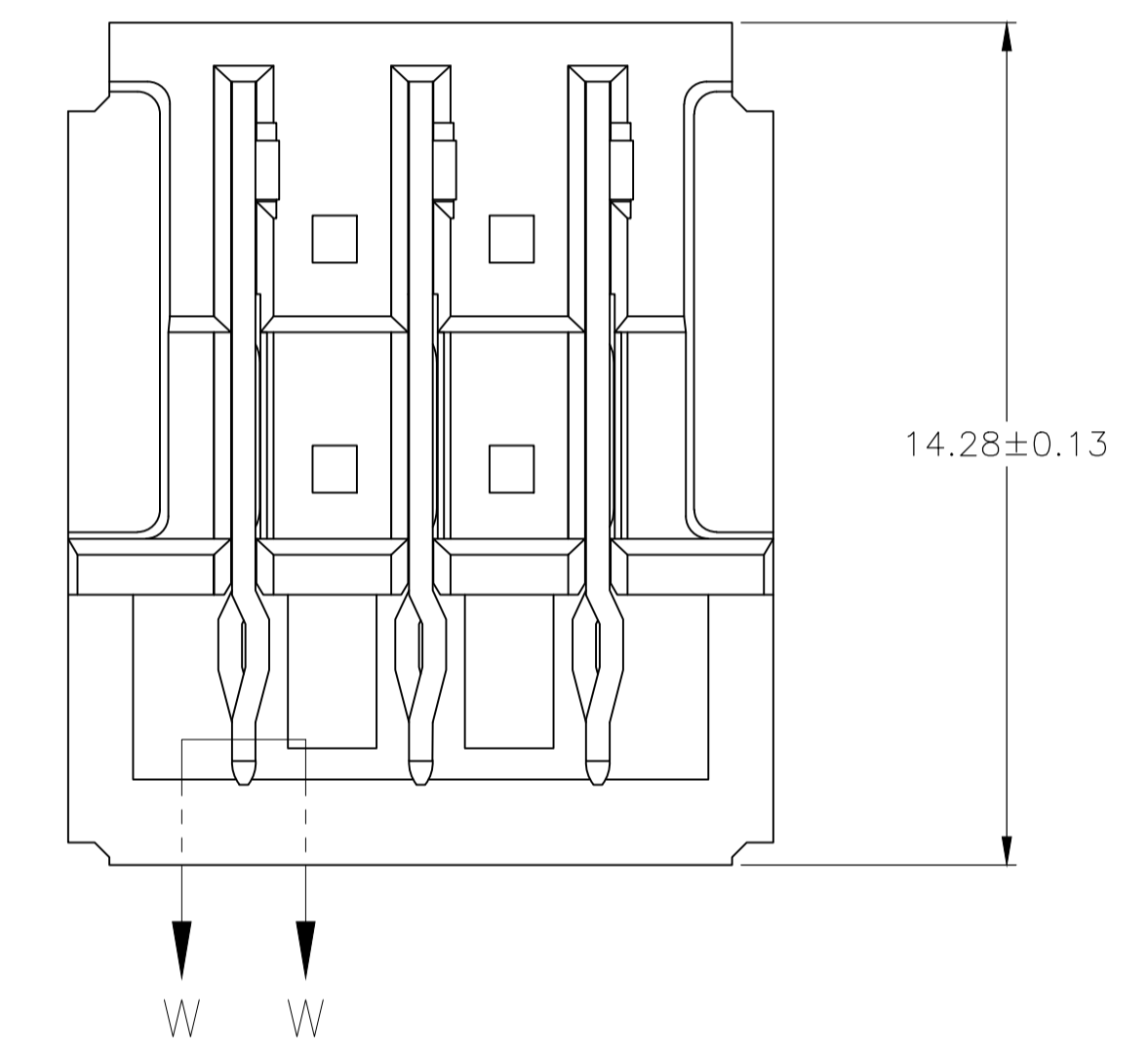


LOC		DIST		REVISIONS			
AD	00	REV	PER	ECO-20-004668	DATE	DWN	APVD
C1		REV	PER	ECO-20-004668	08JUN2020	ML	SZ



- 1 HOUSING: POLYESTER, GRAY. UL 94V-0. CONTACT: COPPER ALLOY.
- 2 FINISH: IN ACCORDANCE WITH PRODUCT SPECIFICATION 108-1651, GOLD PLATING OR EQUIVALENT PLATING ON PRODUCT CONTACT MATING AREA, AND MATTE TIN PLATING ON COMPLIANT PIN AREA, ALL OVER MATTE NICKEL UNDERPLATED. DETAIL PLEASE REFER TO PRODUCT SPECIFICATION 108-1651.
- 3 CONTACT LUBRICATION WITH BELCORE APPROVED LUBRICANT. TECHNICAL REFERENCE: TR-NWT-001217 ISSUE 1, SEPT 1992.
- 4 REFERENCE APPLICATION SPEC 114-1103 FOR RECOMMENDED PLATED THRU HOLE DIAMETER AND PLATING THICKNESS.
- 5 CURRENT RATING 10A/CONTACT PER PRODUCT SPEC 108-1651.



SECTION W-W  
SCALE 40:1

RECOMMENDED PCB HOLE LAYOUT

5223976-1  
PART NUMBER

THIS DRAWING IS A CONTROLLED DOCUMENT.		DIN B. CARBO	29OCT04	Tyco Electronics Corporation Harrisburg, PA, 17105-3608
DIMENSIONS:		CHK R. PATTERSON	29OCT04	
TOLERANCES UNLESS OTHERWISE SPECIFIED:		APVD R. PATTERSON	29OCT04	NAME
0.150 ± 0.13		PRODUCT SPEC		ASSEMBLY, RIGHT ANGLE HEADER, W/ RETENTION PEGS, UNIVERSAL POWER MODULE
0.200 ± 0.13		APPLICATION SPEC		SIZE
0.300 ± 0.13		114-1103		CODE
0.400 ± 0.13		WEIGHT		DRAWING NO
0.500 ± 0.13		A1 00779		RESTRICTED TO
0.600 ± 0.13		C=5223976		SCALE
0.700 ± 0.13		CUSTOMER DRAWING		8:1
0.800 ± 0.13		SHEET		1 of 1
0.900 ± 0.13		REV		C1

单击下面可查看定价，库存，交付和生命周期等信息

[>>TE Connectivity\(泰科\)](#)