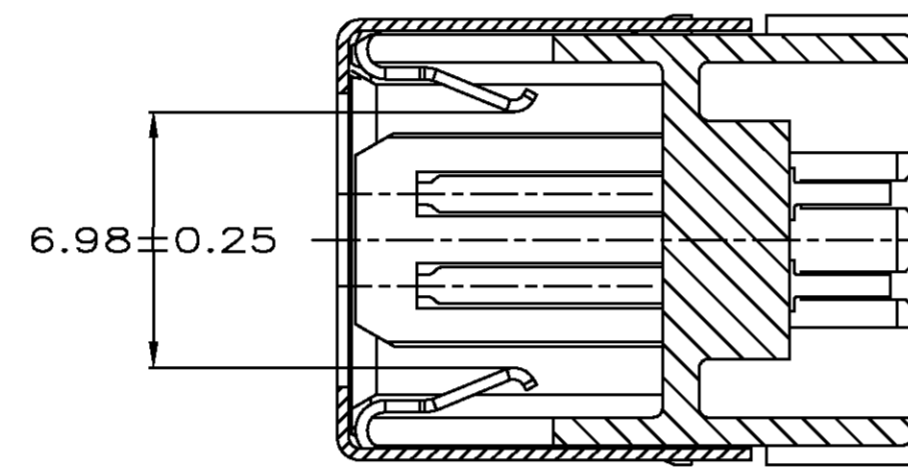
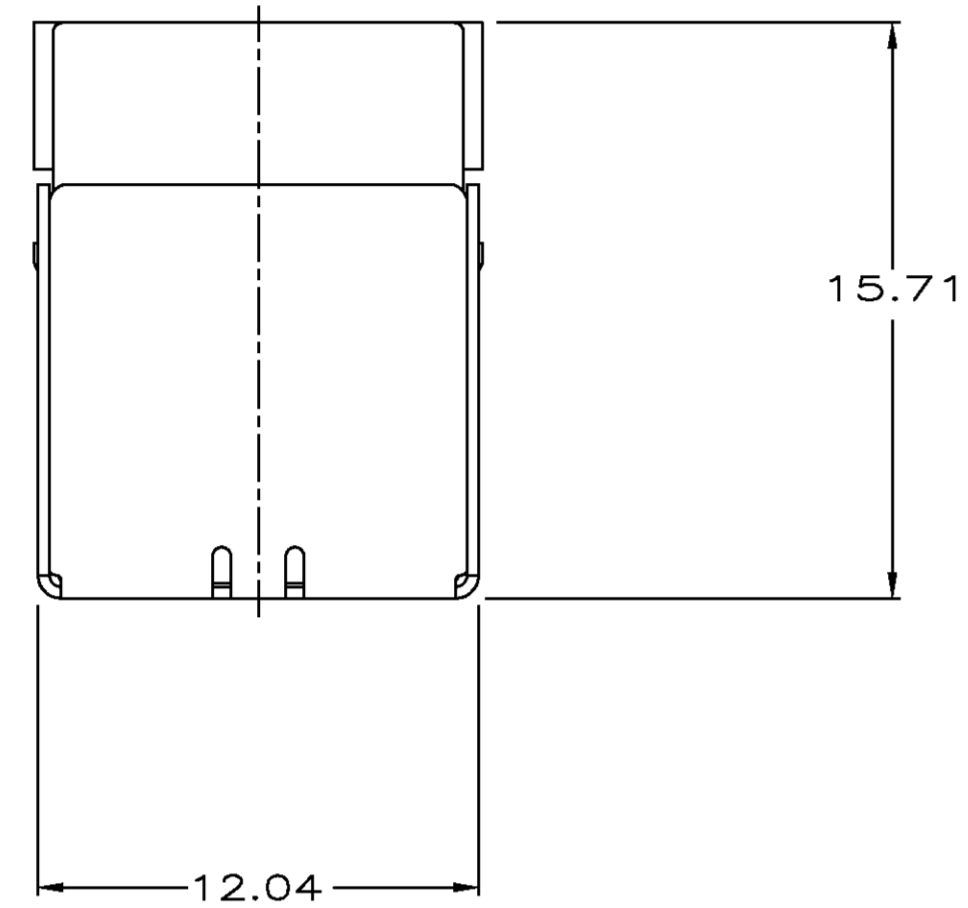
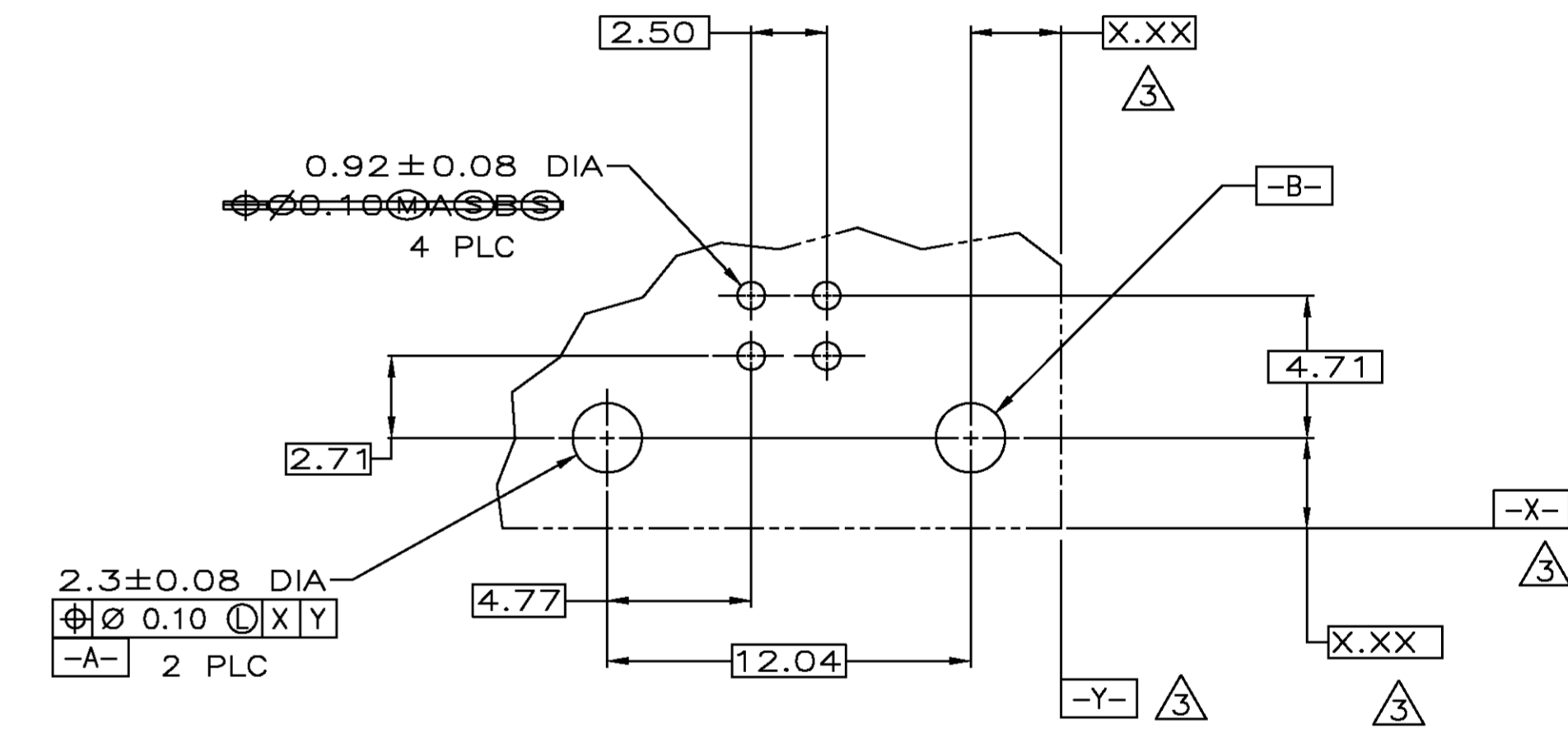


REV	DESCRIPTION	DATE	DWN	APPD
C1	REVISED ECR-08-009268	11APR08	A.Z	S.Y
C2	REVISED PER ECO-09-021826	27JAN2010	KK	HMR
C3	REVISED PER ECR-16-013723	26JUN17	TZ	HW

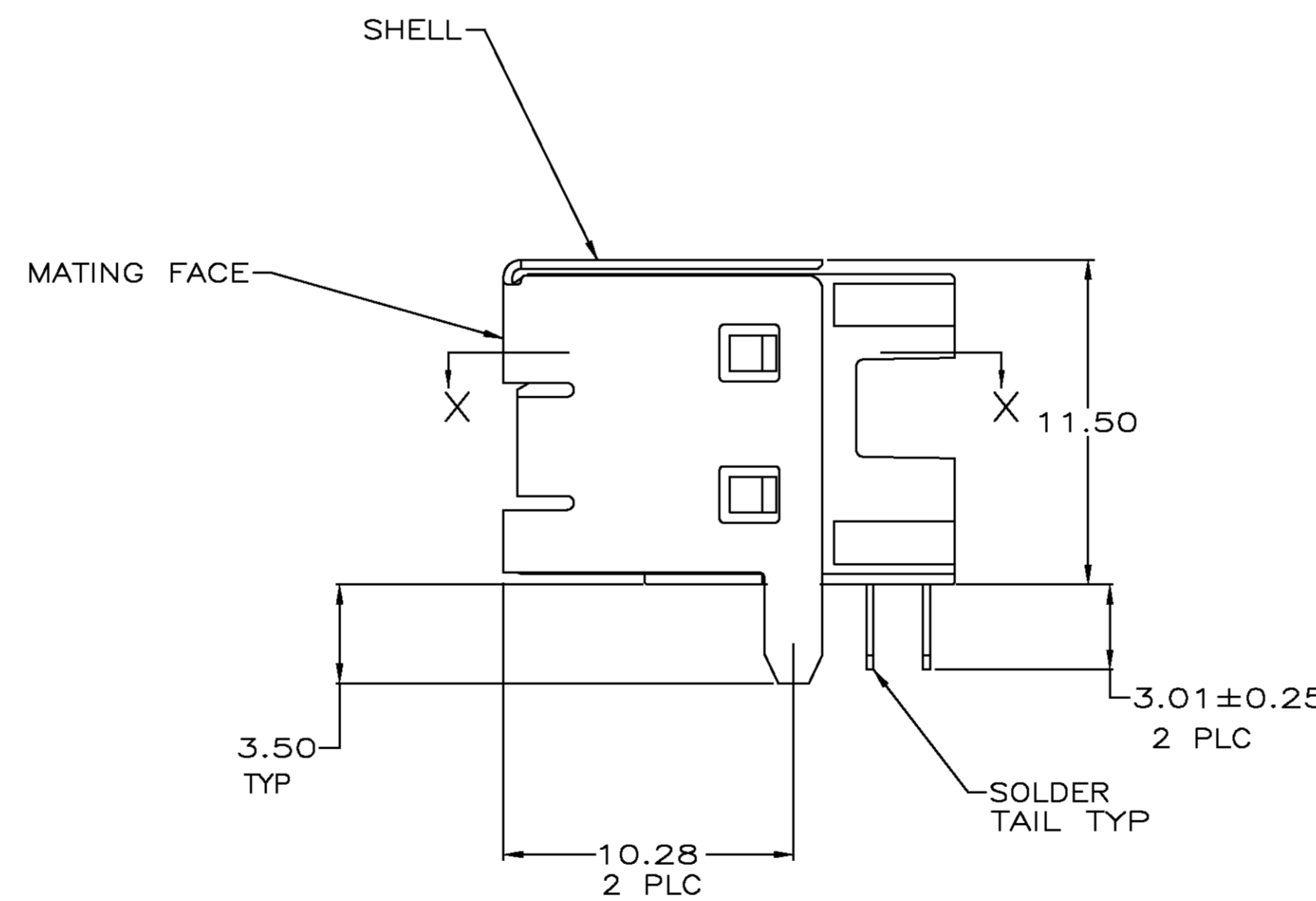
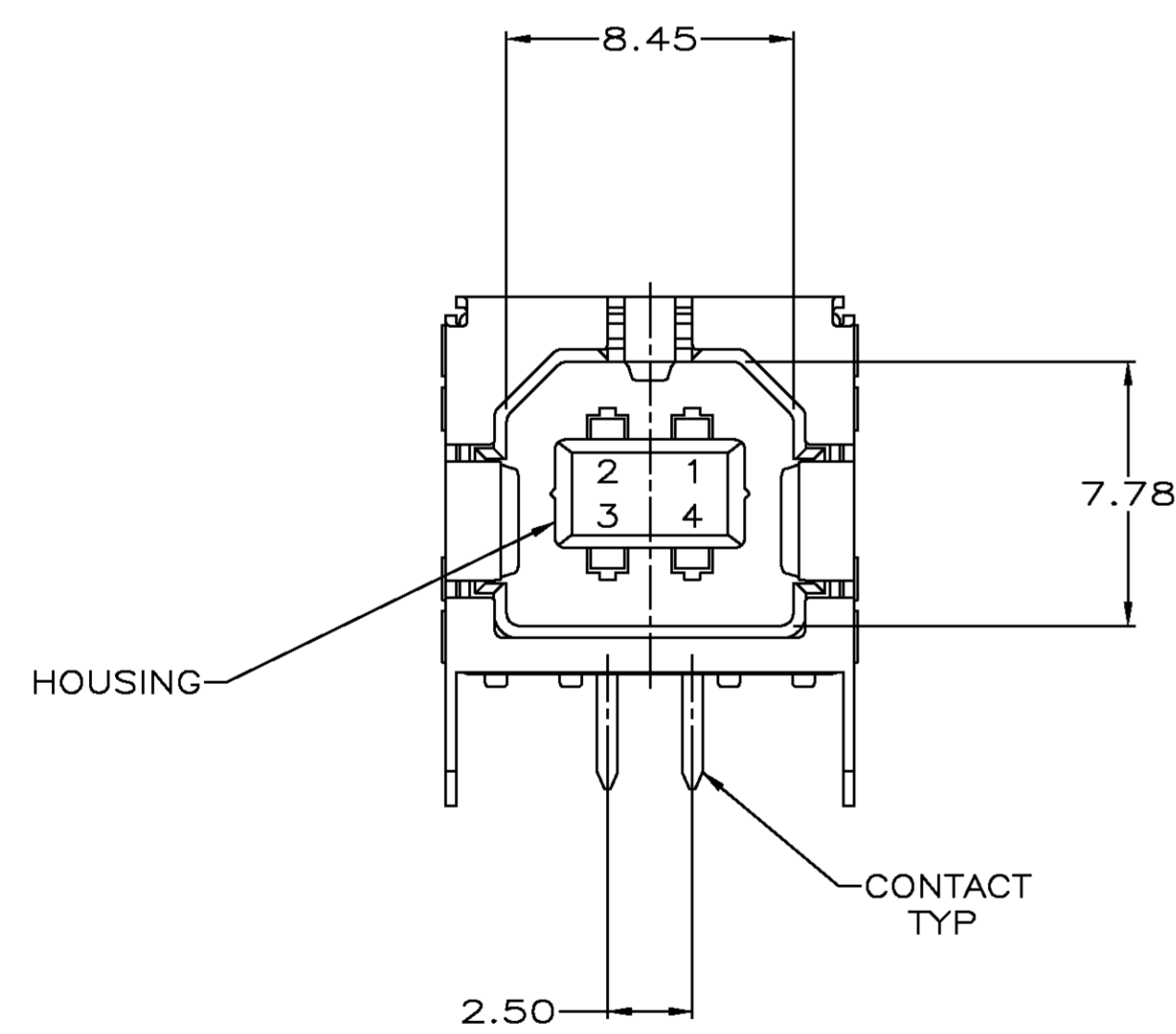
- △ CONTACTS: COPPER ALLOY.
- Ⓢ SHELL: STAINLESS STEEL.
- HOUSING: UL 94V-0 RATED THERMOPLASTIC, COLOR: SEE TABLE.
- △ CONTACTS: 0.076 um MINIMUM GOLD OVER
0.76 um MINIMUM PALLADIUM NICKEL ON MATING AREA.
3.80 um MINIMUM MATTE TIN ON SOLDER TAILS
ALL OVER 1.27 um MINIMUM NICKEL.
SHELL: 2~5 um MINIMUM BRIGHT TIN.
- △ DATUM AND BASIC DIMENSIONS ESTABLISHED BY CUSTOMER.
- △ RECOMMENDED PC BOARD THICKNESS 1.57.
- △ CONTACTS: 0.076 um MINIMUM GOLD OVER
0.76 um MINIMUM PALLADIUM NICKEL ON MATING AREA.
3.80 um MINIMUM MATTE TIN ON SOLDER TAILS
ALL OVER 1.27 um MINIMUM NICKEL.
SHELL: 1.27 um MINIMUM NICKEL ALL OVER, TIN DIPPED ON TAILS.
- 6 RECOMMEND:
MATING FORCE: 35N MAX.
UNMATING FORCE: 13N MIN.
RECOMMENDED MATING PLUG SHOULD MEET USB2.0 STANDARD.
- △ OBSOLETE PARTS: OBSOLETE CIS STREAMLINING PER D.RENAUD/D.SINISI



SECTION X-X



RECOMMENDED PC BOARD MOUNTING DIMENSIONS



△ OBSOLETE	YES	△	BLACK	292317-4
	NO	△	BLACK	292317-3
SUPERSEDED BY 292317-4	YES	△	BLACK	292317-1

HIGH TEMPERATURE COMPATIBLE		FINISH	HOUSING COLOR	PART NUMBER
DIMENSIONS: mm		TOLERANCES UNLESS OTHERWISE SPECIFIED:		
		0 PLC	±	
		1 PLC	±	
		2 PLC	± 0.10	
		3 PLC	±	
		4 PLC	±	
		ANGLES	±	
MATERIAL	FINISH	WEIGHT	SIZE	CAGE CODE
△	SEE TABLE	-	A1	00779
CUSTOMER DRAWING		DRAWING NO. ©=292317		
		SCALE 5:1 SHEET 1 OF 1 REV C3		

单击下面可查看定价，库存，交付和生命周期等信息

[>>TE Connectivity\(泰科\)](#)