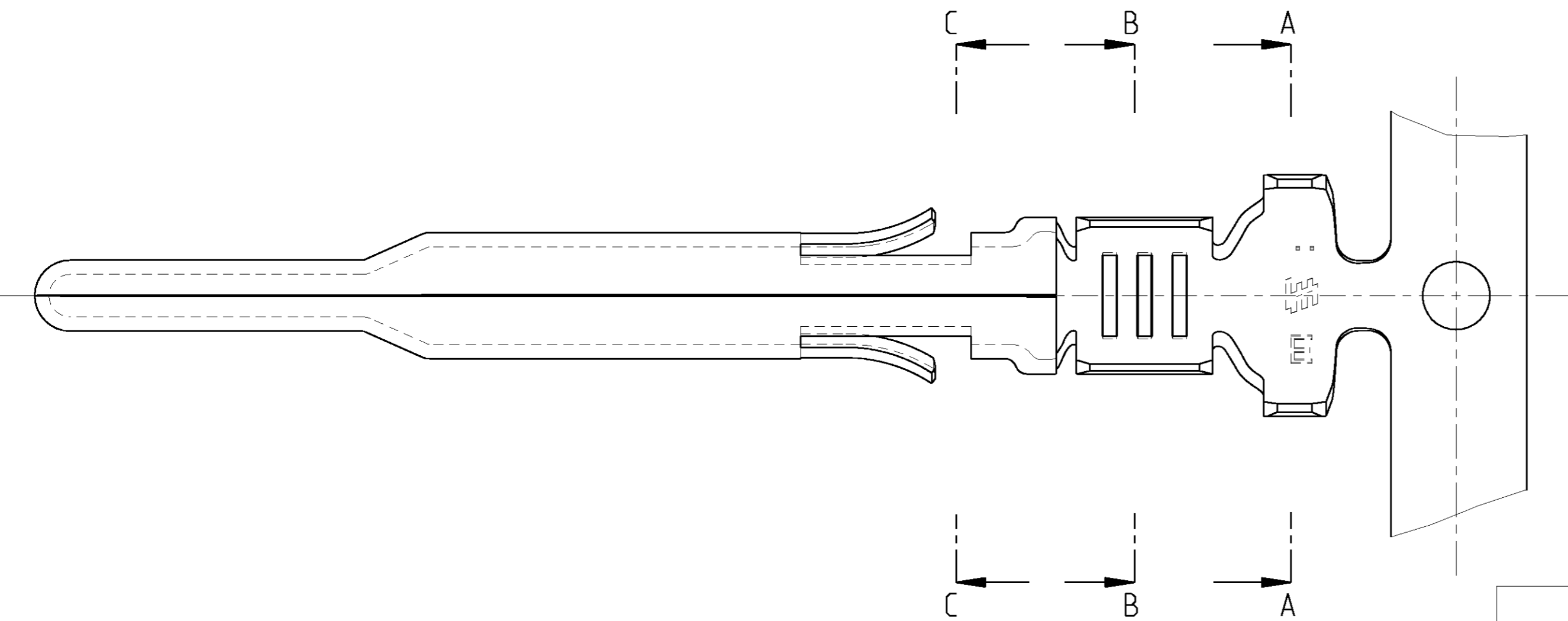
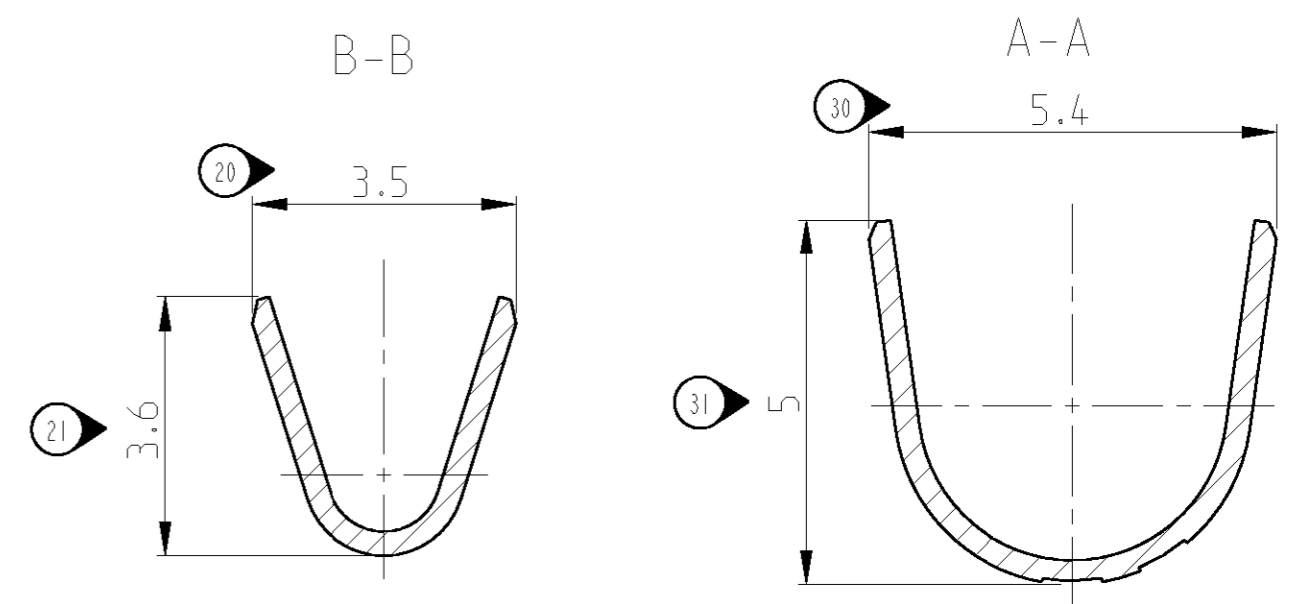
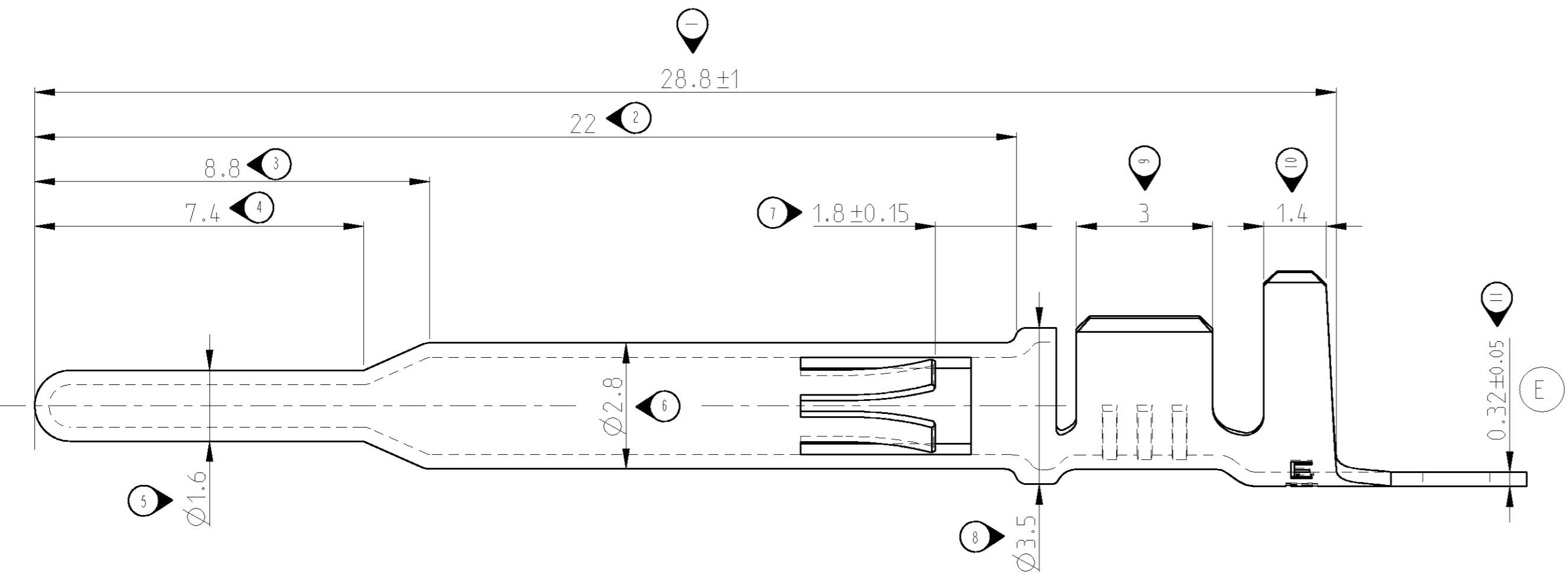
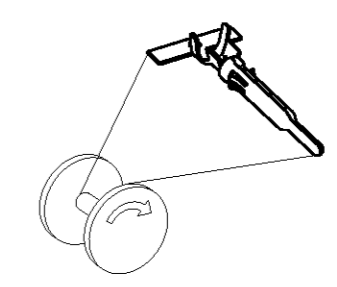


THIS DRAWING IS UNPUBLISHED. RELEASED FOR PUBLICATION 2007
 © COPYRIGHT 2007 BY TYCO ELECTRONICS CORPORATION. ALL RIGHTS RESERVED.

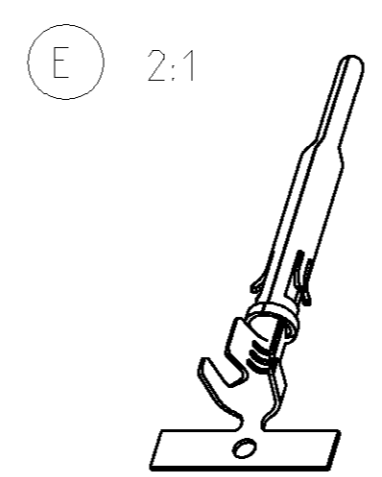
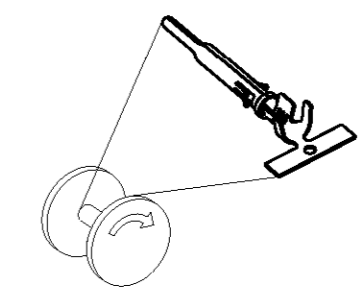
LOC	DIST	REVISIONS					
GT		P	LTR	DESCRIPTION	DATE	DWN	APVD
		E		SEE ECR-07-011920	15JUN2007	TK	RVL



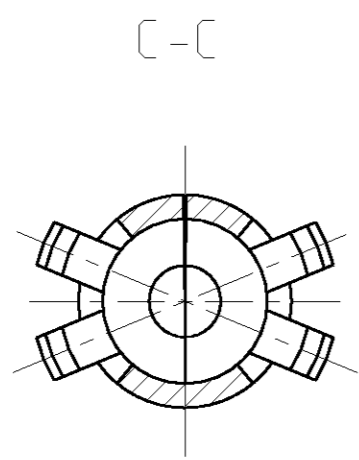
(E) REELING, DIRECTION OFF THE REEL



(E) REELING, DIRECTION OFF THE REEL



Ø2.4-3.7	1.0-2.5	PRETINNED	CuZn30 R500	925628-1	E	2	925626-6
		PRETINNED	CuSn4 R520	925628-2	E	2	925626-5
		PRESILVERED	CuSn4 R520	-	E	1	925626-3
		PRETINNED	CuSn4 R520	925628-2	E	1	925626-2
		PRETINNED	CuZn30 R500	925628-1	E	1	925626-1
INSULATION RANGE Isolations- durchmesser	WIRE RANGE DGB [mm ²]	FINISH Oberfläche	MATERIAL	TYCO ORDER No. LOOSE PIECE Einzelstückführung	REV		TYCO ORDER No. STRIP FORM Bandware



THIS DRAWING IS A CONTROLLED DOCUMENT FOR TYCO ELECTRONICS CORPORATION IT IS SUBJECT TO CHANGE AND THE CONTROLLING ENGINEERING ORGANIZATION SHOULD BE CONTACTED FOR THE LATEST REVISION.		DWN T.Konecny 05JUN2007	Tyco Electronics Czech s.r.o. CZ - K AMP 1293, 664 34 Kurim	
DIMENSIONS: mm		CHK J.Skoda 12JUN2007	NAME CIC PIN CONTACT CIC Stiff	
TOLERANCES UNLESS OTHERWISE SPECIFIED: 1 PLC ±0.4 2 PLC ±0.4 3 PLC ±0.4 PLC ANGLES ±1° FINISH		APVD R.Vitek 14JUN2007	SIZE A2	
MATERIAL SEE TABLE		PRODUCT SPEC -	CAGE CODE 00779	DRAWING NO G-925626
SEE TABLE		APPLICATION SPEC -	RESTRICTED TO -	SCALE 10:1
SEE TABLE		WEIGHT -	SHEET 1 OF 1	REV E
CUSTOMER DRAWING				

单击下面可查看定价，库存，交付和生命周期等信息

[>>TE Connectivity\(泰科\)](#)