

4

3

2

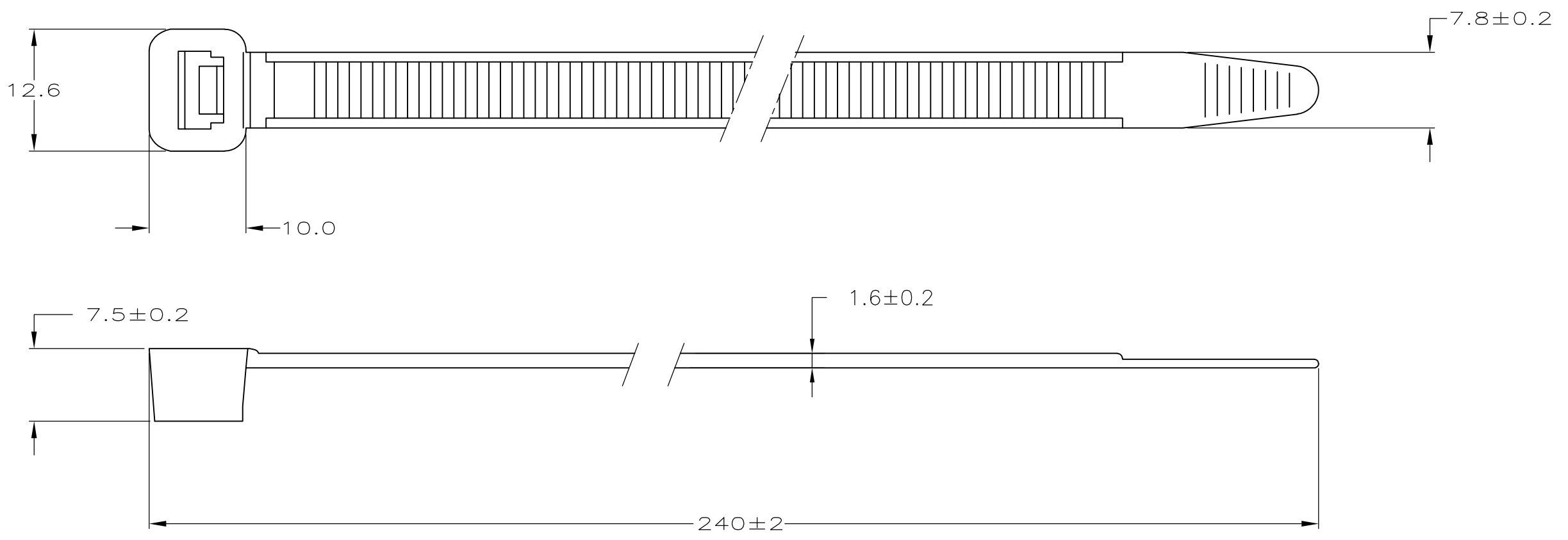
1

THIS DRAWING IS UNPUBLISHED. RELEASED FOR PUBLICATION
 © COPYRIGHT - By - ALL RIGHTS RESERVED.

LOC	DIST	REVISIONS				
P	LTR	DESCRIPTION	DATE	DWN	APVD	
H	-	C	VENDOR CHANGE; DIMENSION CHANGE ROLL BACK	30DEC2012	SP	RP

NOTES:

- 1 RANGE: $\phi 63$ MAX.
- 2 MIN. TENSILE STRENGTH 550N.
- $\triangle 3$ OBSOLETE



100	BLACK	POLYAMIDE 6.6	2-160981-2
100	NATURAL	POLYAMIDE 6.6	$\triangle 3$ 2-160981-1
QTY	FINISH	MATERIAL	PART NUMBER

THIS DRAWING IS A CONTROLLED DOCUMENT.		DWN	J.V.D.HEIJDEN.	27-02-92	STE TE Connectivity			
DIMENSIONS: mm		CHK	R.VOS.	APVD				L.V.SOEST.
TOLERANCES UNLESS OTHERWISE SPECIFIED:		PRODUCT SPEC			CABLE TY.			
<ul style="list-style-type: none"> 0 PLC ± - 1 PLC ± 0.4 2 PLC ± - 3 PLC ± - 4 PLC ± - ANGLES ± - 		APPLICATION SPEC			SIZE	CAGE CODE	DRAWING NO	RESTRICTED TO
MATERIAL SEE TABLE		WEIGHT -			A3	00779	C-160981	-
FINISH SEE TABLE		CUSTOMER DRAWING			SCALE	NTS	SHEET	1 OF 1
							REV	C

单击下面可查看定价，库存，交付和生命周期等信息

[>>TE Connectivity\(泰科\)](#)