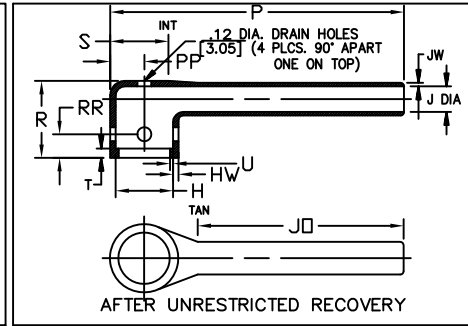
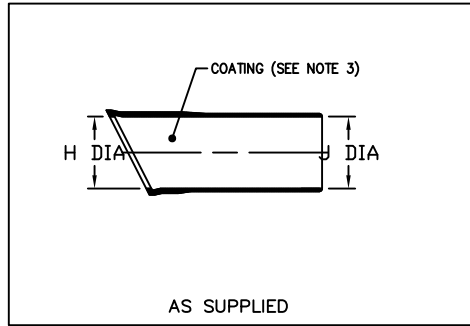


NOTES

- All dimensions are in $\frac{\text{inches}}{\text{[millimeters]}}$
- Dimensions appearing in table are as follows:
 a - As Supplied
 b - After Unrestricted Recovery
- Coating is optional. As supplied dimensions appearing in table are for uncoated parts. When coating is added, entry diameters will be reduced by .06 max.



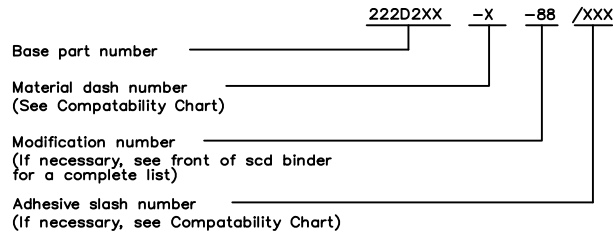
DIMENSIONING AND TOLERANCING PER ASME Y14.5M (ISO STANDARDS)

REVISIONS		
LTR	DESCRIPTION	DATE
B	REVISED PER ECO-12-007619	04/20/2012

TABLE OF DIMENSIONS

PART NUMBER	H		-3,-4,-25	-5,-6,-8,-12,-100		±10%	R	S	T	U	JO ±10%	PP ±10%	RR ±10%	HW ±20%	JW ±20%
	Min	Max		Min	Max										
	a	b		a	b										
222D211-X-88	.88 [22,4]	.45 [11,4]	.88 [22,4]	.55 [14,0]	.25 [6,4]	4.14 [105,2]	.73 [18,5]	.47 [11,9]	.12 [3,05]	.04 [1,02]	3.45 [87,6]	.27 [6,9]	.47 [11,9]	.06 [1,52]	.045 [1,14]
222D221-X-88	1.01 [25,7]	.59 [15,0]	1.01 [25,7]	.63 [16,0]	.29 [7,4]	4.88 [124,0]	.78 [19,8]	.60 [15,2]	.12 [3,05]	.04 [1,02]	3.90 [99,1]	.35 [8,4]	.47 [11,9]	.06 [1,52]	.045 [1,14]
222D232-X-88	1.16 [29,5]	.74 [18,8]	1.16 [29,5]	.72 [18,3]	.33 [8,4]	5.76 [146,3]	.82 [20,8]	.75 [19,1]	.12 [3,05]	.04 [1,02]	4.50 [114,3]	.41 [10,4]	.47 [11,9]	.07 [1,78]	.045 [1,14]
222D242-X-88	1.34 [34,0]	.90 [22,9]	1.34 [34,0]	.84 [21,3]	.38 [9,7]	6.78 [172,2]	.86 [21,8]	.90 [22,9]	.12 [3,05]	.04 [1,02]	5.22 [132,6]	.48 [12,2]	.47 [11,9]	.07 [1,78]	.045 [1,14]
222D253-X-88	1.47 [37,3]	1.16 [29,5]	1.47 [37,3]	.91 [23,1]	.41 [10,4]	7.29 [185,2]	.96 [24,4]	1.15 [29,2]	.12 [3,05]	.065 [1,65]	5.66 [143,8]	.61 [15,5]	.47 [11,9]	.08 [2,03]	.045 [1,14]
222D263-X-88	1.72 [43,7]	1.34 [34,0]	1.72 [43,7]	1.07 [27,2]	.48 [12,2]	8.41 [213,6]	1.08 [27,4]	1.32 [33,5]	.12 [3,05]	.065 [1,65]	6.66 [169,2]	.72 [18,3]	.47 [11,9]	.08 [2,03]	.045 [1,14]
222D274-X-88	1.97 [50,0]	1.62 [41,1]	1.97 [50,0]	1.24 [31,5]	.56 [14,2]	8.84 [224,5]	1.16 [29,5]	1.59 [40,4]	.12 [3,05]	.065 [1,65]	6.82 [173,2]	.83 [21,1]	.47 [11,9]	.09 [2,29]	.055 [1,40]
222D285-X-88	2.47 [62,7]	1.85 [47,0]	2.47 [62,7]	1.54 [39,1]	.69 [17,5]	8.95 [227,3]	1.31 [33,3]	1.81 [46,0]	.12 [3,05]	.08 [2,03]	6.62 [168,1]	.95 [24,1]	.63 [16,0]	.10 [2,54]	.055 [1,40]
222D296-X-88	2.73 [69,3]	2.35 [59,7]	2.73 [69,3]	1.70 [43,2]	.77 [19,6]	9.19 [233,4]	1.38 [35,1]	2.28 [57,9]	.12 [3,05]	.08 [2,03]	6.19 [157,2]	1.18 [30,0]	.63 [16,0]	.10 [2,54]	.055 [1,40]
222D299-X-88	3.22 [81,8]	2.64 [67,1]	3.22 [81,8]	2.01 [51,1]	.90 [22,9]	9.33 [237,0]	1.75 [44,5]	2.55 [64,8]	.12 [3,05]	.08 [2,03]	5.95 [151,1]	1.31 [33,3]	.63 [16,0]	.10 [2,54]	.055 [1,40]

ORDERING INFORMATION



If this document is printed it becomes uncontrolled. Check for the latest revision

COMPATABILITY CHART

MATERIAL DASH NO.	MATERIAL DESCRIPTION	RT SPEC	COATING SLASH NO.	COATING S NO.	COATING DESCRIPTION
-3	Polyolefin, Semi-rigid	RT-301	/42;/86;/180	S-1017;S-1048;S-1030	Adhesive
-4	Polyolefin, Flexible	RT-1304	/42;/86;/180	S-1017;S-1048;S-1030	Adhesive
-5	Elastomer, Flexible	RT-501	N/A		
-6	Silicone	RT-602	N/A		
-8	Polyolefin, Space	RT-1308	N/A		
-12	*VITON, Flexible	RT-1312	N/A		
-25	Elastomer, Fluid Resistant	RT-1325	/42;/86	S-1017;S-1048	Adhesive
-100	Polyolefin, Semi-flexible ZEROHAL	RT-1323	/184	S-1030	Adhesive

*VITON is a Registered Trademark of Dupont

Raychem Molded Parts

CUSTOMER DRAWING

THIS DRAWING AND THE INFORMATION SET FORTH HEREON ARE THE PROPERTY OF TYCO ELECTRONICS CORPORATION, AND ARE TO BE HELD IN TRUST AND CONFIDENCE. PUBLICATION, DUPLICATION, DISCLOSURE OR USE FOR ANY PURPOSE NOT EXPRESSLY AUTHORIZED IN WRITING BY TYCO ELECTRONICS CORPORATION IS PROHIBITED.

UNLESS OTHERWISE SPECIFIED DIMENSIONS ARE METRIC AND INCHES ARE IN BRACKETS. DECIMAL TOLERANCES XXX ± 0.13 (.005) XX ± 0.25 (.01) X ± 0.50 (.10) ANGLE TOLERANCE .X ± 1 DEG.	DRAWN M Mazariegos 4/10/12	APPROVED D.Hurrell 4/17/11	 TE Connectivity
	RPN	TITLE BOOT, 90°, WITH LIPS	
CAD FILE: 222D2XX-X-88_CD	THIRD ANGLE PROJECTION	SIZE B	CODE IDENT. NO. 06090
TYCO ELECTRONICS RESERVES THE RIGHT TO AMEND THIS DRAWING AT ANY TIME. USERS SHOULD EVALUATE THE SUITABILITY OF THE PRODUCT FOR THEIR APPLICATION. © 2012 Tyco Electronics Corporation. All rights reserved.	DWG. NO. 222D2XX-X-88	SHEET 1 OF 1	

单击下面可查看定价，库存，交付和生命周期等信息

[>>TE Connectivity\(泰科\)](#)