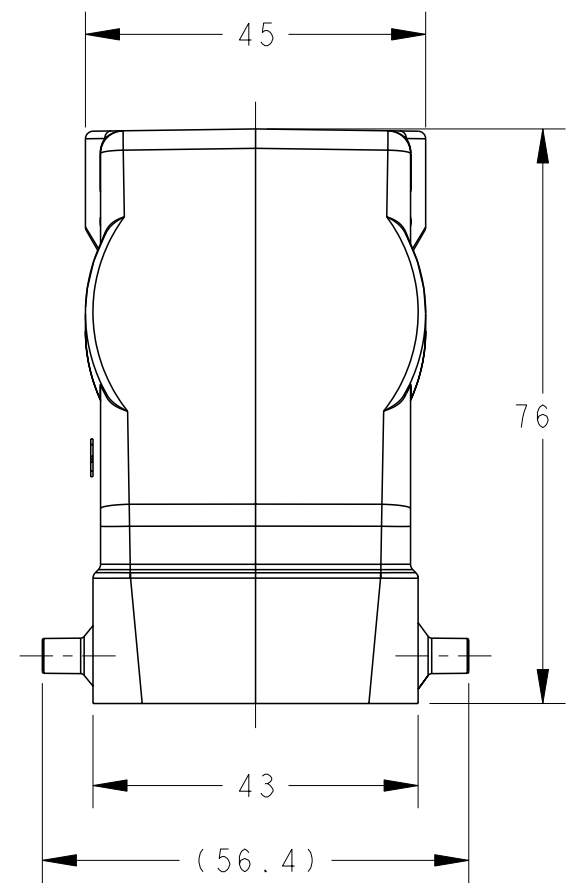
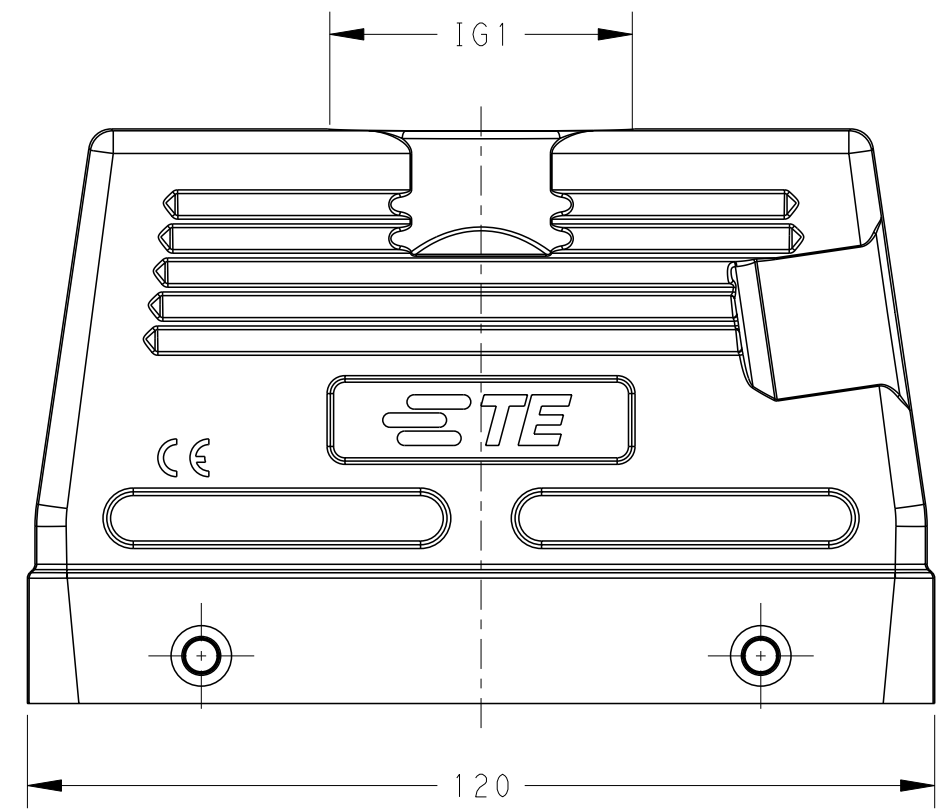


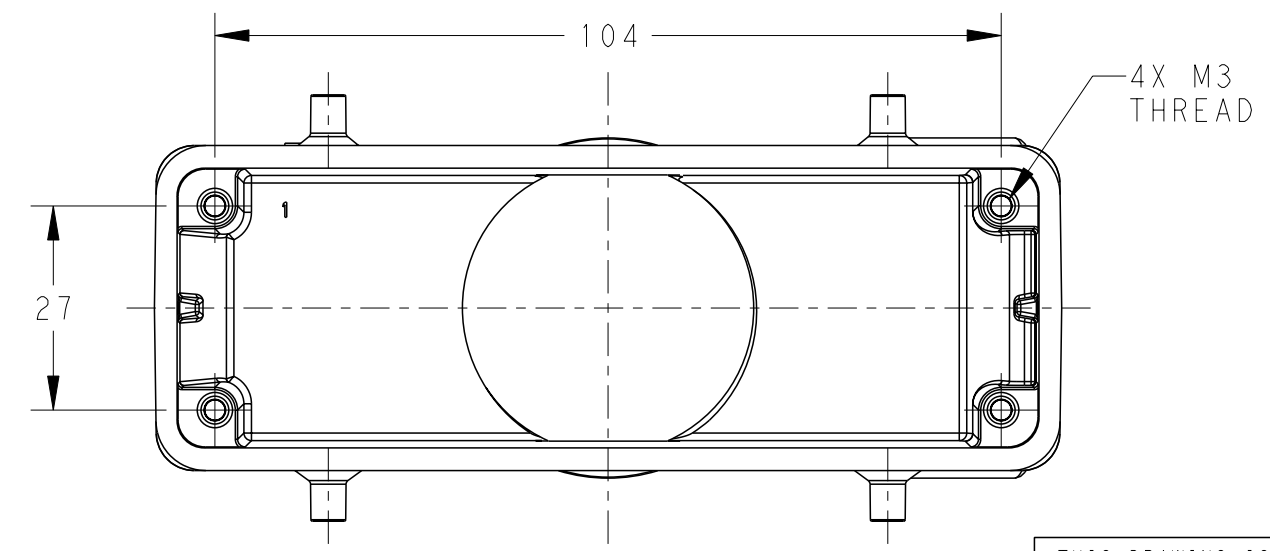
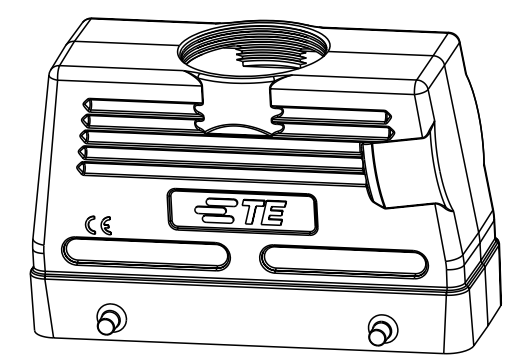
THIS DRAWING IS UNPUBLISHED. RELEASED FOR PUBLICATION 20  
 © COPYRIGHT 20 BY - ALL RIGHTS RESERVED.

P	LTR	DESCRIPTION	DATE	DWN	APVD
	A	INITIAL	01JUN2015	DW	CW
	B	ECR-20-014876	04NOV2020	WQR	CW




NOTES:  
 1. TECHNICAL CHARACTERISTICS:  
 HOOD MATERIAL: DIE CAST ALUMINIUM ALLOY  
 SURFACE: POWDER COATED, GREY  
 DEGREE OF PROTECTION: IP65 (MATED)

注释:  
 1. 技术参数:  
 上壳材料: 铝合金  
 表面处理: 粉末涂层, 灰色  
 防护等级: IP65(配合)



T1240240140-000	H24B-TGH-M40	HIGH CONSTRUCTION	M40
T1240240136-000	H24B-TGH-M36		M36
T1240240132-000	H24B-TGH-M32		M32
T1240240129-000	H24B-TGH-PG29		PG29
T1240240125-000	H24B-TGH-M25		M25
T1240240121-000	H24B-TGH-PG21		PG21
PART NUMBER	DESCRIPTION	TYPE	IG1

THIS DRAWING IS A CONTROLLED DOCUMENT.

DWN	01JUN2015	 TE Connectivity	NAME	H24B-TGH-M/PG		
CHK	01JUN2015					
APVD	01JUN2015					
PRODUCT SPEC	108-137013					
APPLICATION SPEC	114-137013	SIZE	CAGE CODE	DRAWING NO	RESTRICTED TO	
WEIGHT	-	A3	00779	©-T12402401XX000	-	
Customer Drawing	SCALE	1:1	SHEET	1 OF 1	REV	B

DIMENSIONS:	TOLERANCES UNLESS OTHERWISE SPECIFIED:
mm	
	0 PLC ±-
	1 PLC ±-
	2 PLC ±-
	3 PLC ±-
	4 PLC ±-
	ANGLES ±-
MATERIAL	FINISH
-	-
-	-

printed on 24 Jun 2021 10:42 (China Standard Time) from TE343646

单击下面可查看定价，库存，交付和生命周期等信息

[>>TE Connectivity\(泰科\)](#)