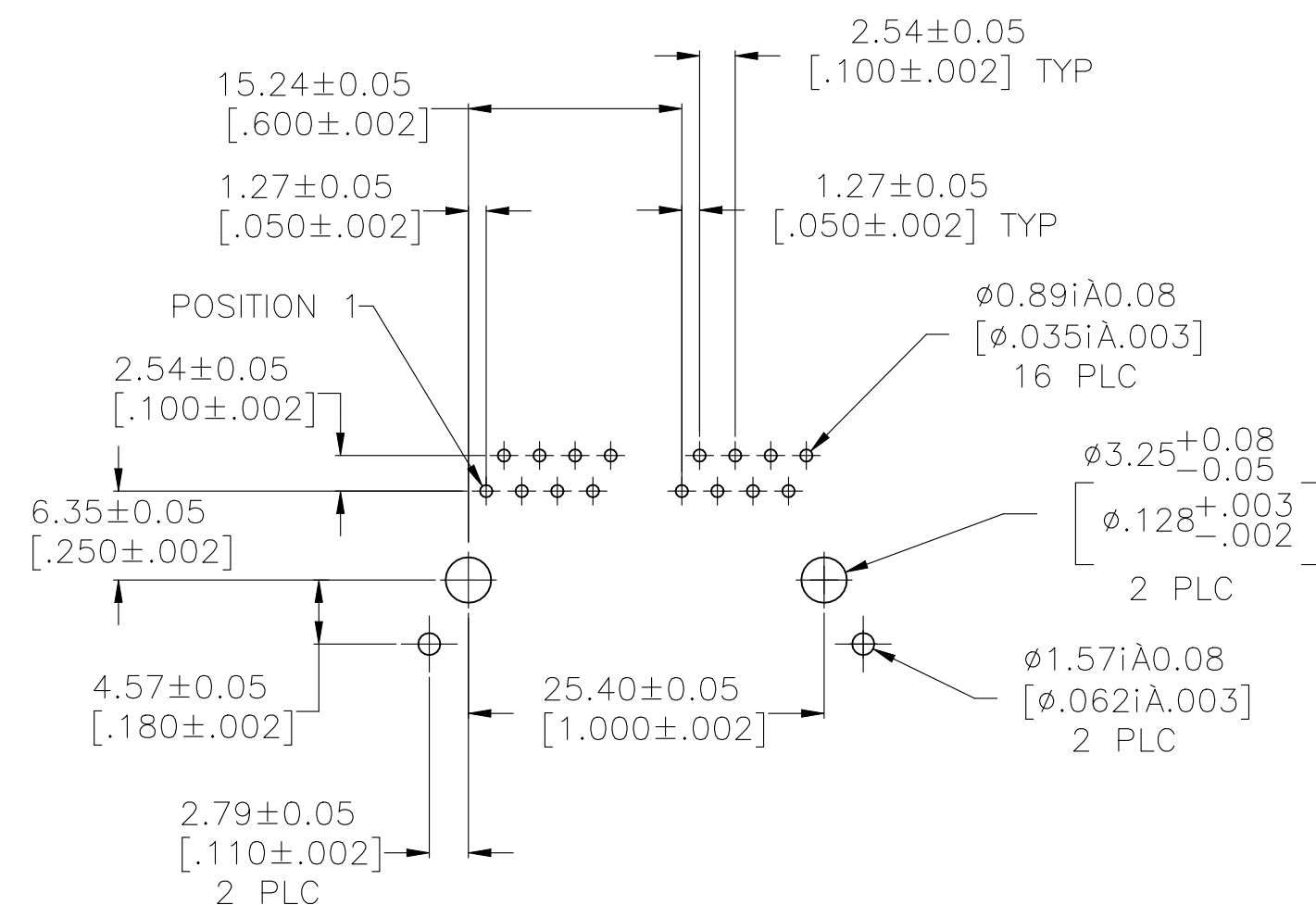
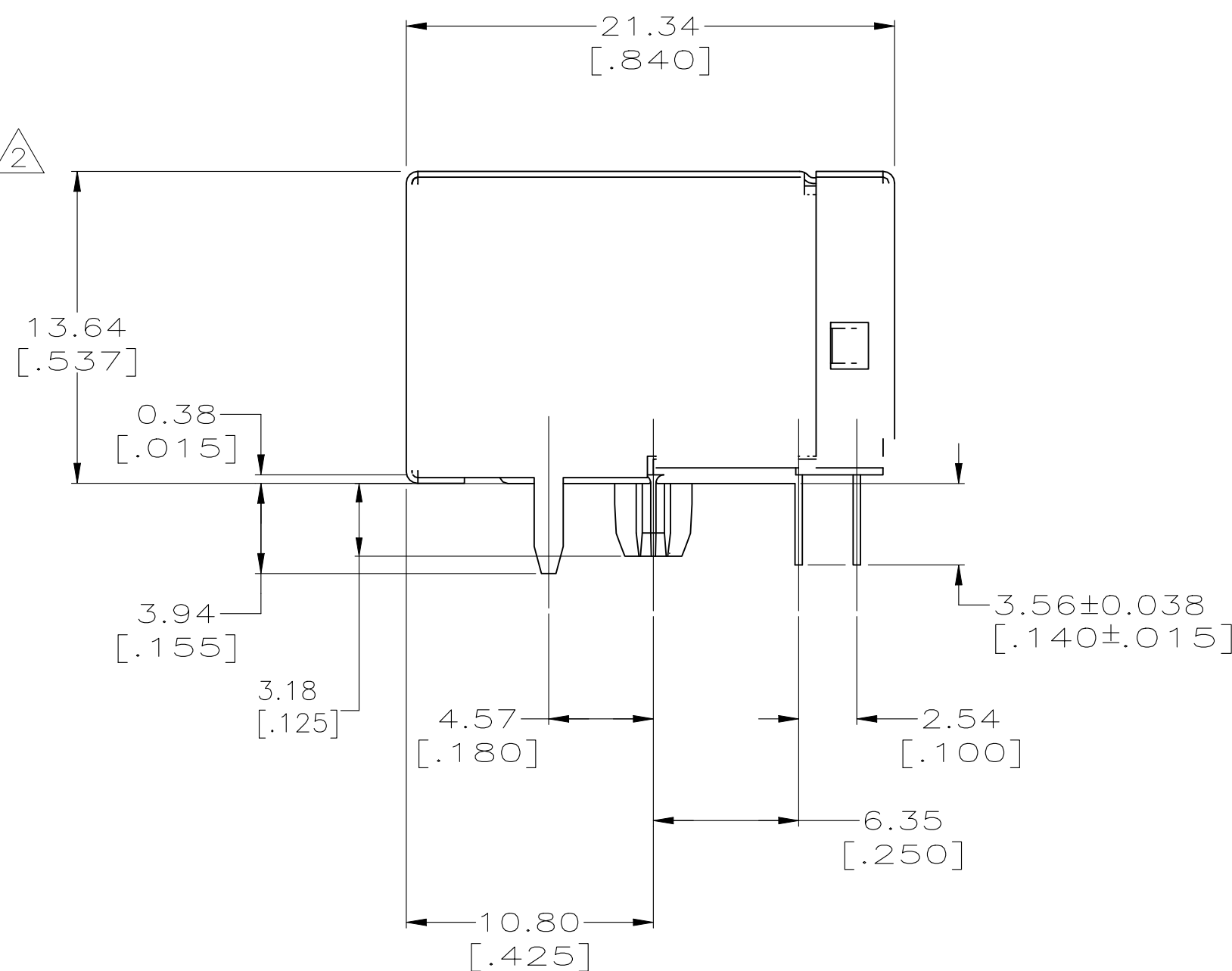
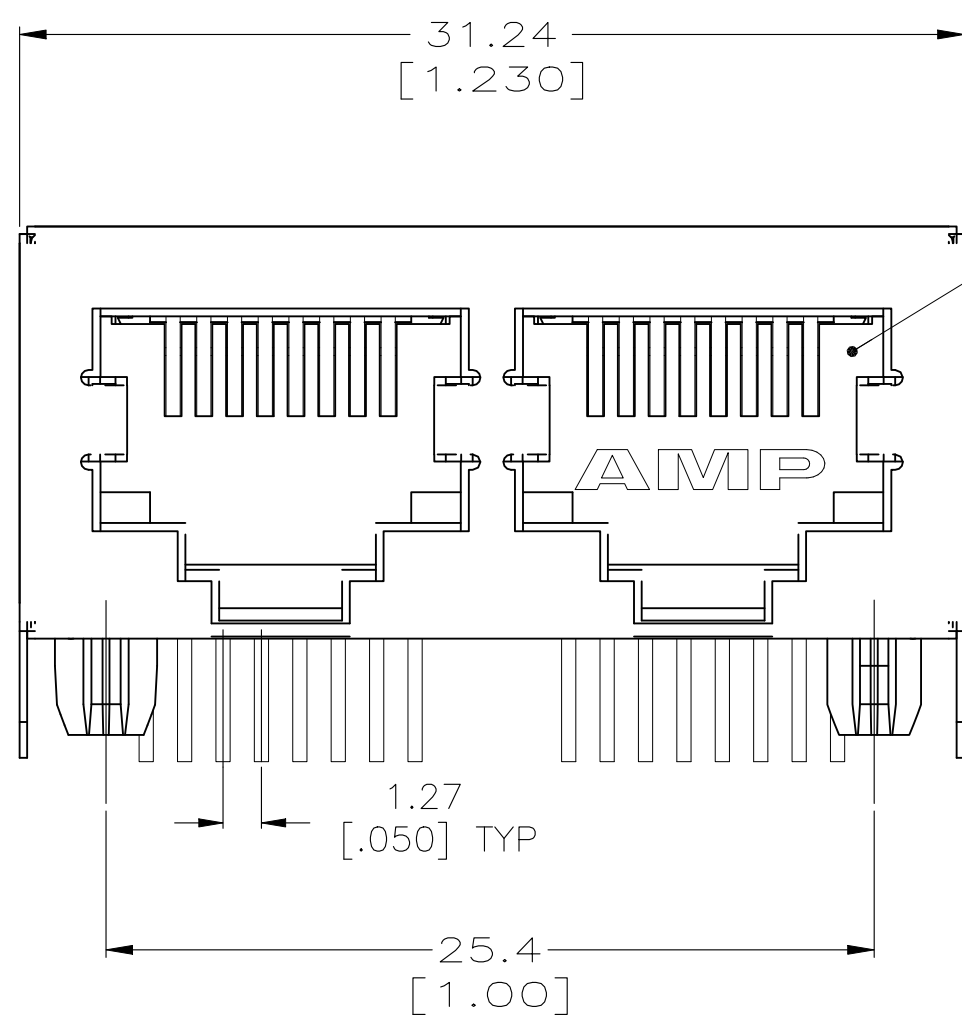


REVISIONS					
P	LTR	DESCRIPTION	DATE	DWN	APVD
	D2	ECR-19-014657	13DEC2020	RR	SZ



RECOMMENDED PC BOARD LAYOUT
COMPONENT SIDE
SEE APPLICATION SPECIFICATION

- ⚠ MATERIAL:
HOUSING - NYLON, COLOR: BLACK, UL 94V-0.
OVERMOLDED TERMINAL ARRAY - PBT, BROWN.
TERMINAL - 0.33[.013] THICK PHOS-BRONZE PLATED WITH 1.27um[.000050] THICK HARD GOLD IN LOCALIZED GOLD PLATE AREA AND 3.81um[.000150] THICK MATTE TIN IN SOLDER AREA OVER 1.27um[.000050] THICK NICKEL UNDERPLATE.
SHIELDS - 0.25 [.010] THICK COPPER ALLOY PLATED WITH 1.27 um [.000050] MINIMUM NICKEL AND 2.03 um [.000080] MINIMUM HOT TIN DIP ON PCB GROUND TABS.
- ⚠ JACK CAVITY CONFORMS TO FCC RULES AND REGULATIONS PART 68, SUBPART F.
- ⚠ MATERIAL:
HOUSING - NYLON, COLOR: BLACK, UL 94V-0.
OVERMOLDED TERMINAL ARRAY - HTN.
TERMINAL - 0.33[.013] THICK PHOS-BRONZE PLATED WITH 1.27um[.000050] THICK HARD GOLD IN LOCALIZED GOLD PLATE AREA AND 3.81 IN SOLDER AREA OVER 1.27 UNDERPLATE.
SHIELDS - 0.25 [.010] THICK COPPER ALLOY PLATED WITH 1.27 um [.000050] MINIMUM NICKEL AND 2.03 um [.000080] MINIMUM HOT TIN DIP ON PCB GROUND TABS.

⚠	5406443-2
⚠	5406443-1
MATERIAL	PART NUMBER

THIS DRAWING IS A CONTROLLED DOCUMENT.		DWN	10MAY2005	DL DRUMMOND/L.A.MAYER	
DIMENSIONS:		CHK	10MAY2005	J.WESTMAN	
mm	TOLERANCES UNLESS OTHERWISE SPECIFIED:	APVD	10MAY2005	S.FLICKINGER	
	0 PLC ± -	PRODUCT SPEC	108-1163-2		
	1 PLC ± -	APPLICATION SPEC	114-2048		
	2 PLC ± 0.25[.01]	SIZE	A2	CAGE CODE	00779
	3 PLC ± 0.13[.005]	WEIGHT	0.000000		
	4 PLC ± -	CUSTOMER DRAWING	SCALE 4:1 SHEET 1 OF 1 REV D2		
	ANGLES ± -	TE Connectivity			
SEE NOTE 1		MODULAR JACK ASY, 2 PORT,8 POSITION,CAT 5e, STD PIN OUT,RIGHT ANGLE,SHIELDED			
SEE NOTE 1		DRAWING NO 5406443			

单击下面可查看定价，库存，交付和生命周期等信息

[>>TE Connectivity\(泰科\)](#)