

| DIM C          | DIM B | DIM A | POS. | PART NUMBER |
|----------------|-------|-------|------|-------------|
| 32.74          | 34.0  | 30.0  | 32   | 3-1470108-2 |
| 30.74          | 32.0  | 28.0  | 30   | 3-1470108-0 |
| 28.74          | 30.0  | 26.0  | 28   | 2-1470108-8 |
| 26.74          | 28.0  | 24.0  | 26   | 2-1470108-6 |
| 24.74          | 26.0  | 22.0  | 24   | 2-1470108-4 |
| 22.74          | 24.0  | 20.0  | 22   | 2-1470108-2 |
| 20.74          | 22.0  | 18.0  | 20   | 2-1470108-0 |
| REACTIVE 18.74 | 20.0  | 16.0  | 18   | 1-1470108-8 |
| 16.74          | 18.0  | 14.0  | 16   | 1-1470108-6 |
| 14.74          | 16.0  | 12.0  | 14   | 1-1470108-4 |
| 12.74          | 14.0  | 10.0  | 12   | 1-1470108-2 |
| 10.74          | 12.0  | 8.0   | 10   | 1-1470108-0 |
| 8.74           | 10.0  | 6.0   | 8    | 1470108-8   |
| 6.74           | 8.0   | 4.0   | 6    | 1470108-6   |

NOTE:

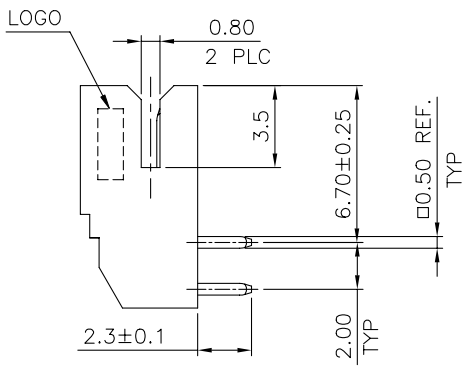
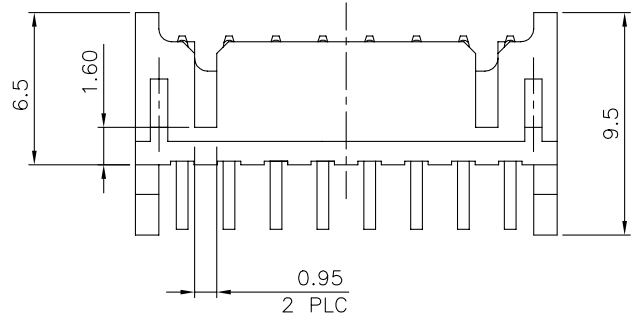
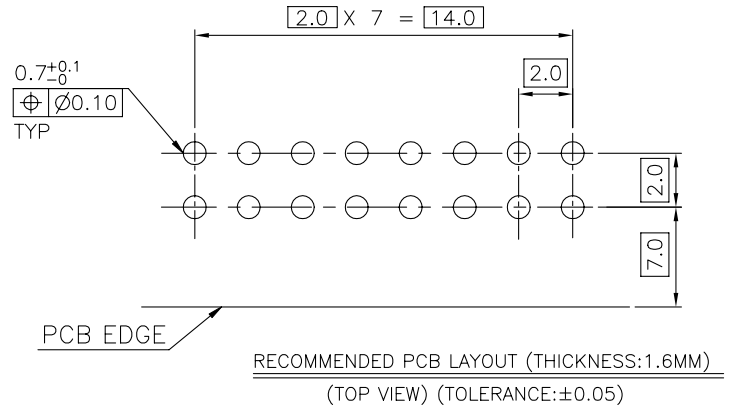
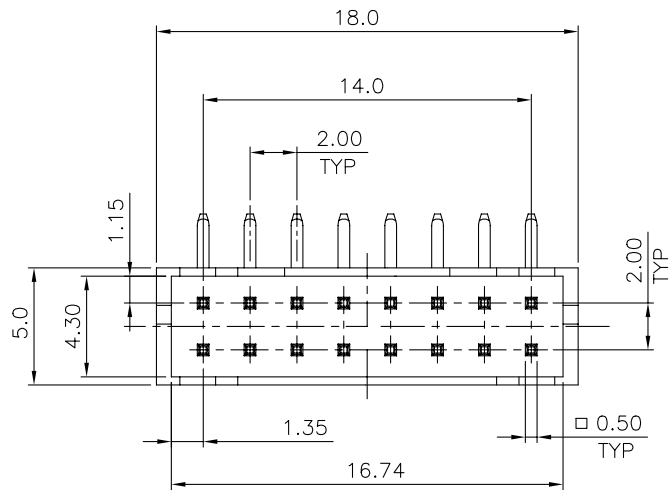
- MATERIAL:  
HOUSING: THERMOPLASTIC UL94V-0, NATURAL COLOR.  
CONTACT: BRASS, THICKNESS=0.20MM.
- FINISH:  
CONTACT: 100u" MIN. TIN PLATED ON CONTACT AREA,  
30u" MIN. NICKEL UNDERPLATED OVER ALL.
- WAVE SOLDER CAPABLE TO 240°C PER TEST SPEC.  
109-202, CONDITION B.

|  |  |                              |  |                         |                    |
|--|--|------------------------------|--|-------------------------|--------------------|
| THIS DRAWING IS A CONTROLLED DOCUMENT.   |  | DWN<br>J. LEE<br>24OCT2005   | TE Connectivity<br>2.0MM PITCH HEADER, DIP, RIGHT ANGLE TYPE |                         |                    |
| DIMENSIONS:<br>MM  |  | CHK<br>S. HOU<br>24OCT2005   |  |                         |                    |
| TOLERANCES UNLESS OTHERWISE SPECIFIED:   |  | APVD<br>W.J. KE<br>24OCT2005 | NAME   |                         |                    |
| 0 PLC ± -<br>1 PLC ± 0.3<br>2 PLC ± 0.2<br>3 PLC ± 0.1<br>4 PLC ± -<br>ANGLES ± 3° |  | PRODUCT SPEC<br>108-57217    | QUALIFICATION TEST REPORT                                    |                         |                    |
| MATERIAL<br>SEE NOTE   |  | FINISH<br>SEE NOTE           | 501-57218  | SIZE<br>A3              | CAGE CODE<br>00779 |
|  |  |                              | WEIGHT<br>- GRAMS  | DRAWING NO<br>C=1470108 | RESTRICTED TO<br>- |
|  |  |                              | CUSTOMER DRAWING   | SCALE<br>-              | SHEET<br>1 of 3    |
|  |  |                              |  | REV<br>F5               |                    |

4 3 2 1

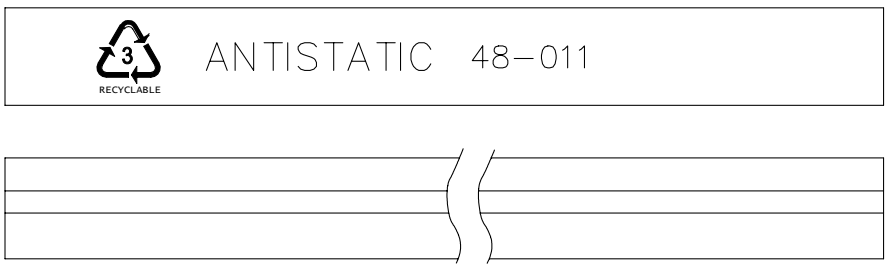
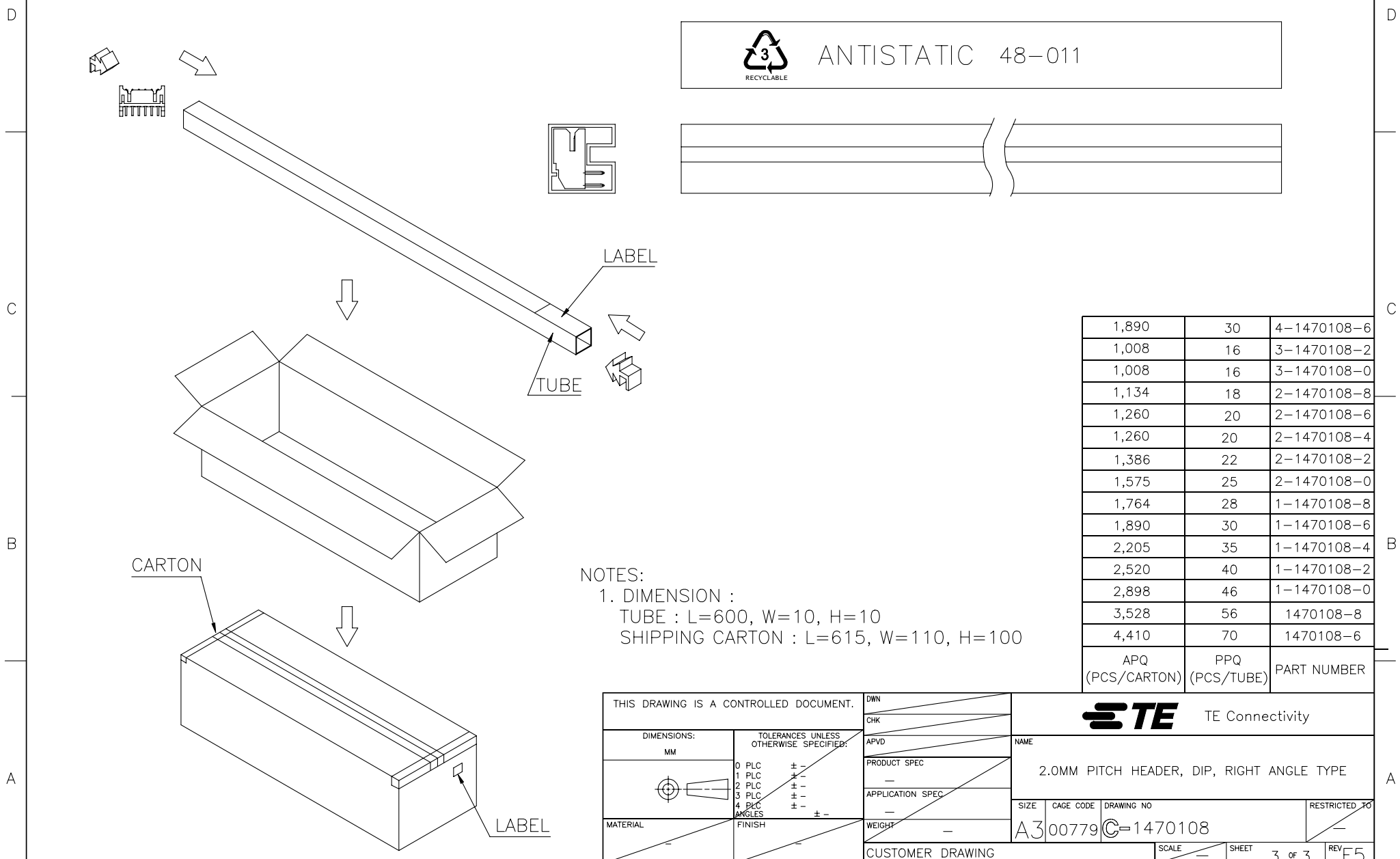
THIS DRAWING IS UNPUBLISHED. RELEASED FOR PUBLICATION AUG. 2006.  
 © COPYRIGHT 2009 BY TYCO ELECTRONICS CORPORATION. ALL RIGHTS RESERVED.

| LOC |     | DIST         |  | REVISIONS |     |      |  |
|-----|-----|--------------|--|-----------|-----|------|--|
| P   | LTR | DESCRIPTION  |  | DATE      | DWN | APVD |  |
|     |     | SEE SHEET 1. |  |           |     |      |  |



|      |             |
|------|-------------|
| 16   | 4-1470108-6 |
| POS. | PART NUMBER |

|  |              |                  |   |           |            |
|--|--------------|------------------|---|-----------|------------|
| THIS DRAWING IS A CONTROLLED DOCUMENT. |              | DWN              | <b>TE</b> TE Connectivity                 |           |            |
| DIMENSIONS: MM                         |              | CHK              |   |           |            |
| TOLERANCES UNLESS OTHERWISE SPECIFIED: |              | APVD             | NAME                                      |           |            |
| 0 PLC ± -                              |              | PRODUCT SPEC     | 2.0MM PITCH HEADER, DIP, RIGHT ANGLE TYPE |           |            |
| 1 PLC ± 0.3                            |              | APPLICATION SPEC | SIZE                                      | CAGE CODE | DRAWING NO |
| 2 PLC ± 0.2                            |              |                  | A3  | 00779     | C=1470108  |
| 3 PLC ± 0.1                            |              | WEIGHT           | RESTRICTED TO                             |           |            |
| 4 PLC ± -                              |              |                  | -   |           |            |
| ANGLES ± 3'                            |              |                  | SCALE                                     | SHEET     | REV        |
| MATERIAL                               | FINISH       | CUSTOMER DRAWING |   | 2 of 3    | F5         |
| SEE SHEET 1.                           | SEE SHEET 1. |                  |   |           |            |



|                     |                   |             |
|---------------------|-------------------|-------------|
| 1,890               | 30                | 4-1470108-6 |
| 1,008               | 16                | 3-1470108-2 |
| 1,008               | 16                | 3-1470108-0 |
| 1,134               | 18                | 2-1470108-8 |
| 1,260               | 20                | 2-1470108-6 |
| 1,260               | 20                | 2-1470108-4 |
| 1,386               | 22                | 2-1470108-2 |
| 1,575               | 25                | 2-1470108-0 |
| 1,764               | 28                | 1-1470108-8 |
| 1,890               | 30                | 1-1470108-6 |
| 2,205               | 35                | 1-1470108-4 |
| 2,520               | 40                | 1-1470108-2 |
| 2,898               | 46                | 1-1470108-0 |
| 3,528               | 56                | 1470108-8   |
| 4,410               | 70                | 1470108-6   |
| APQ<br>(PCS/CARTON) | PPQ<br>(PCS/TUBE) | PART NUMBER |

NOTES:  
 1. DIMENSION :  
 TUBE : L=600, W=10, H=10  
 SHIPPING CARTON : L=615, W=110, H=100

|  |  |                  |   |           |
|--|--|------------------|---|-----------|
| THIS DRAWING IS A CONTROLLED DOCUMENT. |  | DWN              | <b>STE</b> TE Connectivity                |           |
| DIMENSIONS: MM                         |  | CHK              |   |           |
| TOLERANCES UNLESS OTHERWISE SPECIFIED: |  | APVD             | NAME                                      |           |
| 0 PLC ± -                              |  | PRODUCT SPEC     | 2.0MM PITCH HEADER, DIP, RIGHT ANGLE TYPE |           |
| 1 PLC ± -                              |  | APPLICATION SPEC | SIZE                                      | CAGE CODE |
| 2 PLC ± -                              |  | WEIGHT           | A3  | 00779     |
| 3 PLC ± -                              |  | CUSTOMER DRAWING | DRAWING NO                                |           |
| 4 PLC ± -                              |  | SCALE            | C=1470108                                 |           |
| ANGLES ± -                             |  | SHEET            | RESTRICTED TO                             |           |
| MATERIAL                               |  | FINISH           | 3 of 3                                    | REV F5    |

单击下面可查看定价，库存，交付和生命周期等信息

[>>TE Connectivity\(泰科\)](#)