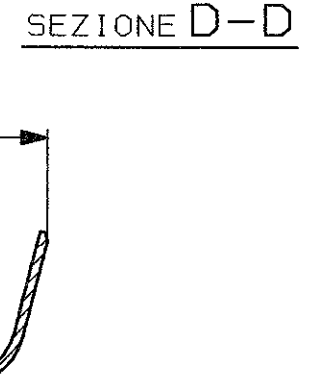
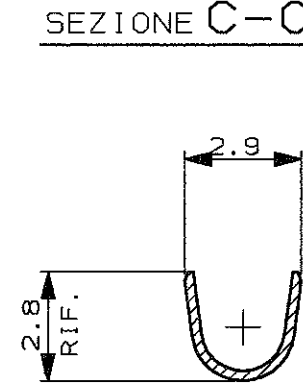
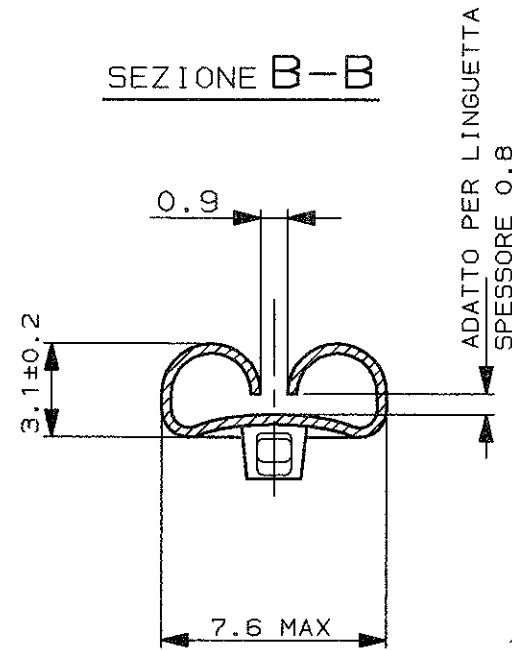
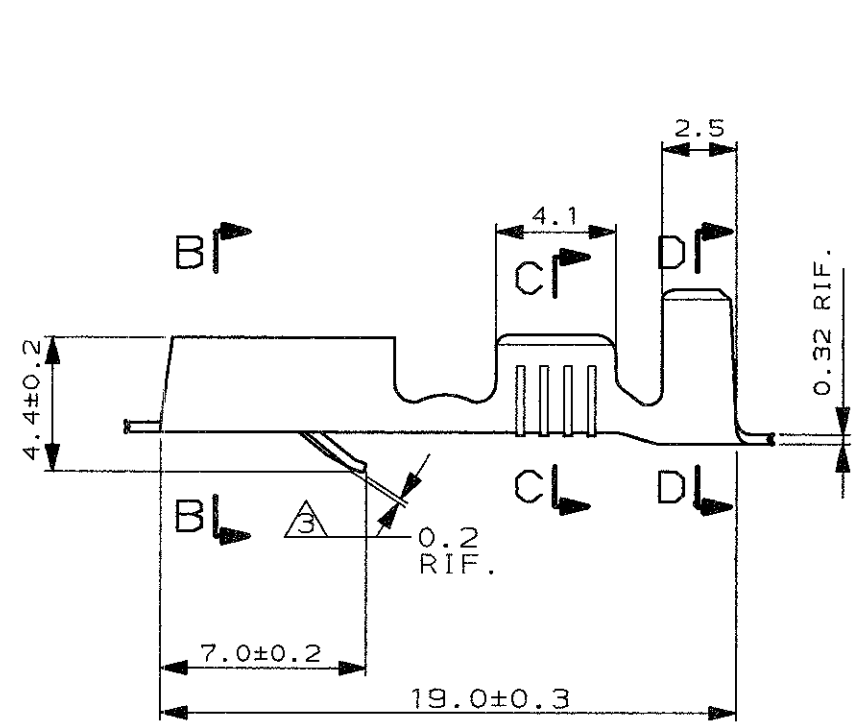


SCALA NON IMPEGNATIVA
(DO NOT SCALE)
DIMENSIONI IN mm
(DIMENSIONS IN mm)

METRIC

PROIEZIONE EUROPEA
(EUROPEAN PROJECTION)

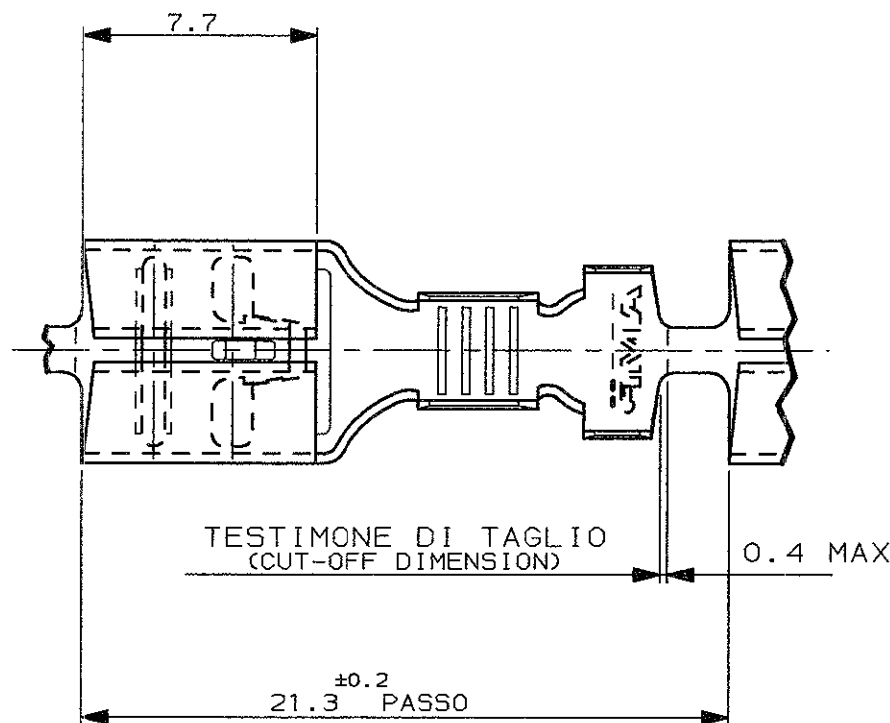


1) SPECIFICA DI PRODOTTO : 108-20020 ; SPECIFICA DI APPLICAZIONE : 114-20021
(PRODUCT SPEC. : 108-20020 ; APPLICATION SPEC. : 114-20021)

2) BOBINATO SU BOBINA DA 12" IN CARTONE CON CARTA INTERPOSTA
(CREELED ON 12" CARTON TYPE REEL WITH INTERLAYER PAPER STRIP)

3 NERVATURA DI RINFORZO
(BEAT IN LOCKING LANCE)

SENDO DI USCITA DEL TERMINALE DALLA BOBINA
(DIRECTION OFF TOP OF REEL)



4

(WIRE) SEZ. FILO mm ²	(INS. DIA. REDUCED) Ø IS. RID. FASE 3
0.5	1.5-1.7
0.75	1.7-1.9
0.3	1.45-1.55 STD. INS. CABLE

PRE-STAGNATO	OTTONE	282178-1
FINITURA / COLORE (FINISH / COLOUR)	MATERIALE (MATERIAL)	NUMERO (PART NUMBER)

CUSTOMER DWG. FOR REFERENCE ONLY DISEGNO PER CLIENTE SOLO PER RIFERIMENTO

THIS DRAWING IS UNPUBLISHED RELEASE FOR PUBLICATION 19

© COPYRIGHT 19 BY AMP INCORPORATED, HARRISBURG, PA. ALL INTERNATIONAL RIGHT RESERVED. AMP PRODUCTS MAY BE COVERED BY U.S. AND FOREIGN PATENT AND/OR PATENT PENDING

TOLLERANZE, SE NON DIVERSAMENTE SPECIFICATO (TOLERANCES, UNLESS OTHERWISE SPECIFIED)	DIAM. ISOLANTE (INS. DIA. RANGE) 1.45-1.9 mm	RANGO FILO (WIRE RANGE) 0.3-0.8 mm ²	SCALA (SCALE) 4:1
--	--	---	-------------------

ANGOLI (ANGLES) ± 2°
DIS. 27 SEPT. 90

DESCRIZIONE (DESCRIPTION) FASTIN-FASTON Connector .250"sr. REC. CONTACT (FOR REDUCED INS. CABLE)

LOC. SIZE NUMERO (DWG NO) I A3	REV. D	FOGLIO (SHEET) 1
--------------------------------	--------	------------------

REV.	REVISIONI (REVISION RECORD)	DIS. DATA (DR) (DATE)
D	CHANGED RAW MAT'L AND PACKAGING ET00-0050-00	31-05-2000
C	REVISED, ET00-0319-97	05-05-1997
A	IN PRODUZIONE (ECN 1-2838)	10/5/91

DISTRIBUZIONE (PRINT DIST.)

单击下面可查看定价，库存，交付和生命周期等信息

[>>TE Connectivity\(泰科\)](#)