

THIS DRAWING IS UNPUBLISHED. RELEASED FOR PUBLICATION
 © COPYRIGHT - BY TYCO ELECTRONICS CORPORATION. ALL RIGHTS RESERVED.

LOC	DIST	REVISIONS			
P	LTR	DESCRIPTION	DATE	DWN	APVD
		REVISED PER ECO-06-018765	13APR07	DH	DB

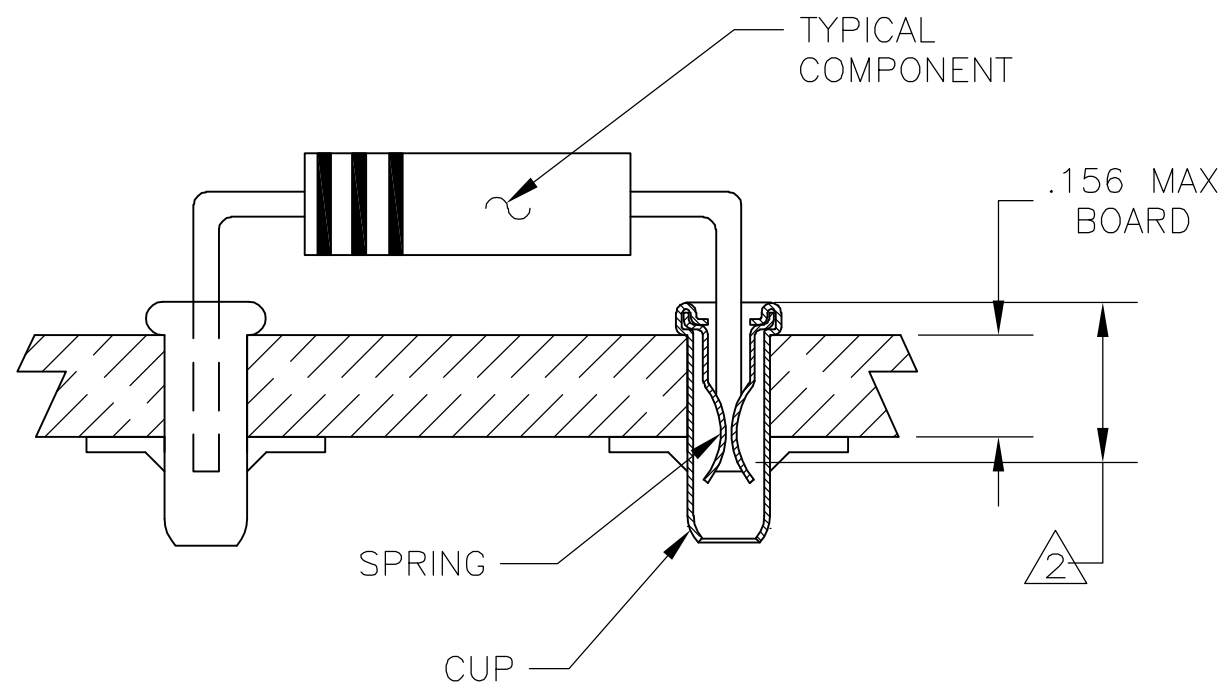
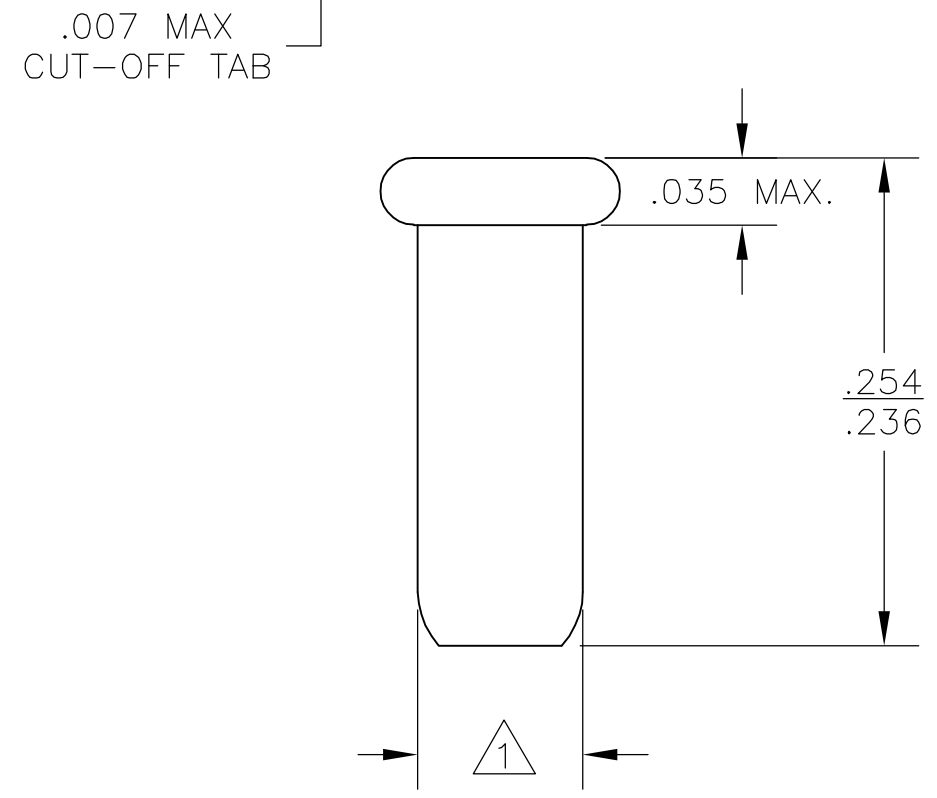
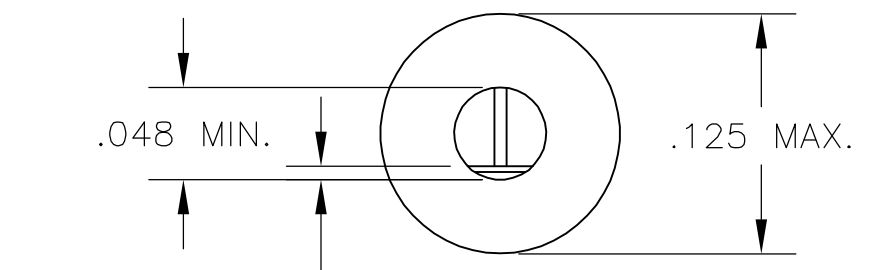
1 PART FITS IN TO A #43 DRILLED HOLE (.089±.0015) FOR HAND INSERTION, AND A #44 DRILLED HOLE (.086±.0015) FOR MACHINE INSERTION.

2 .145 MIN INSERTION DEPTH REQUIRED FOR A RELIABLE CONNECTION.

3. SPRING IS SECURED IN CUP WITH NO SPRING ROTATION PERMISSABLE.

4. LEAD RANGES & PERFORMANCE RESULTS:

LEAD RANGES (DIA)	.018-.020	.025-.032	.035-.040
MAX INSERTION FORCE	17 OZ	37 OZ	48 OZ
MIN EXTRACTION FORCE	1.0 OZ	1.5 OZ	2.0 OZ
MILLVOLT DROP (MAX)	2.00 mV	1.75 mV	1.50 mV



	OBSOLETE	TIN-LEAD	PRE-TIN	380635-5
SUPSD BY	380635-2	TIN-LEAD	.000050 MIN Au OVER .000050 MIN NICKEL	380635-4
	OBSOLETE	.000050 MIN Au OVER .000050 MIN NICKEL	.000050 MIN NICKEL	380635-3
	OBSOLETE	TIN-LEAD	.000030 MIN Au OVER .000030 MIN NICKEL	380635-2
		.000030 MIN Au OVER .000030 MIN NICKEL	.000030 MIN NICKEL	380635-1
		CUP	SPRING	PART NO.
		FINISH		

THIS DRAWING IS A CONTROLLED DOCUMENT.		DWN D.HUMBERT 07FEB2007	Tyco Electronics Corporation Harrisburg, PA 17105-3608	
DIMENSIONS: INCHES	TOLERANCES UNLESS OTHERWISE SPECIFIED:	CHK J.HAVENER	REUSABLE COMPONENT RECEPTACLE	
	0 PLC ± -	APVD J.HAVENER	NAME	
	1 PLC ± -	PRODUCT SPEC	SIZE CAGE CODE DRAWING NO RESTRICTED TO	
	2 PLC ± -	APPLICATION SPEC	A3 00779 C-380635	
	3 PLC ± -		SCALE NTS SHEET 1 OF 1 REV W2	
	4 PLC ± -			
	ANGLES ± -			
MATERIAL	FINISH	WEIGHT		
CUP - COPPER	SEE TABLE	-		
SPRING - Be-Cu				

单击下面可查看定价，库存，交付和生命周期等信息

[>>TE Connectivity\(泰科\)](#)