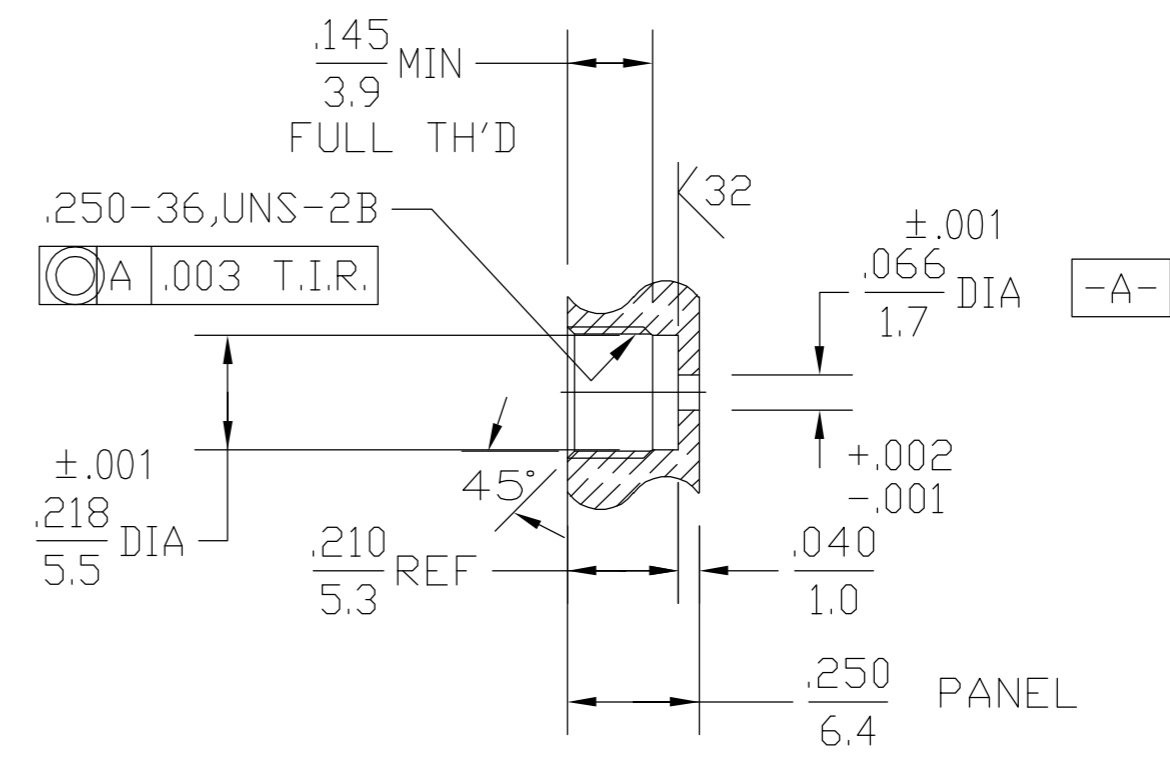
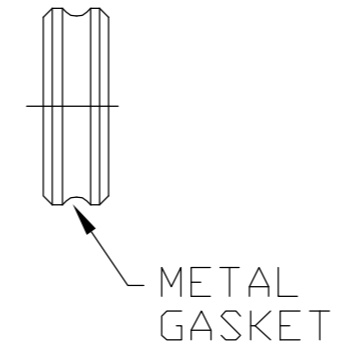
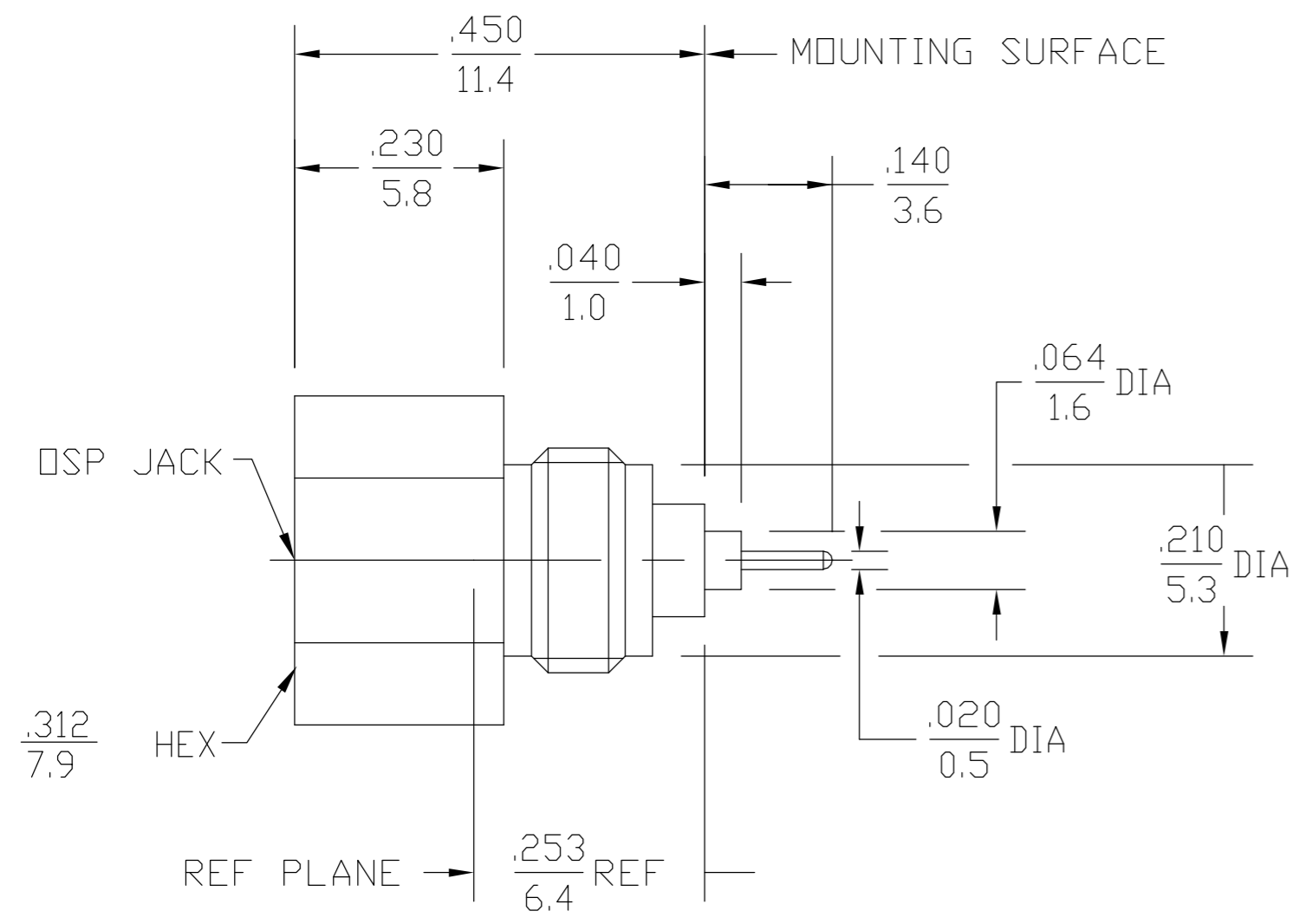


THIS DRAWING IS UNPUBLISHED. RELEASED FOR PUBLICATION  
 © COPYRIGHT BY TYCO ELECTRONICS CORPORATION. ALL RIGHTS RESERVED.

LOC		DIST		REVISIONS			
P	LTR	DESCRIPTION	DATE	DWN	APVD		
	0	RELEASED	13JAN2006	KS	JGH		

1. SEE INSTRUCTION SHEET 408-8288



RECOMMENDED MOUNTING HOLE

ELECTRICAL	MECHANICAL	ENVIRONMENTAL	HOUSING BUSHING	MATERIAL	FINISH
Nominal Impedance (Ohms) <u>50</u>	Interface Dimensions per MIL-STD-348A <u>Fig 321.2</u>	TEMPERATURE RATING <u>-65° TO +125°C</u>	STAINLESS STEEL PER ASTM-A484 AND ASTM-A582, TYPE 303	PASSIVATE PER ASTM A 380	
Frequency Range (GHz) DC to <u>18</u>	Mating Characteristics:	Vibration MIL-STD-202, Method 204, Condition D, 20G's	DIELECTRIC TFE FLUOROCARBON PER ASTM-D-1710	N/A	
Volt Rating (VRMS MAX) @ Sea Level <u>335</u>	Insertion (MAX Lbs) <u>3</u>	Shock MIL-STD-202, Method 213, Condition I, 100G's	CENTER CONTACT BERYLLIUM COPPER PER ASTM B 196	GOLD PLATE PER ASTM B 488	
VSWR <u>1.04+0.09f(GHz)</u>	Withdrawal (MIN Oz) <u>1</u>	Thermal Shock MIL-STD-202, Method 102, Condition C	CONTACT RING SHIM BERYLLIUM COPPER PER ASTM B 194	GOLD PLATE PER ASTM B 488	
Insertion Loss (dB MAX) <u>.05x√f(GHz)</u>	Force to Engage (Lbs MAX) <u>3.0</u>	Moisture Resistance MIL-STD-202, Method 106	CONTACT SLEEVE BERYLLIUM COPPER PER ASTM B 194	GOLD PLATE PER ASTM B 488	
RF Leakage (dB MIN) (Interface Only, Fully Mated) <u>-(90-f(GHz))</u>	& Disengage (Lbs MAX) <u>1.5</u>	Corrosion - MIL-STD-202, Method 101, Condition B	BUSHING CONTACT EXT IRON-NICKEL-COBALT ALLOY PER MIL-I-23011, CLASS 1 (KOVAR)D	GOLD PLATE PER ASTM B 488	
Corona, 70,000 Ft (VRMS MIN) <u>335</u>	Center Contact Captivation Axial (Lbs MIN) <u>6.0</u>	Hermetic Seal Leak Rate (@ 1 Atm) <u>1 x 10<sup>-8</sup> cc/sec</u>	METAL GASKET KOVAR	SILVER PLATE PER ASTM B 700	
Dielectric Withstanding Voltage (VRMS MIN) @ Sea Level <u>1,000</u>	Weight (Grams) <u>TBD</u>		GLASS SEAL GLASS BEAD	N/A	
Contact Resistance (Milliohms MAX) Center Contact <u>10.0</u>			COMPONENT		
Outer Contact <u>2.0</u>					
RF High Potential @ Sea Level (VRMS MIN @ 5 MHz) <u>1,000</u>					
I.R.(Megohms MIN) <u>5,000</u>					
		<u>.XXX = in</u> <u>XX.X = mm (REF)</u>			

6059674-1  
PART NUMBER

THIS DRAWING IS A CONTROLLED DOCUMENT.

DIMENSIONS: INCHES[mm]	TOLERANCES UNLESS OTHERWISE SPECIFIED: 0 PLC ± - 1 PLC ± - 2 PLC ± .005[0.13] 3 PLC ± - 4 PLC ± - ANGLES ± 1°	DWN DK SCHRUM 13JAN2006 CHK JG HAVENER 13JAN2006 APVD JG HAVENER 13JAN2006	tyco Electronics Tyco Electronics Corporation Harrisburg, PA 17105-3608
MATERIAL SEE TABLE	FINISH SEE TABLE	PRODUCT SPEC - APPLICATION SPEC - WEIGHT -	NAME OSP PANEL FEEDTHRU, JACK RECEPTACLE, HERMETICALLY SEALED (4558-5335-02) SIZE A2 CAGE CODE 00779 DRAWING NO C=6059674 RESTRICTED TO -
CUSTOMER DRAWING		SCALE NTS	SHEET 1 of 1 REV 0

单击下面可查看定价，库存，交付和生命周期等信息

[>>TE Connectivity\(泰科\)](#)