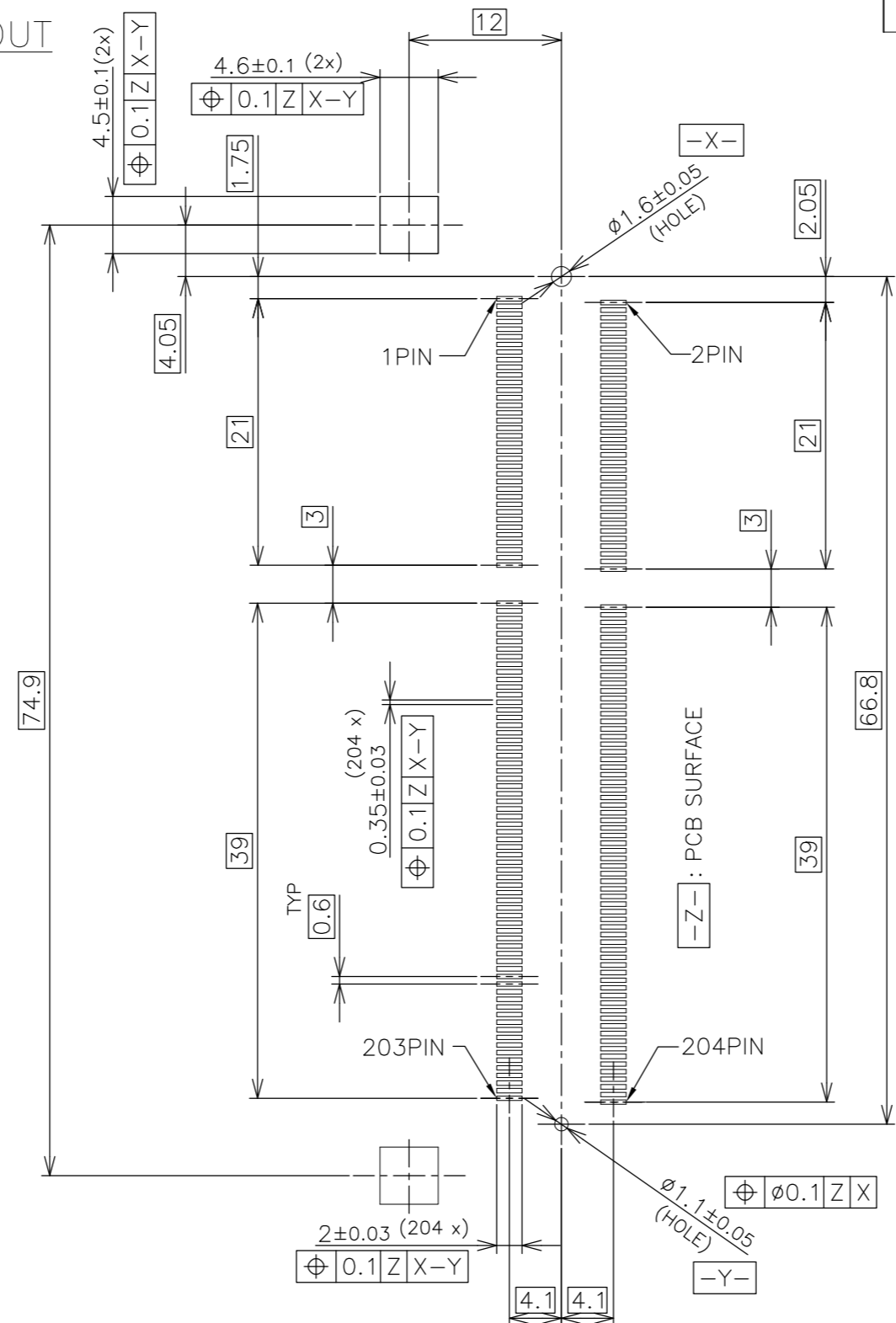

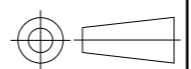


| P | LTR | DESCRIPTION | DATE | DWN | APVD |
|---|-----|-------------|------|-----|------|
| - | - | SEE SHEET 1 | - | - | - |

REFERENCE P.C.BOARD PATTERN LAYOUT (CONNECTOR MOUNTING SIDE)

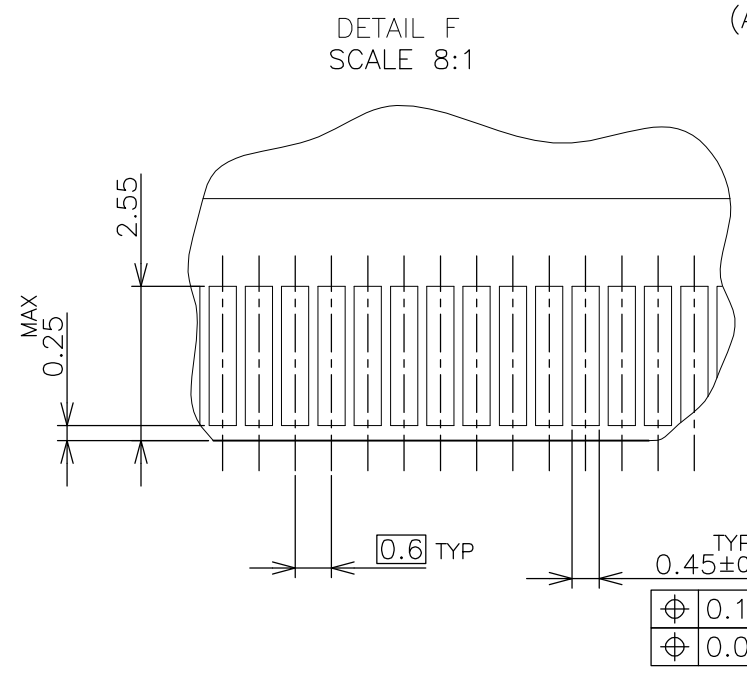
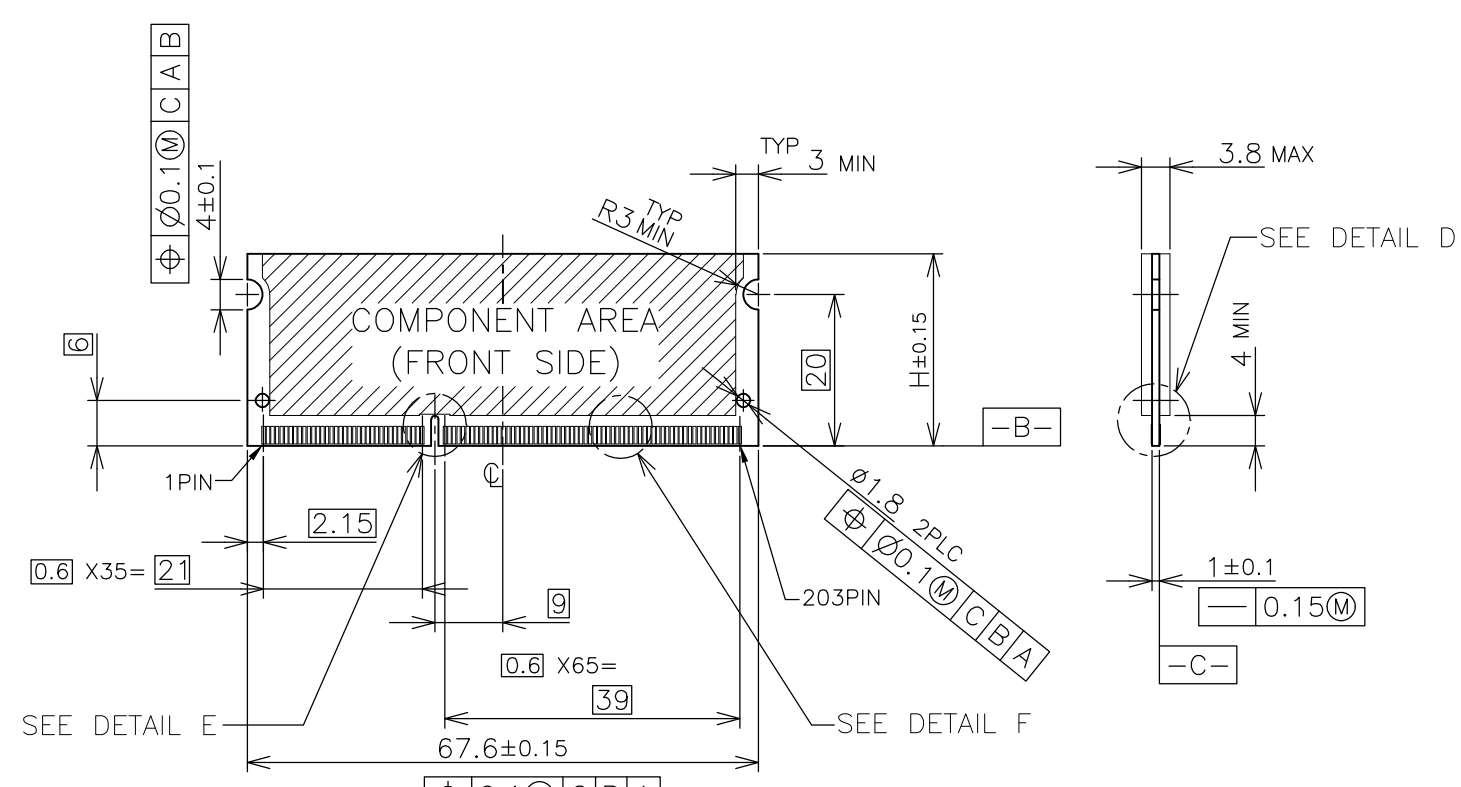


RVS TYPE

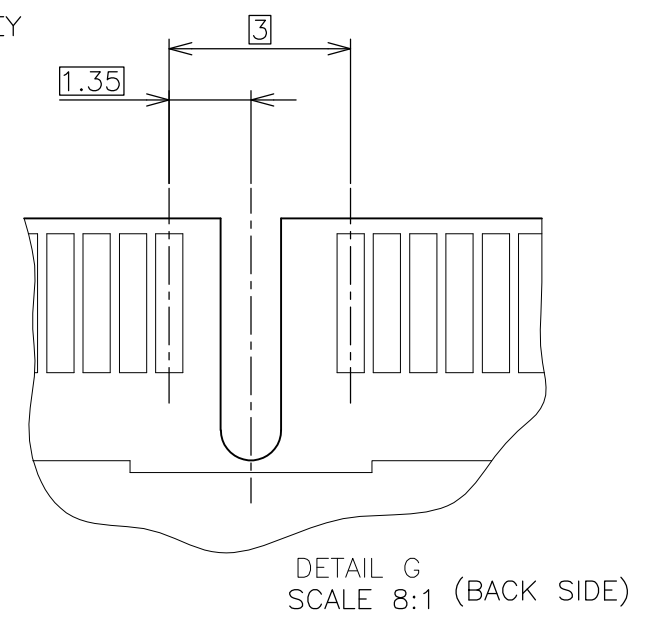
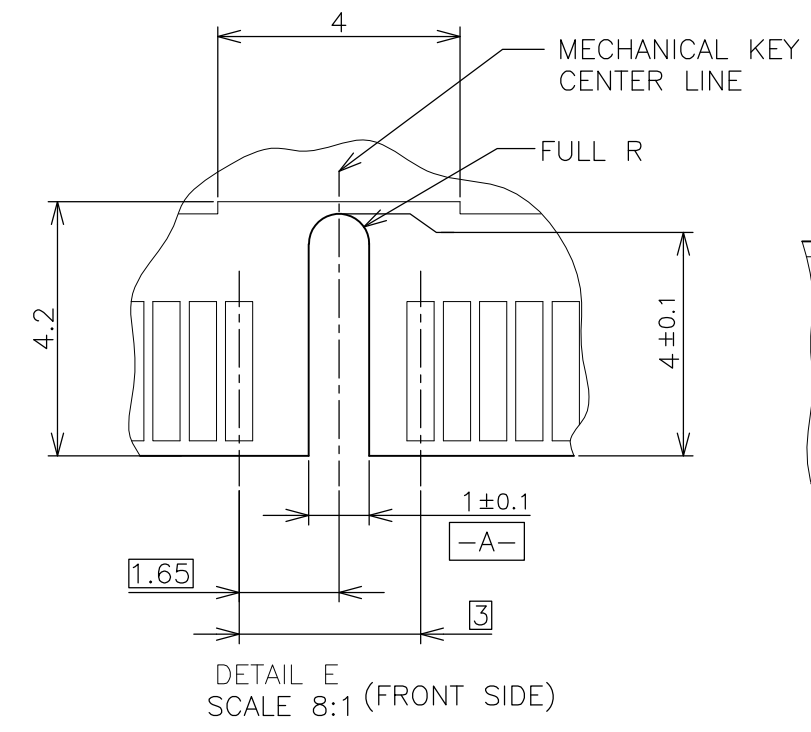
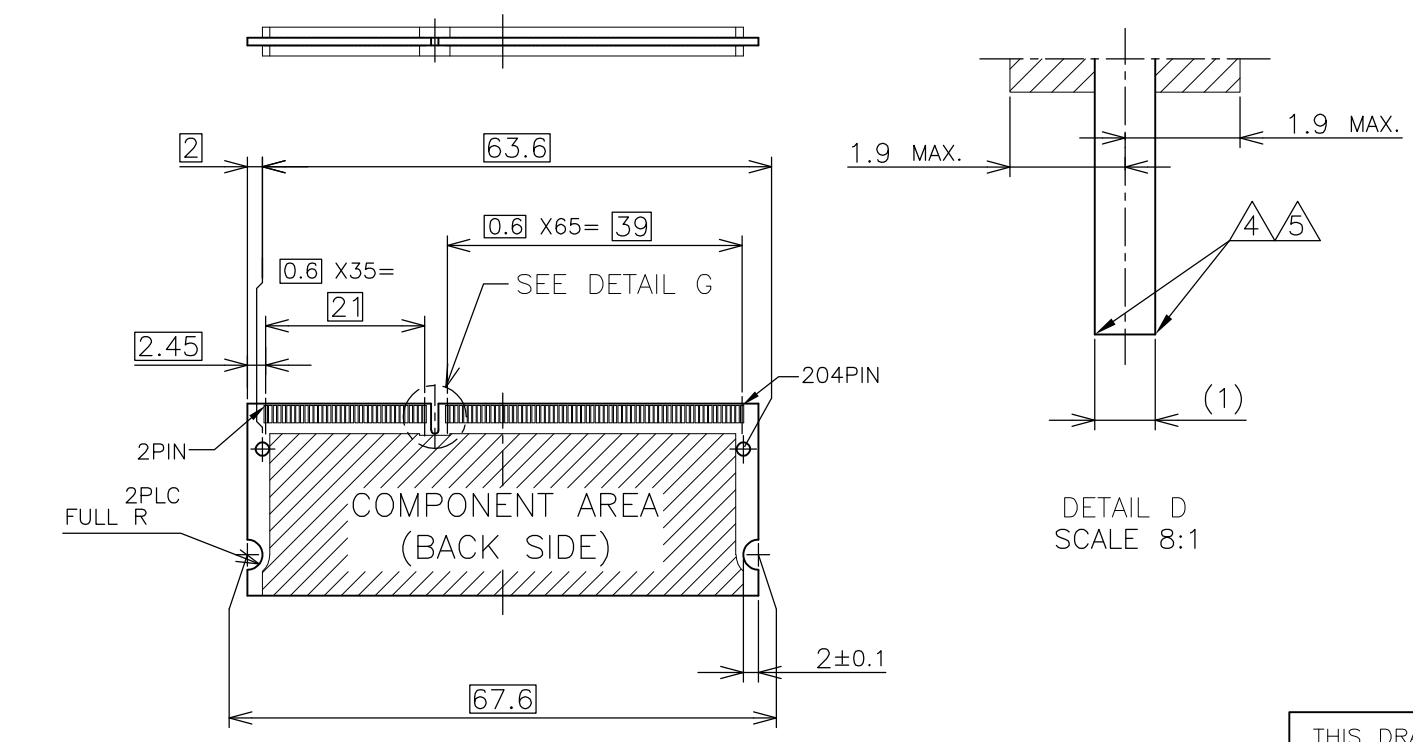
| | | | | | | | |
|---|--|------------------|--|--|--|---|--|
| THIS DRAWING IS A CONTROLLED DOCUMENT. | | DWN | |  TE Connectivity | | | |
| DIMENSIONS: MM | | CHK | | | | NAME | |
|  | | APVD | | | | DDR3 SODIMM SOCKET 0.6mm PITCH 204POS 8.0mm HEIGHT REVERSE TYPE | |
| MATERIAL | | PRODUCT SPEC | | | | SIZE | |
| TOLERANCES UNLESS OTHERWISE SPECIFIED: | | APVD | | CAGE CODE | | | |
| 0 PLC ± | | PRODUCT SPEC | | DRAWING NO | | | |
| 1 PLC ± | | APPLICATION SPEC | | RESTRICTED TO | | | |
| 2 PLC ± | | WEIGHT | | A3 00779 | | | |
| 3 PLC ± | | CUSTOMER DRAWING | | C-1932323 | | | |
| 4 PLC ± | | SCALE | | 2:1 | | | |
| ANGLES ± | | SHEET | | 2 of 4 | | | |
| FINISH | | REV | | B | | | |

| LOC | | DIST | | REVISIONS | | | |
|-----|-----|-------------|-------------|-----------|------|---|--|
| P | LTR | DESCRIPTION | DATE | DWN | APVD | | |
| ES | / | - | SEE SHEET 1 | - | - | - | |

REFERENCE MATING P.C.B CONFIGURATION



- (APPLIED TO SHEET 3)
1. TOLERANCES ON ALL DIMENSIONS ±0.15 UNLESS OTHERWISE SPECIFIED.
 2. P.C. BOARD THICKNESS APPLIES ACROSS TABS AND INCLUDES PLATING AND/OR METALIZATION.
 3. FINISH OF PAD : GOLD PLATING 0.00076 MIN. OVER Ni PLATING 0.002MIN.
- NO BURR
 CHAMFER 0.25 MAX x 45° IF EXIST.

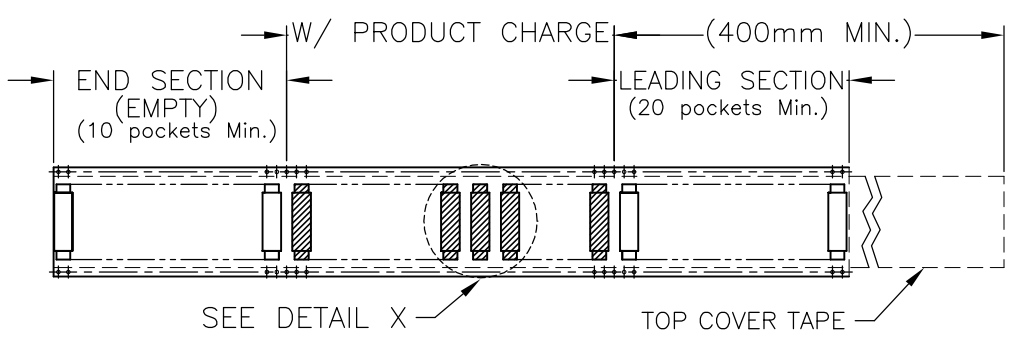
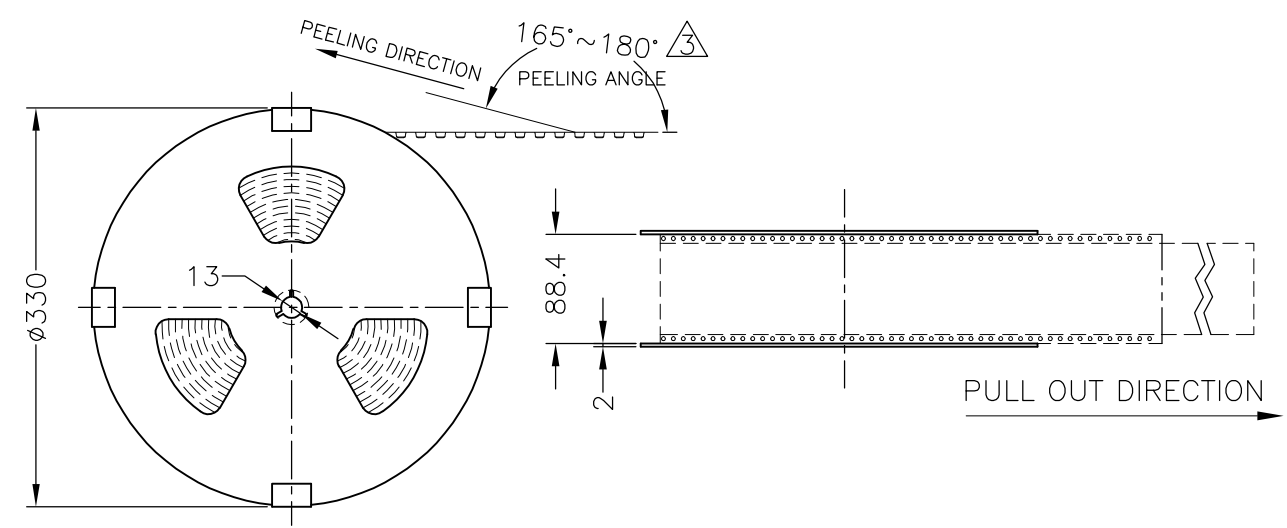


| | |
|-------|------------------|
| 30 | CA |
| 31.75 | BA |
| 25.4 | AA |
| H | SDRAM VARIATIONS |

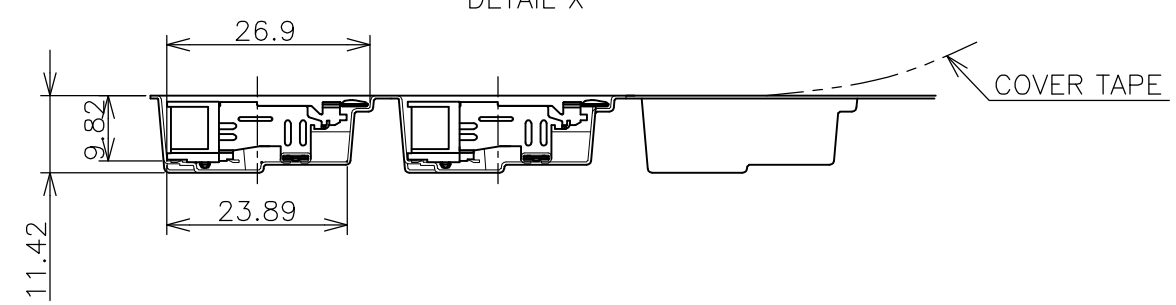
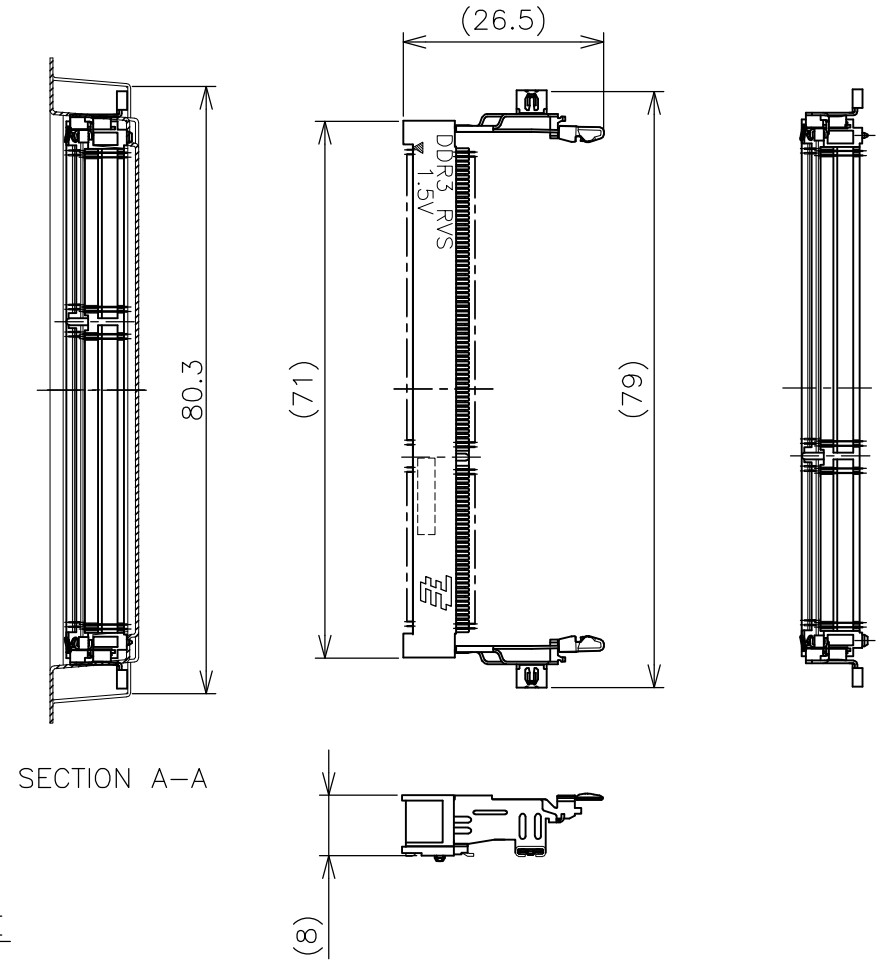
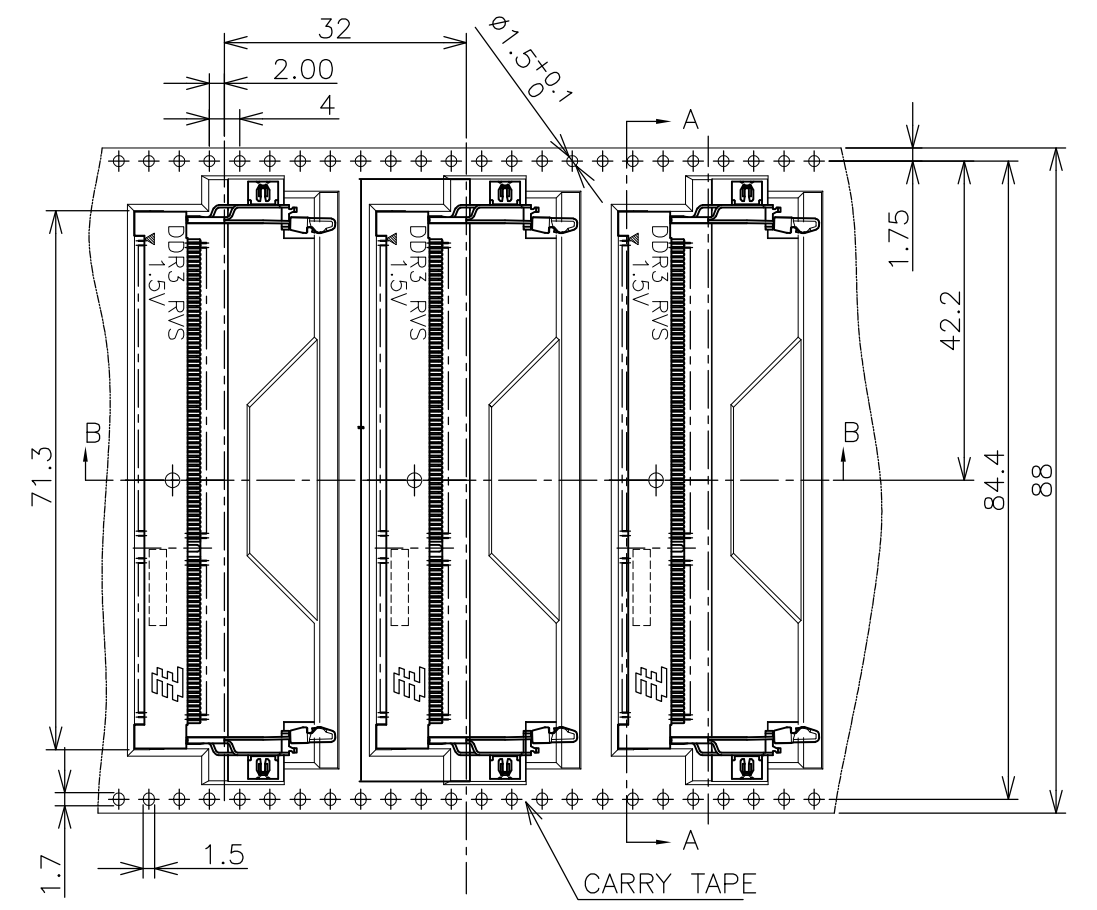
| | | | | | |
|---|--|------------------|--|--|--|
| THIS DRAWING IS A CONTROLLED DOCUMENT. | | DWN | TE Connectivity DDR3 SODIMM SOCKET 0.6mm PITCH 204POS 8.0mm HEIGHT REVERSE TYPE | | |
| DIMENSIONS: MM | | CHK | | | |
| TOLERANCES UNLESS OTHERWISE SPECIFIED: | | APVD | | | |
| 0 PLC ± 1 PLC ± 2 PLC ± 3 PLC ± 4 PLC ± ANGLES ± FINISH ± | | NAME | | | |
| MATERIAL | | PRODUCT SPEC | SIZE CAGE CODE DRAWING NO RESTRICTED TO | | |
| | | APPLICATION SPEC | A3 00779 C-1932323 | | |
| | | WEIGHT | CUSTOMER DRAWING SCALE 2:1 SHEET 3 OF 4 REV B | | |

THIS DRAWING IS UNPUBLISHED. RELEASED FOR PUBLICATION SEP ,2007.
 © COPYRIGHT 2007 By - ALL RIGHTS RESERVED.

| LOC | | DIST | | REVISIONS | | | | | |
|-----|--|------|--|-----------|-----|-------------|------|-----|------|
| ES | | / | | P | LTR | DESCRIPTION | DATE | DWN | APVD |
| | | | | - | - | SEE SHEET 1 | - | - | - |



- (APPLIED TO SHEET 4)
1. THE DIRECTION OF EACH CONNECTOR ON A EMBOSS IS REFERRED TO THIS DRAWING.
 2. GENERAL TOLERANCE: ± 0.5 , $\pm 3^\circ$
 3. THE MATERIAL OF REEL PALLET: PLASTIC/PAPER.



| | |
|----------|-------------|
| 150EA | 2-1932323-2 |
| 150EA | 2-1932323-1 |
| QTY/REEL | PART NO. |

| | | | | | | | | | | | |
|--|--|------------------|--|---|--|-----------|--|------------|--|---------------|--|
| THIS DRAWING IS A CONTROLLED DOCUMENT. | | DWN | | TE Connectivity | | | | | | | |
| DIMENSIONS: MM | | CHK | | | | | | NAME | | | |
| TOLERANCES UNLESS OTHERWISE SPECIFIED: | | APVD | | DDR3 SODIMM SOCKET 0.6mm PITCH 204POS 8.0mm HEIGHT REVERSE TYPE | | | | | | | |
| 0 PLC ± 0.5 | | PRODUCT SPEC | | SIZE | | CAGE CODE | | DRAWING NO | | RESTRICTED TO | |
| 1 PLC ± 0.5 | | APPLICATION SPEC | | A3 | | 00779 | | C-1932323 | | - | |
| 2 PLC ± 0.5 | | WEIGHT | | CUSTOMER DRAWING | | | | | | | |
| 3 PLC ± 0.5 | | SCALE | | 1:2 | | SHEET | | 4 OF 4 | | REV | |
| 4 PLC ± 0.5 | | MATERIAL | | | | | | | | B | |
| ANGLES $\pm 3^\circ$ | | | | | | | | | | | |
| FINISH | | | | | | | | | | | |

单击下面可查看定价，库存，交付和生命周期等信息

[>>TE Connectivity\(泰科\)](#)