

4

3

2

1

THIS DRAWING IS UNPUBLISHED.

RELEASED FOR PUBLICATION

,19

© COPYRIGHT 19

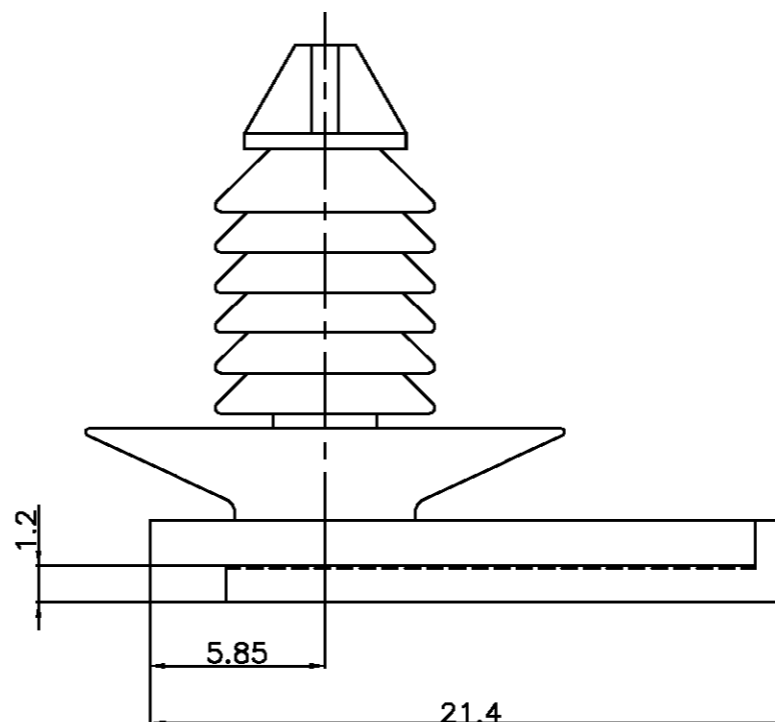
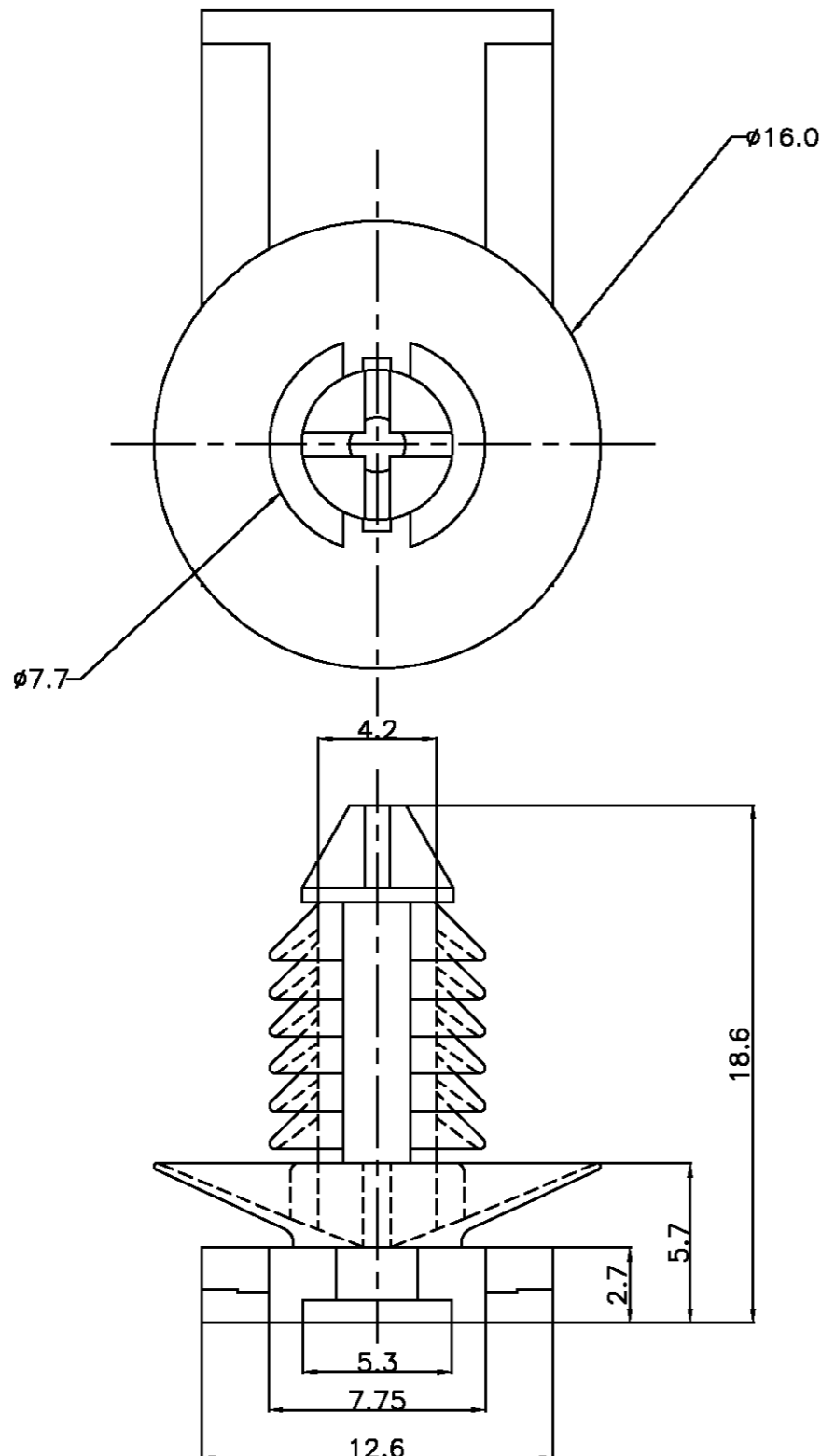
BY AMP INCORPORATED. ALL RIGHTS RESERVED.

LDC DS

DIST

REVISIONS

P	LTR	DESCRIPTION	DATE	DWN	APVD
0		RELEASED(FC00-0131-99)	27,NOV,'99	HS	CS



NOTES

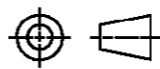
- 1. MATERIAL: PA66
- 2. COLOR

BLACK	368373-1
COLOR	PART NO.

THIS DRAWING IS A CONTROLLED DOCUMENT FOR AMP INCORPORATED. IT IS SUBJECT TO CHANGE AND THE CONTROLLING ENGINEERING ORGANIZATION SHOULD BE CONTACTED FOR THE LATEST REVISION.

DWN HS,BAE
 CHK BM,JANG
 APVDCS,LEE
 PRODUCT SPEC
 APPLICATION SPEC
 WEIGHT

AMP AMP KOREA.
 kyungsan, korea
 NAME
 CLIP HSG FOR 070 & EJ (7Ø PANEL)
 SIZE A3 CAGE CODE 00779 DRAWING NO C- 368373

DIMENSIONS: MM

 3rd ANGLE PROJECTION

TOLERANCES UNLESS OTHERWISE SPECIFIED:
 0 <XX<10 ± 0.2
 10<XX<30 ± 0.25
 30<XX ± 0.3
 ANGLES ± 3°

MATERIAL FINISH

SCALE 4/1 SHEET 1 OF 1 REV 0

单击下面可查看定价，库存，交付和生命周期等信息

[>>TE Connectivity\(泰科\)](#)