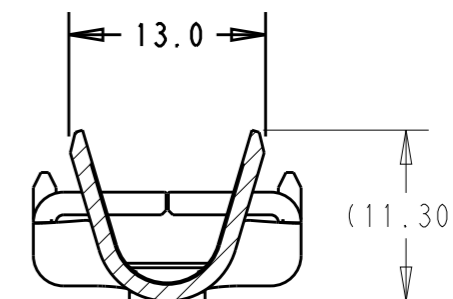
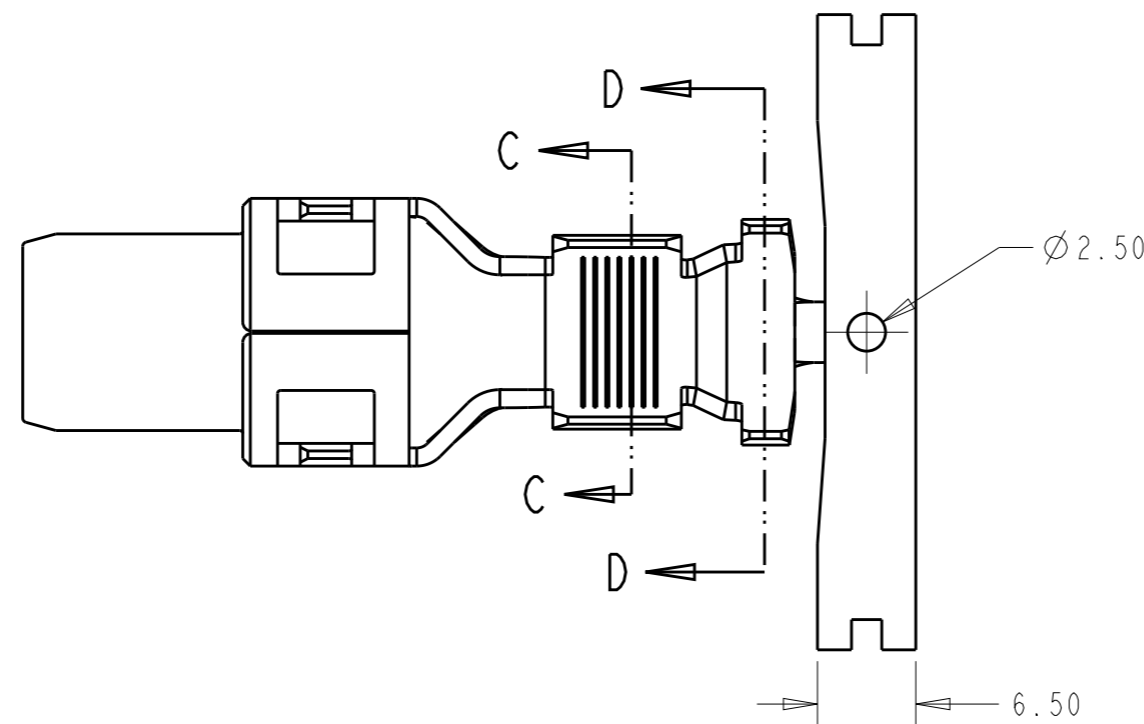
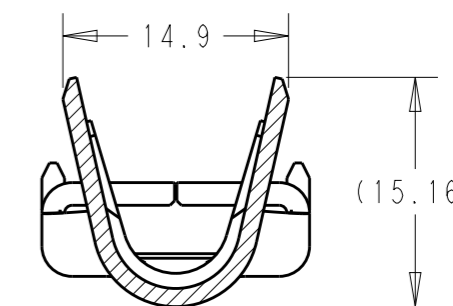


P	LTR	DESCRIPTION	DATE	DWN	APVD
	A	INITIAL	21JUN2020	A.W	R.B

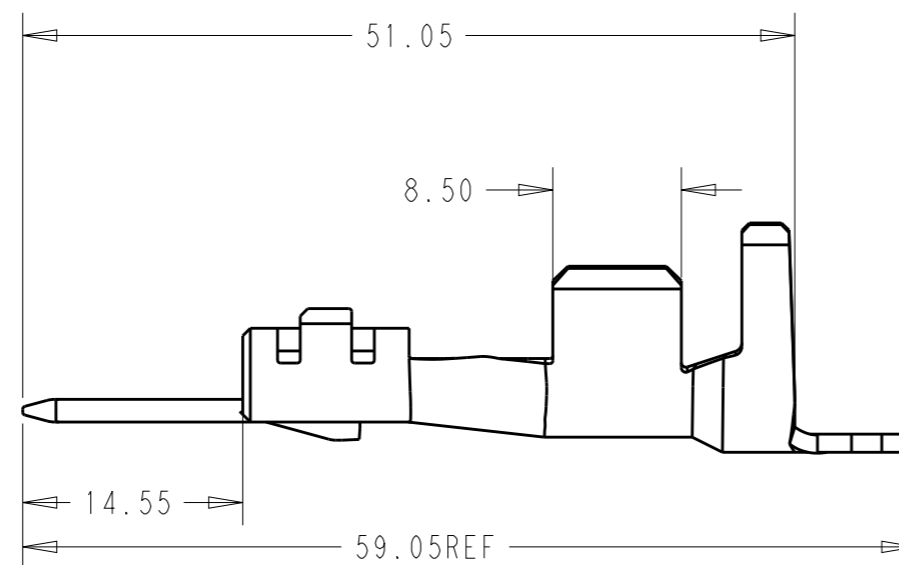
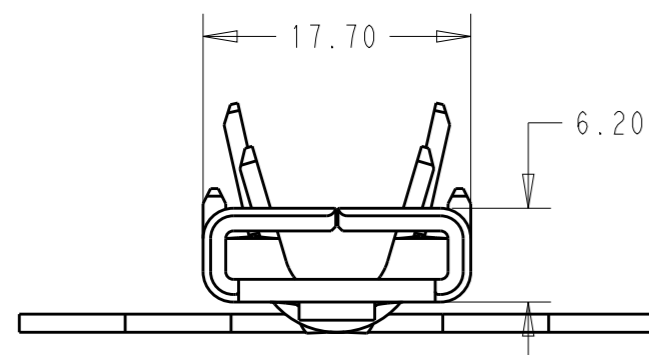
AS SHOWN: 2351982-5



SECTION C-C  
SCALE 2:1



SECTION D-D  
SCALE 2:1



NOTES

1. MATERIAL: COPPER ALLOY
2. FINISH: Ag PLATING OVER NICKEL PLATING
3. APPLICABLE WIRE RANGE: AHHEX 25SQ

THIS DRAWING IS A CONTROLLED DOCUMENT.		DWN ALVIN.W 26MAR2020	TE Connectivity		
DIMENSIONS: mm		CHK RICK.B 26MAR2020			
TOLERANCES UNLESS OTHERWISE SPECIFIED:		APVD RICK.B 26MAR2020	NAME TAB CONTACT DYNAMIC 8000		
0 PLC ±0.4 1 PLC ±0.3 2 PLC ±0.3 3 PLC ± 4 PLC ± ANGLES ±		PRODUCT SPEC 108-140254	SIZE CAGE CODE DRAWING NO RESTRICTED TO		
MATERIAL SEE NOTE		APPLICATION SPEC 114-78058	A3	00779	C=2351982
FINISH SEE NOTE		WEIGHT 16.2	SCALE 1:1 SHEET 1 OF 1 REV A		
		CUSTOMER DRAWING			

单击下面可查看定价，库存，交付和生命周期等信息

[>>TE Connectivity\(泰科\)](#)