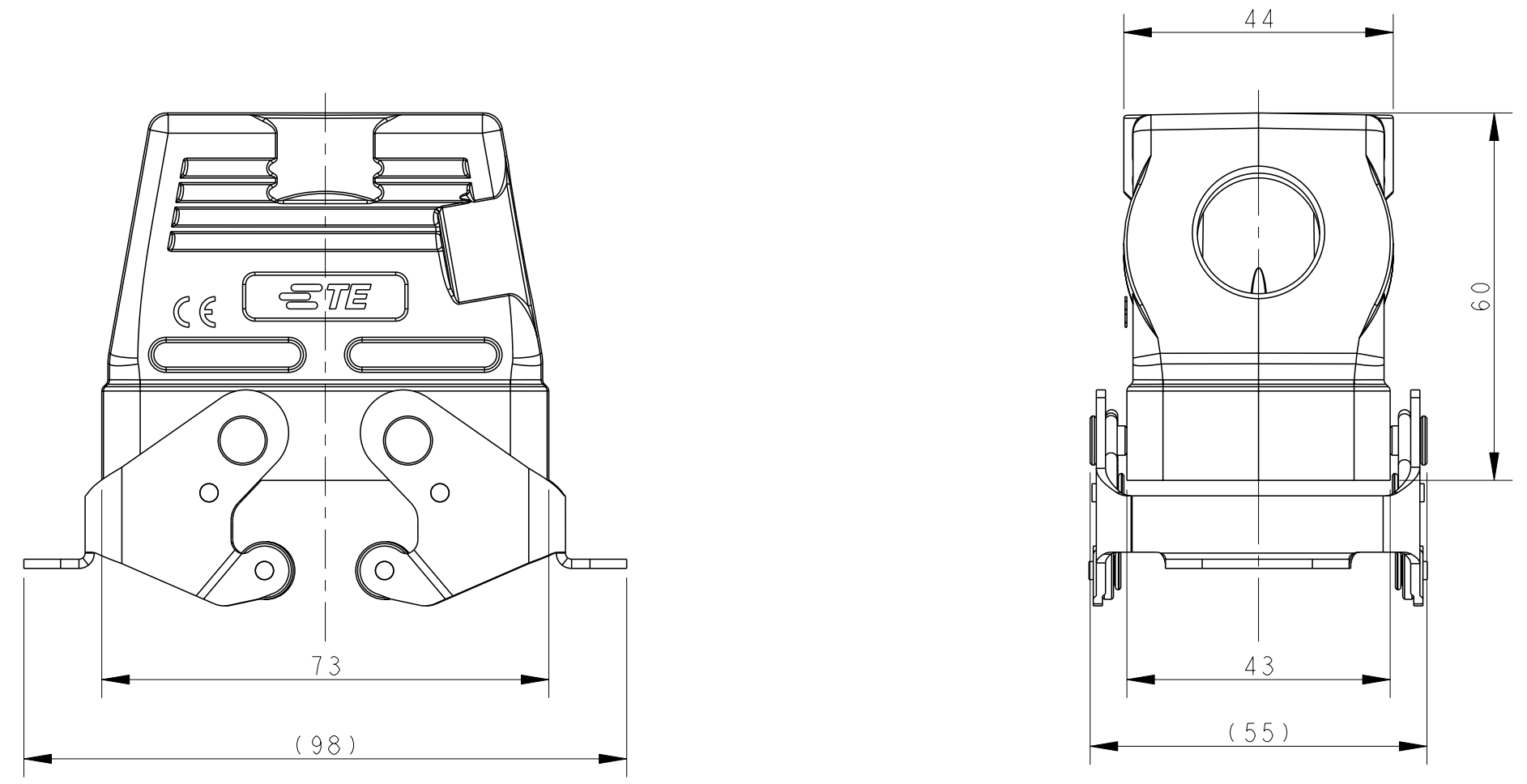


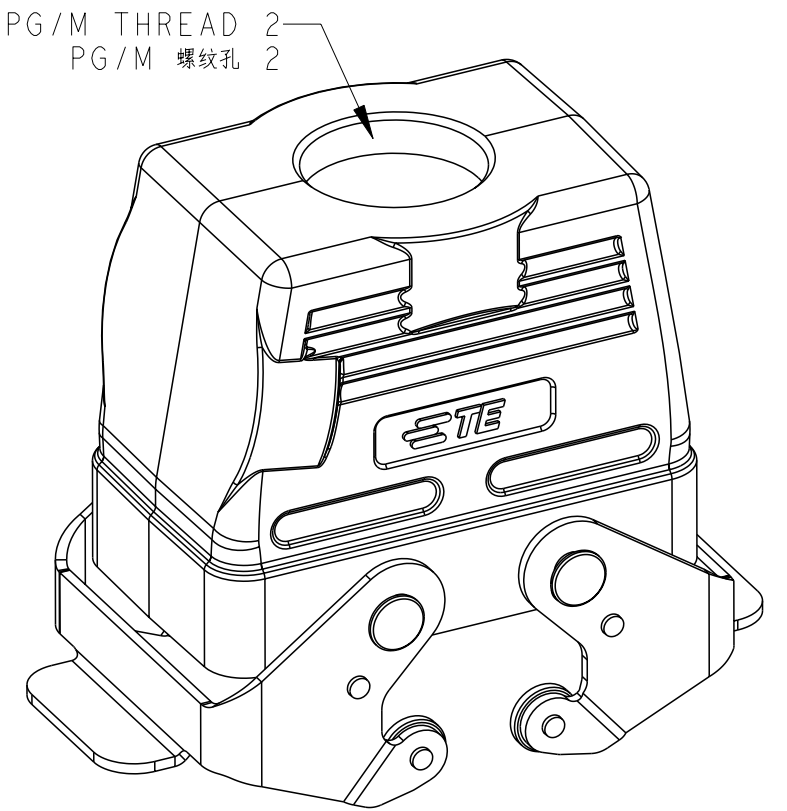
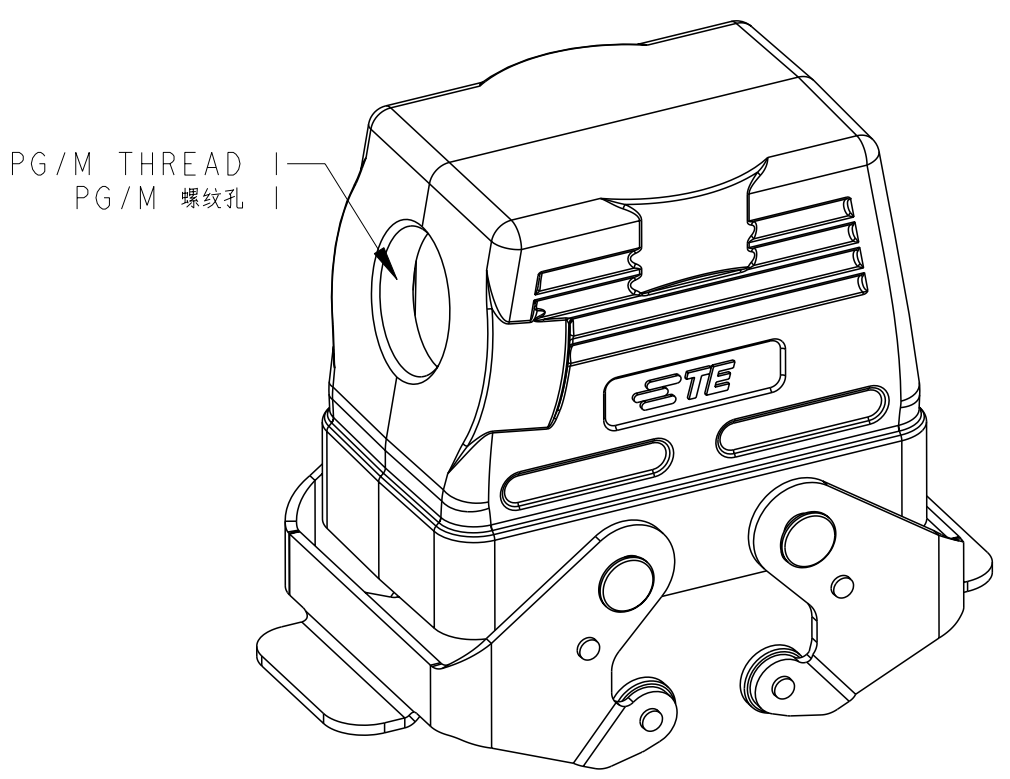
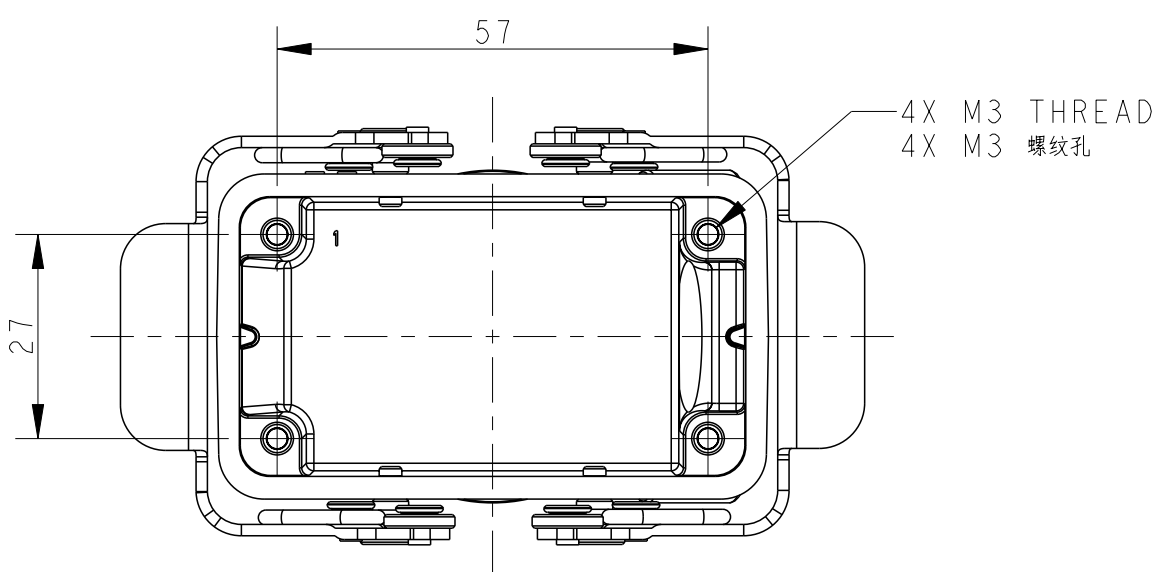
THIS DRAWING IS UNPUBLISHED. RELEASED FOR PUBLICATION 20
 © COPYRIGHT 20 BY - ALL RIGHTS RESERVED.

REVISIONS				
P	LTR	DESCRIPTION	DATE	APVD
A		INITIAL	29MAY2015	DW CW
A1		ECR-17-013895	22SEP2017	RL CW
B		ECR-20-008181	30JUN2020	WQR CW
B1		ECR-21-103925	01JUN2021	WQR CW



NOTES:
 1. TECHNICAL CHARACTERISTICS:
 HOOD MATERIAL: DIE CAST ALUMINIUM ALLOY
 SURFACE: POWDER COATED, GREY
 DEGREE OF PROTECTION: IP65 (MATED)

注释:
 1. 技术参数:
 上壳材料: 铝合金
 表面处理: 灰色粉末喷涂
 防护等级: IP65(配合)



TYPE 1: LOW CONSTRUCTION, SIDE ENTRY WITH STAINLESS STEEL LOCKING
 类型 1: 低结构, 侧出, 不锈钢双扣

TYPE 2: LOW CONSTRUCTION, TOP ENTRY WITH STAINLESS STEEL LOCKING
 OTHER SPEC REFER TO TYPE 1
 类型 2: 低结构, 顶出, 不锈钢双扣
 其他尺寸参照类型 1

PART NUMBER 料号	PART DESCRIPTION 描述	PG/M THREAD 1 PG/M 螺纹孔 1	PG/M THREAD 2 PG/M 螺纹孔 2	TYPE 类型
T1250103121-000	H10B-TSBS-PG21, STAINLESS STEEL DOUBLE LOCKING, POWDER COATED, GREY H10B上壳, 侧出PG21, 不锈钢双扣, 灰色粉末喷涂	PG21	-	TYPE 1 类型 1
T1250103116-000	H10B-TSBS-PG16, STAINLESS STEEL DOUBLE LOCKING, POWDER COATED, GREY H10B上壳, 侧出PG16, 不锈钢双扣, 灰色粉末喷涂	PG16	-	
T1250103120-000	H10B-TSBS-M20, STAINLESS STEEL DOUBLE LOCKING, POWDER COATED, GREY H10B上壳, 侧出M20, 不锈钢双扣, 灰色粉末喷涂	M20	-	
T1250103125-000	H10B-TSBS-M25, STAINLESS STEEL DOUBLE LOCKING, POWDER COATED, GREY H10B上壳, 侧出M25, 不锈钢双扣, 灰色粉末喷涂	M25	-	TYPE 2 类型 2
T1260103116-000	H10B-TGBS-PG16, STAINLESS STEEL DOUBLE LOCKING, POWDER COATED, GREY H10B上壳, 顶出PG16, 不锈钢双扣, 灰色粉末喷涂	-	PG16	
T1260103120-000	H10B-TGBS-M20, STAINLESS STEEL DOUBLE LOCKING, POWDER COATED, GREY H10B上壳, 顶出M20, 不锈钢双扣, 灰色粉末喷涂	-	M20	
T1260103125-000	H10B-TGBS-M25, STAINLESS STEEL DOUBLE LOCKING, POWDER COATED, GREY H10B上壳, 顶出M25, 不锈钢双扣, 灰色粉末喷涂	-	M25	

THIS DRAWING IS A CONTROLLED DOCUMENT. DWN David Wang 29MAY2015
 CHK Chris Wang 29MAY2015
 APVD Xiang Xu 29MAY2015

STE TE Connectivity

NAME H10B-TSBS/TGBS/TSBHS/TGBHS-M/PG

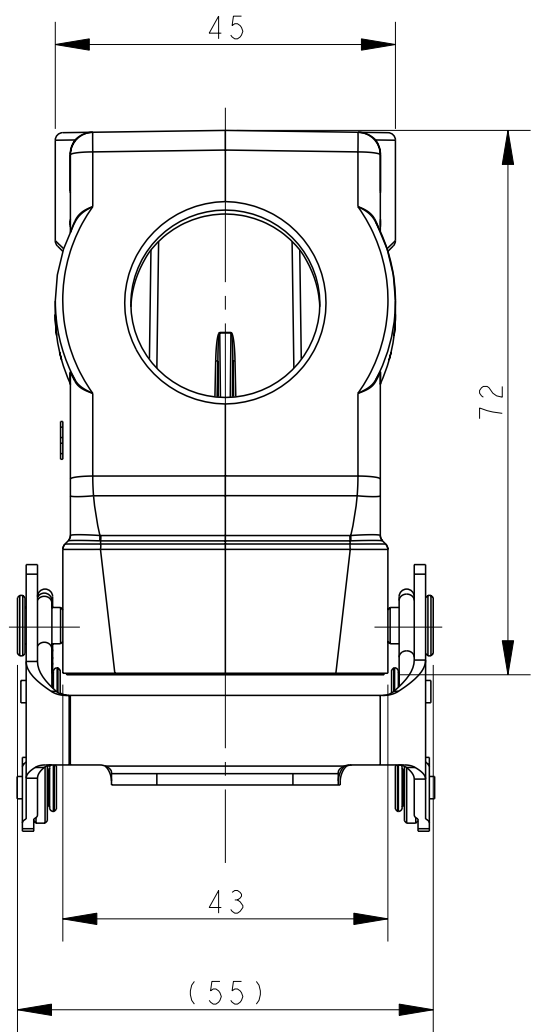
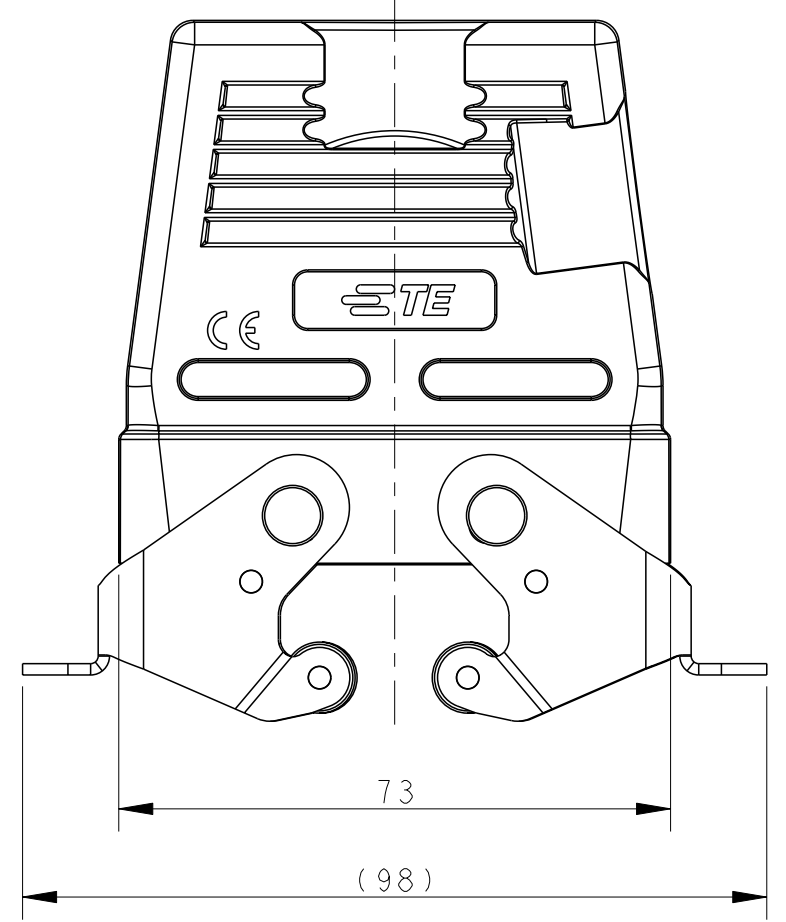
PRODUCT SPEC 108-137013
 APPLICATION SPEC 114-137013

SIZE A2 CAGE CODE 00779 DRAWING NO C-T12X01031XX000 RESTRICTED TO -
 WEIGHT -
 Customer Drawing SCALE 1:1 SHEET 1 OF 2 REV B1

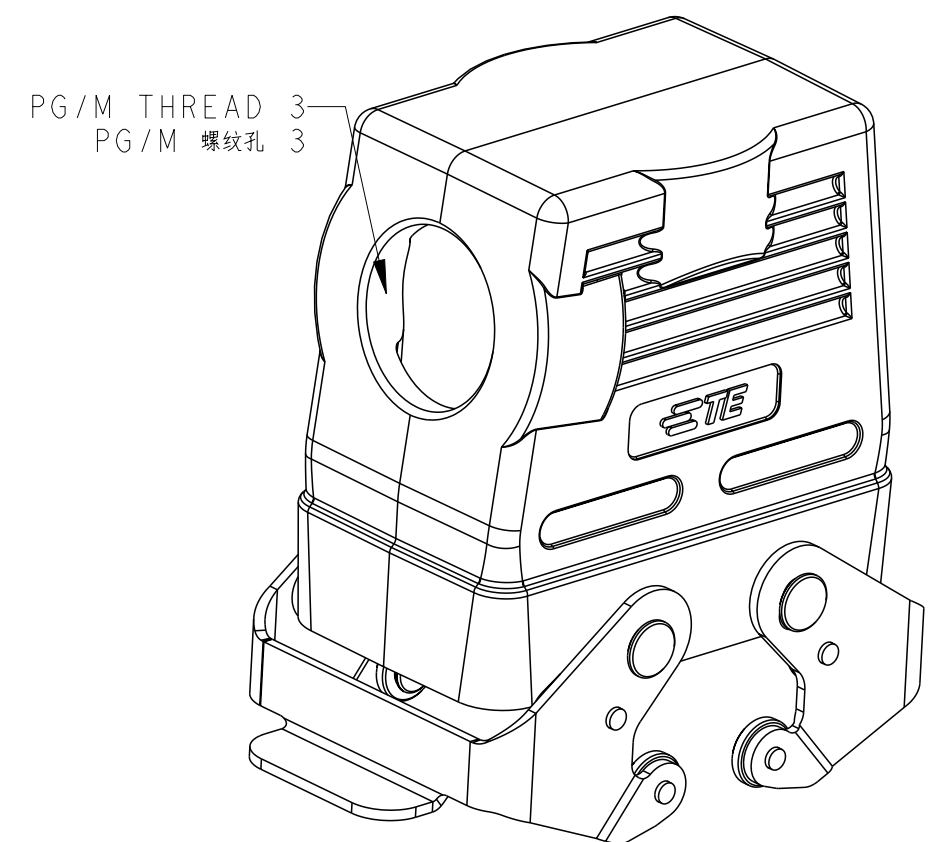
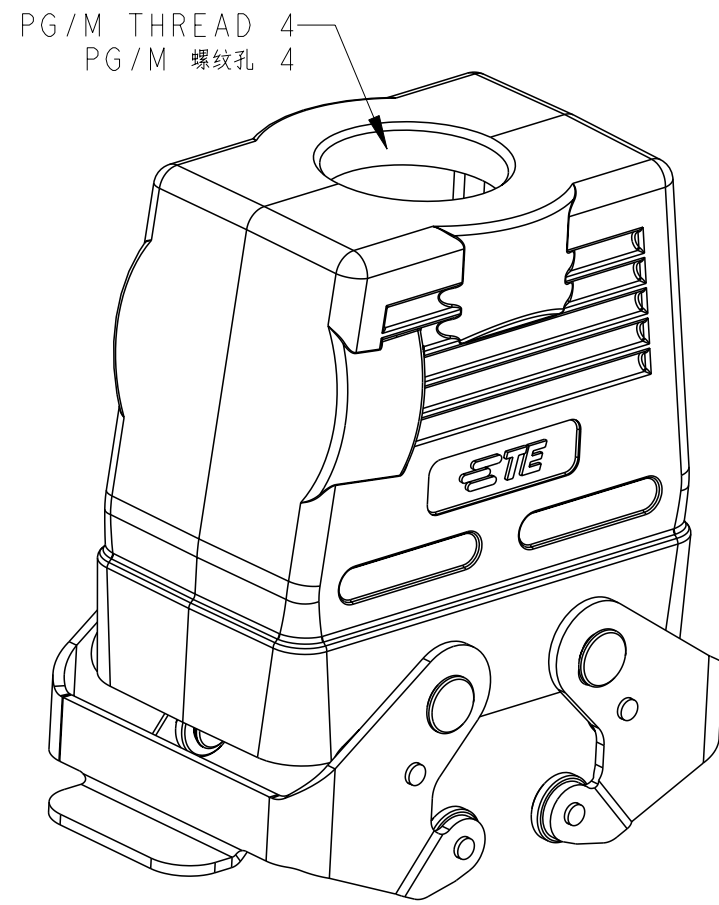
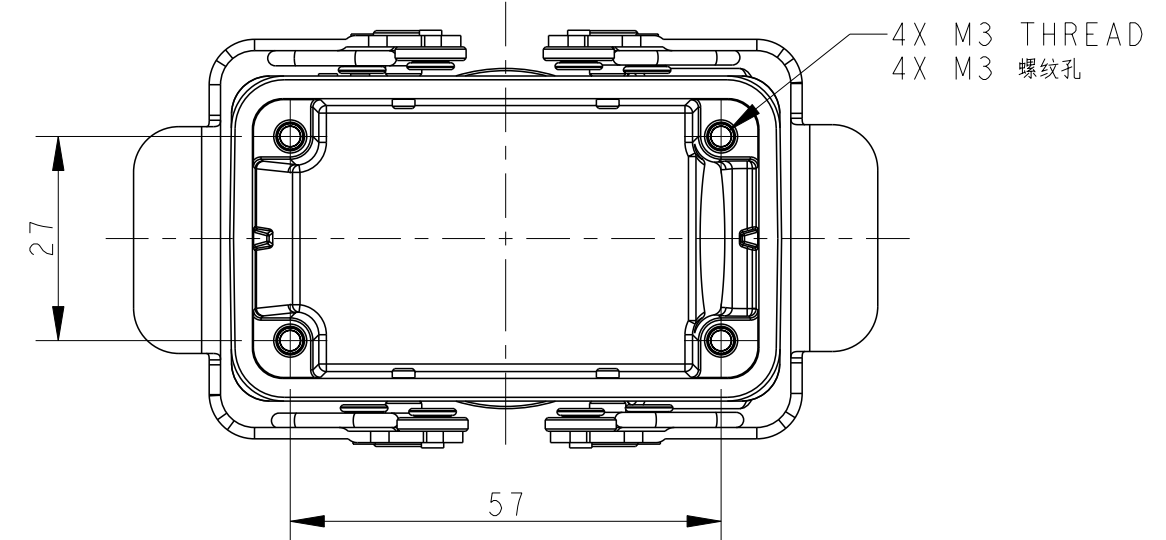
Printed on 17 Jun 2021 10:34 (China Standard Time) from IE343646

THIS DRAWING IS UNPUBLISHED. RELEASED FOR PUBLICATION 20
 © COPYRIGHT 20 BY - ALL RIGHTS RESERVED.

REVISIONS				
P	LTR	DESCRIPTION	DATE	APVD
-	-	SEE SHEET 1	-	-



NOTES:
SEE SHEET 1



PART NUMBER	PART DESCRIPTION	PG/M THREAD 3	PG/M THREAD 4	TYPE
T1270103121-000	H10B-TSBHS-PG21, H10B HOOD, SIDE ENTRY PG21, STAINLESS STEEL DOUBLE LOCKING, HIGH CONSTRUCTION, POWDER COATED, GREY	PG21	-	TYPE 3 类型 3
T1270103125-000	H10B-TSBHS-M25, H10B HOOD, SIDE ENTRY M25, STAINLESS STEEL DOUBLE LOCKING, HIGH CONSTRUCTION, POWDER COATED, GREY	M25	-	
T1270103129-000	H10B-TSBHS-PG29, H10B HOOD, SIDE ENTRY PG29, STAINLESS STEEL DOUBLE LOCKING, HIGH CONSTRUCTION, POWDER COATED, GREY	PG29	-	
T1270103132-000	H10B-TSBHS-M32, H10B HOOD, SIDE ENTRY M32, STAINLESS STEEL DOUBLE LOCKING, HIGH CONSTRUCTION, POWDER COATED, GREY	M32	-	
T1270107134-000	H10B-TSBHS-NPT3/4, H10B HOOD, SIDE ENTRY NPT3/4, STAINLESS STEEL DOUBLE LOCKING, HIGH CONSTRUCTION, POWDER COATED, GREY	NPT3/4	-	TYPE 4 类型 4
T1280103121-000	H10B-TGBHS-PG21, H10B HOOD, TOP ENTRY PG21, STAINLESS STEEL DOUBLE LOCKING, HIGH CONSTRUCTION, POWDER COATED, GREY	-	PG21	
T1280103125-000	H10B-TGBHS-M25, H10B HOOD, TOP ENTRY M25, STAINLESS STEEL DOUBLE LOCKING, HIGH CONSTRUCTION, POWDER COATED, GREY	-	M25	
T1280103129-000	H10B-TGBHS-PG29, H10B HOOD, TOP ENTRY PG29, STAINLESS STEEL DOUBLE LOCKING, HIGH CONSTRUCTION, POWDER COATED, GREY	-	PG29	
T1280103132-000	H10B-TGBHS-M32, H10B HOOD, TOP ENTRY M32, STAINLESS STEEL DOUBLE LOCKING, HIGH CONSTRUCTION, POWDER COATED, GREY	-	M32	

TYPE 3: HIGH CONSTRUCTION, SIDE ENTRY WITH STAINLESS STEEL LOCKING
 类型 3: 高结构, 侧出, 不锈钢双扣

TYPE 4: HIGH CONSTRUCTION, TOP ENTRY WITH STAINLESS STEEL LOCKING
 其他尺寸参照类型 3
 类型 4: 高结构, 顶出, 不锈钢双扣

THIS DRAWING IS A CONTROLLED DOCUMENT.

DWN: David Wang 29MAY2015
 CHK: Chris Wang 29MAY2015
 APVD: Xiang Xu 29MAY2015

TE Connectivity

NAME: H10B-TSBS/TGBS/TSBHS/TGBHS-M/PG

PRODUCT SPEC: 108-137013
 APPLICATION SPEC: 114-137013

MATERIAL: - FINISH: - WEIGHT: -

Customer Drawing

SCALE: 1:1 SHEET: 2 OF 2 REV: B1

Printed on 17 Jun 2021 10:34 (China Standard Time) from IE343646

单击下面可查看定价，库存，交付和生命周期等信息

[>>TE Connectivity\(泰科\)](#)