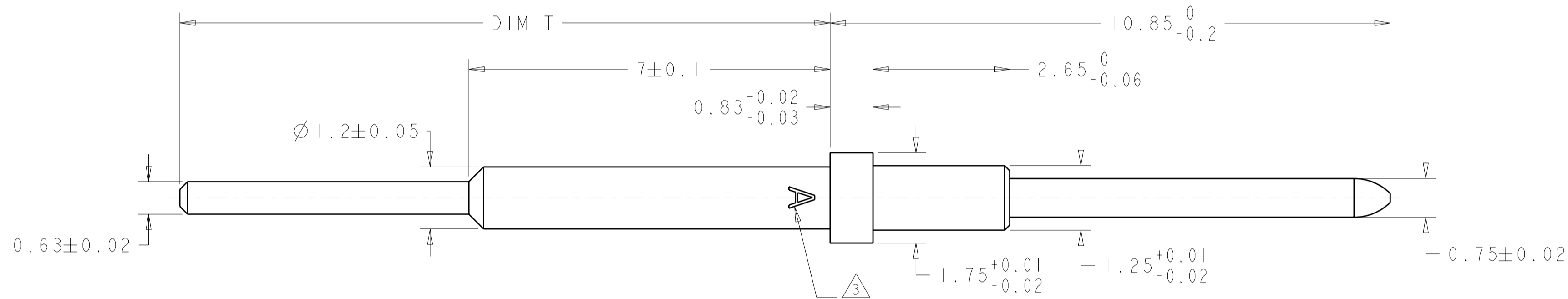


THIS DRAWING IS UNPUBLISHED. RELEASED FOR PUBLICATION  
 © COPYRIGHT BY ALL RIGHTS RESERVED.

LOC	DIST	REVISIONS			
P	LTR	DESCRIPTION	DATE	DWN	APVD
-	-	A	RELEASED PER ECO 12-001858	2-2-12	CT MS



① MAT'L: COPPER ALLOY

② FINISH GOLD PER ASTM B488 OVER NICKEL PER QQ-N-290 ON ENTIRE STOCK

③ OPTIONAL MARKINGS: LETTERS "A" OR "S", OR NONE.

4. THIS PRODUCT IS SOLD BY TYCO ELECTRONICS UNDER A LICENSE FROM RADIALL SA.

17.74±0.1	1738709-7
16.0±0.1	1738709-5
14.24±0.1	1738709-3
12.6±0.1	1738709-1
DIM T	PART NO.

THIS DRAWING IS A CONTROLLED DOCUMENT.		DWN BW	03FEB2005	<b>STE</b> TE Connectivity
DIMENSIONS: mm		CHK JPM	03FEB2005	
TOLERANCES UNLESS OTHERWISE SPECIFIED:		APVD JPM	03FEB2005	
0 PLC ± 1 PLC ± 2 PLC ± 3 PLC ± 4 PLC ± ANGLES ± FINISH		PRODUCT SPEC	-	
MATERIAL	① -	② -	CUSTOMER DRAWING	NAME PIN CONTACT, SIZE 22, SOLDER LEAD, STRAIGHT, GPR
SCALE 15:1		WEIGHT	-	SIZE A200779
SHEET 1 OF 1		RESTRICTED TO	-	DRAWING NO 1738709
REV A				

单击下面可查看定价，库存，交付和生命周期等信息

[>>TE Connectivity\(泰科\)](#)