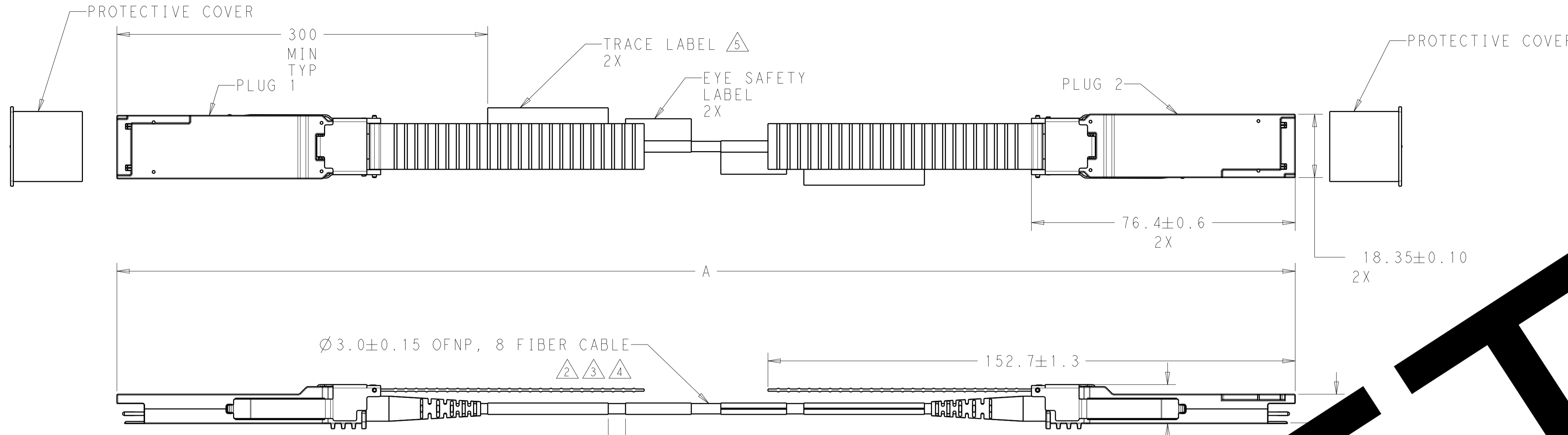
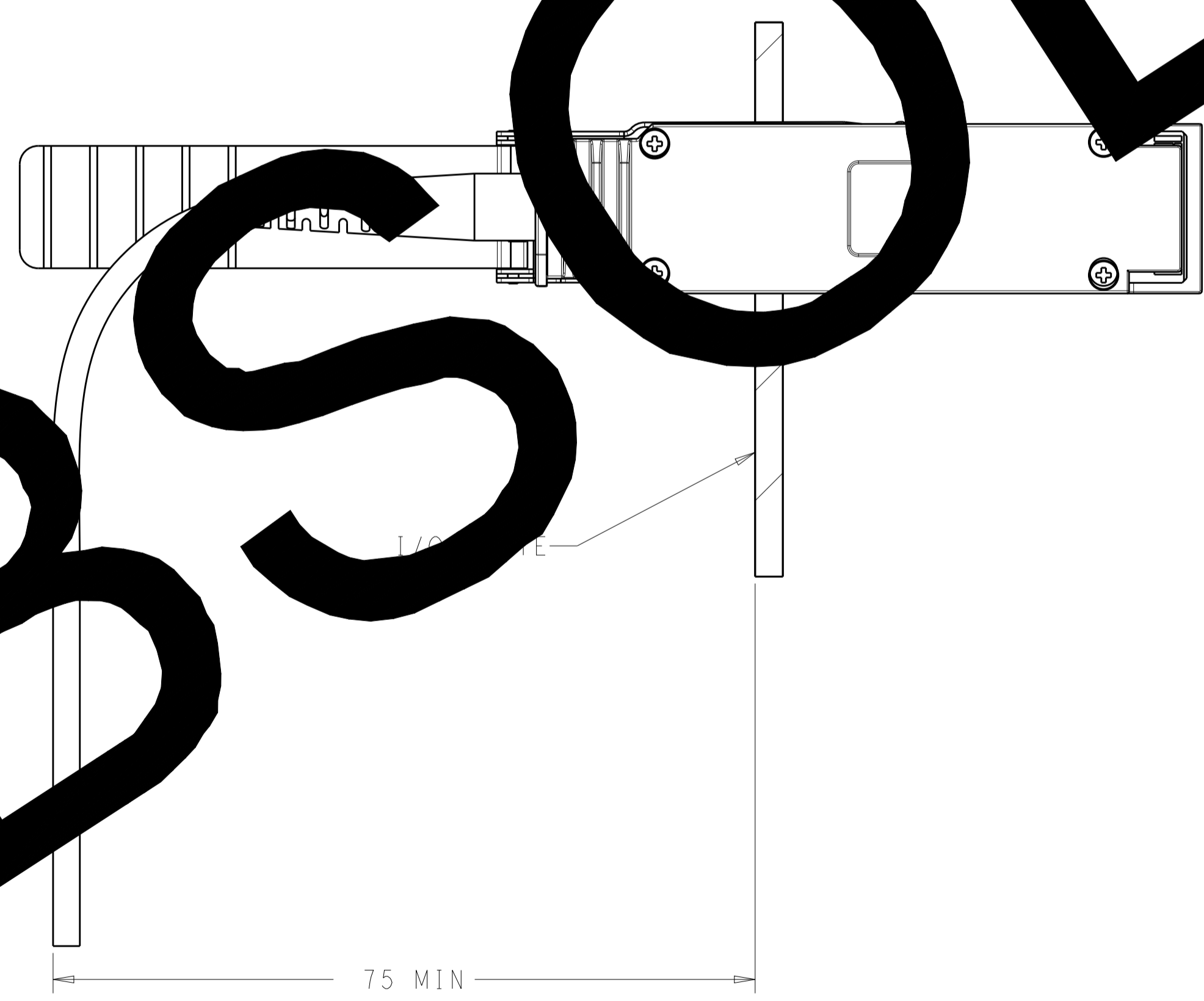
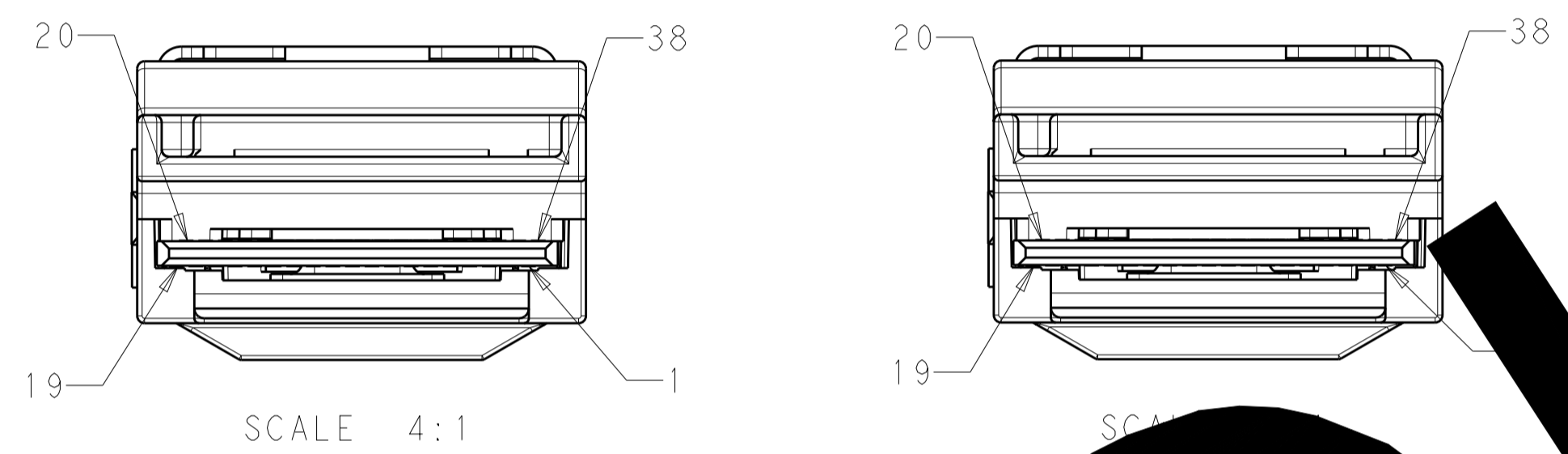
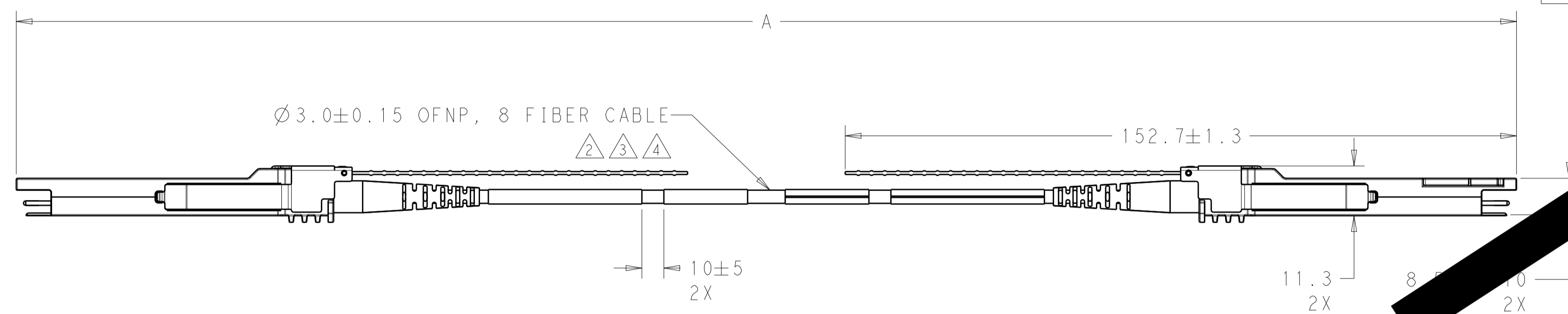


LOC	DIST	REVISIONS					
CE	00	P	LTN	DESCRIPTION	DATE	DWN	APVD
		G		ECR-15-001919	05FEB2015	SW	RZ
		G1		OBSOLETE PER ECR-16-006201	08JUL2016	DEH	JC



1. CONFORMS TO 8-1773461-8 PRODUCT PERFORMANCE REQUIREMENTS, VERIFIED IN ACCORDANCE WITH 501-122042.
- ⚠ CAUTION! CUTTING CABLE MAY RESULT IN HAZARDOUS RADIATION EXPOSURE.
- ⚠ CONFORMS TO GR-409-CORE INTERCONNECT CABLE REQUIREMENTS.
- ⚠ STANDARD OM2 CABLE TO BE USED FOR LENGTHS UP TO 30 METERS, OM3 CABLE FOR LENGTHS OVER 30 METERS.
- ⚠ SEE TRACE LABEL FOR CABLE IDENTIFICATION.
- ⚠ CHASSIS GROUND IS ISOLATED FROM SIGNAL GROUND (GND) IN THE CHASSIS AND CONNECTOR.
- ⚠ THESE CABLES ARE NOT CARRIED THROUGH TO THE OTHER END, SINCE EACH END OF THE CABLE IS POWERED SEPARATELY.
8. THE QSFP MODULES IMPLEMENT THE I²C INTERFACE DESCRIBED IN SFF-8636 REV 1.0.
9. EEPROM PROGRAM NUMBER 2123909.EEPROM_CD REV G. CONTAINS FIRMWARE REVISION 6.15.



OBSOLETE

21±0.21	2-2123909-4
19±0.19	2-2123909-3
18±0.18	2-2123909-2
17±0.17	2-2123909-1
16±0.16	2-2123909-0
14±0.15	1-2123909-9
13±0.15	1-2123909-8
12±0.15	1-2123909-7
11±0.15	1-2123909-6
9±0.15	1-2123909-5
8±0.15	1-2123909-4
7±0.15	1-2123909-3
1±0.15	1-2123909-2
100±0.15	1-2123909-1
50±0.50	1-2123909-0
40±0.40	2123909-9
30±0.30	2123909-8
25±0.25	2123909-7
20±0.20	2123909-6
15±0.15	2123909-5
10±0.15	2123909-4
5±0.15	2123909-3
3±0.15	2123909-2
2±0.15	2123909-1
⚠A/(m)	PART NUMBER

THIS DRAWING IS A CONTROLLED DOCUMENT.

DWN: B. FAIR 13JUNE2013
 CHK: B. BRIGGS 13JUNE2013
 APVD: D. BAECHTLE 13JUNE2013

STE TE Connectivity

NAME: 40GbE, QSFP+(10), PARALIGHT, AOCA
 PRODUCT SPEC: -
 APPLICATION SPEC: -

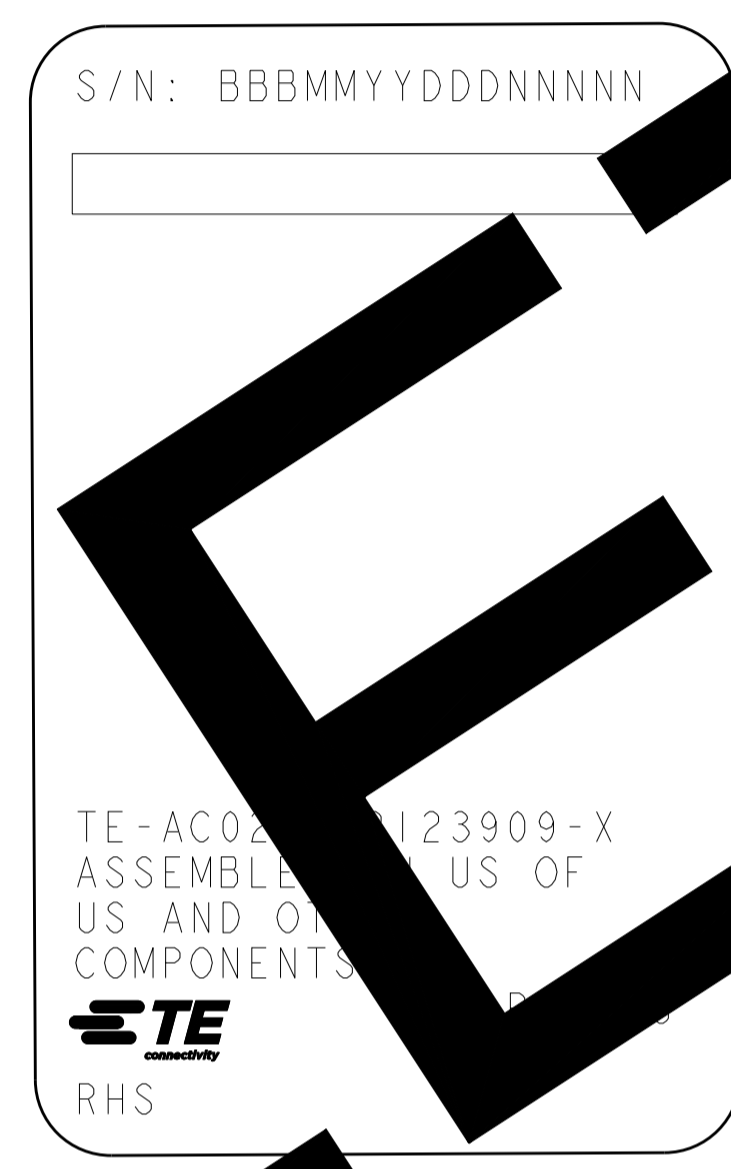
SIZE: A1 CAGE CODE: 100779 DRAWING NO: C=2123909
 WEIGHT: - RESTRICTED TO: -

MATERIAL: - FINISH: -
 Customer Drawing SCALE: 5:4 SHEET 1 OF 2 REV: G1

LOC	DIST	REVISIONS			
P	LTN	DESCRIPTION	DATE	DWN	APVD
-	-	SEE SHEET 1	-	-	-

QSFP	
PIN NO.	SIGNAL
1	GND
2	Tx2n
3	Tx2p
4	GND
5	Tx4n
6	Tx4p
7	GND
8	ModSeIL
9	ResetL
10	Vcc Rx
11	SCL
12	SDA
13	GND
14	Rx3p
15	Rx3n
16	GND
17	Rx1p
18	Rx1n
19	GND
20	GND
21	Rx2n
22	Rx2p
23	GND
24	Rx4n
25	Rx4p
26	GND
27	ModPrsL
28	InTL
29	Vcc Tx
30	Vcc1
31	LPMode
32	GND
33	Tx3p
34	Tx3n
35	GND
36	Tx1p
37	Tx1n
38	GND

OBSOLETE



BAR CODE

TE-AC02- = PREFIX (LAST SAFETY ID)
 X-2123909-X = TE 171 PART NUMBER

SERIAL NUMBER BBBMMYYDDNNNNN
 BB = BUILDING NUMBER
 YY = MANUFACTURING LOCATION
 DD = TWO DIGIT YEAR
 MM = ORDINAL DATE
 NN = FIVE DIGIT SERIAL NUMBER

COUNTRY OF ORIGIN
 WHEN MANUFACTURED
 OUTSIDE THE US LABEL
 MUST READ "MADE IN XXXXX",
 WHERE XXXXX REPRESENTS
 THE COUNTRY OF MANUFACTURING.

TE LOGO & CUSTOMER PRINT REV

THE LABEL INFORMATION
 LAST SAFETY IDENTIFICATION IS BASED ON THE PREFIX
 AND IS THE ONLY MANUFACTURE VISIBLE ON
 THE LABEL.

THIS DRAWING IS A CONTROLLED DOCUMENT.		DWN B FAIR 13JUNE2013	TE TE Connectivity
DIMENSIONS:		CHK B BRIGGS 13JUNE2013	
mm	TOLERANCES UNLESS OTHERWISE SPECIFIED:	APVD D BAECHTLE 13JUNE2013	NAME 40GbE, QSFP+(10), PARALIGHT, AOCA
	0 PLC ±	PRODUCT SPEC	SIZE CAGE CODE DRAWING NO RESTRICTED TO
	1 PLC ±	APPLICATION SPEC	A100779C=2123909
	2 PLC ±	WEIGHT	SCALE 5:4 SHEET 2 OF 2 REV G1
	3 PLC ±	MATERIAL	Customer Drawing
	4 PLC ±	FINISH	
	ANGLES ±		

单击下面可查看定价，库存，交付和生命周期等信息

[>>TE Connectivity\(泰科\)](#)