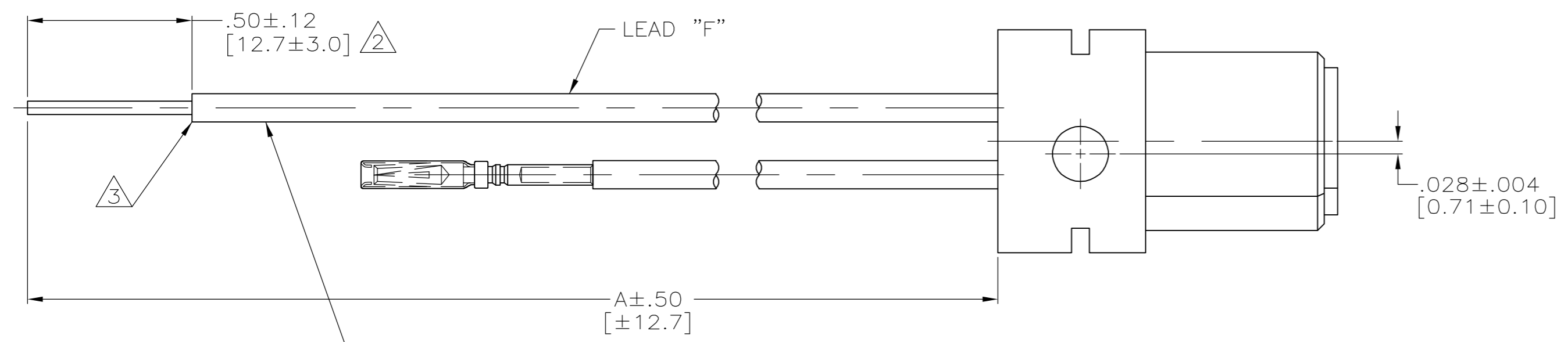
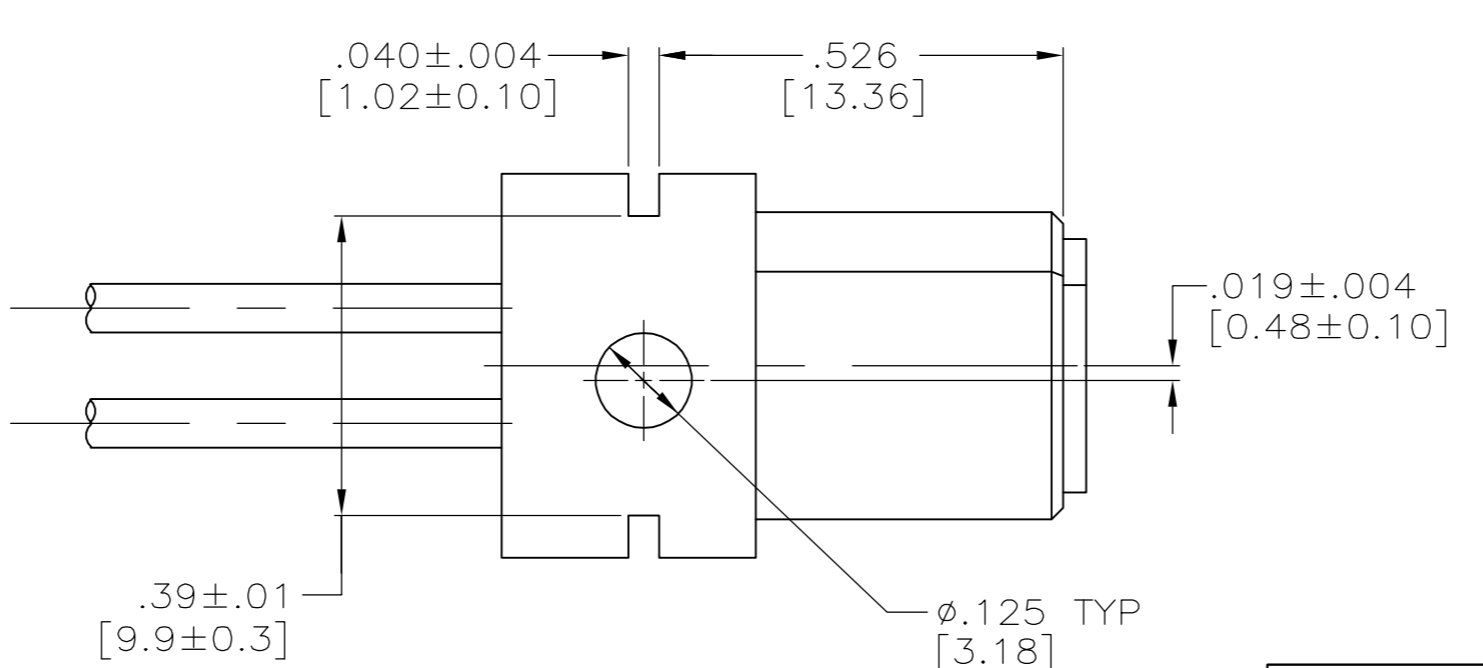
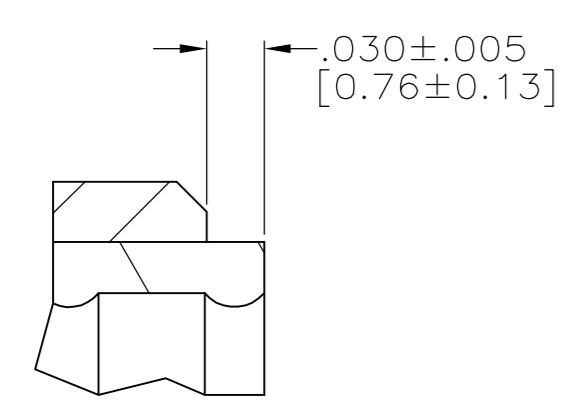
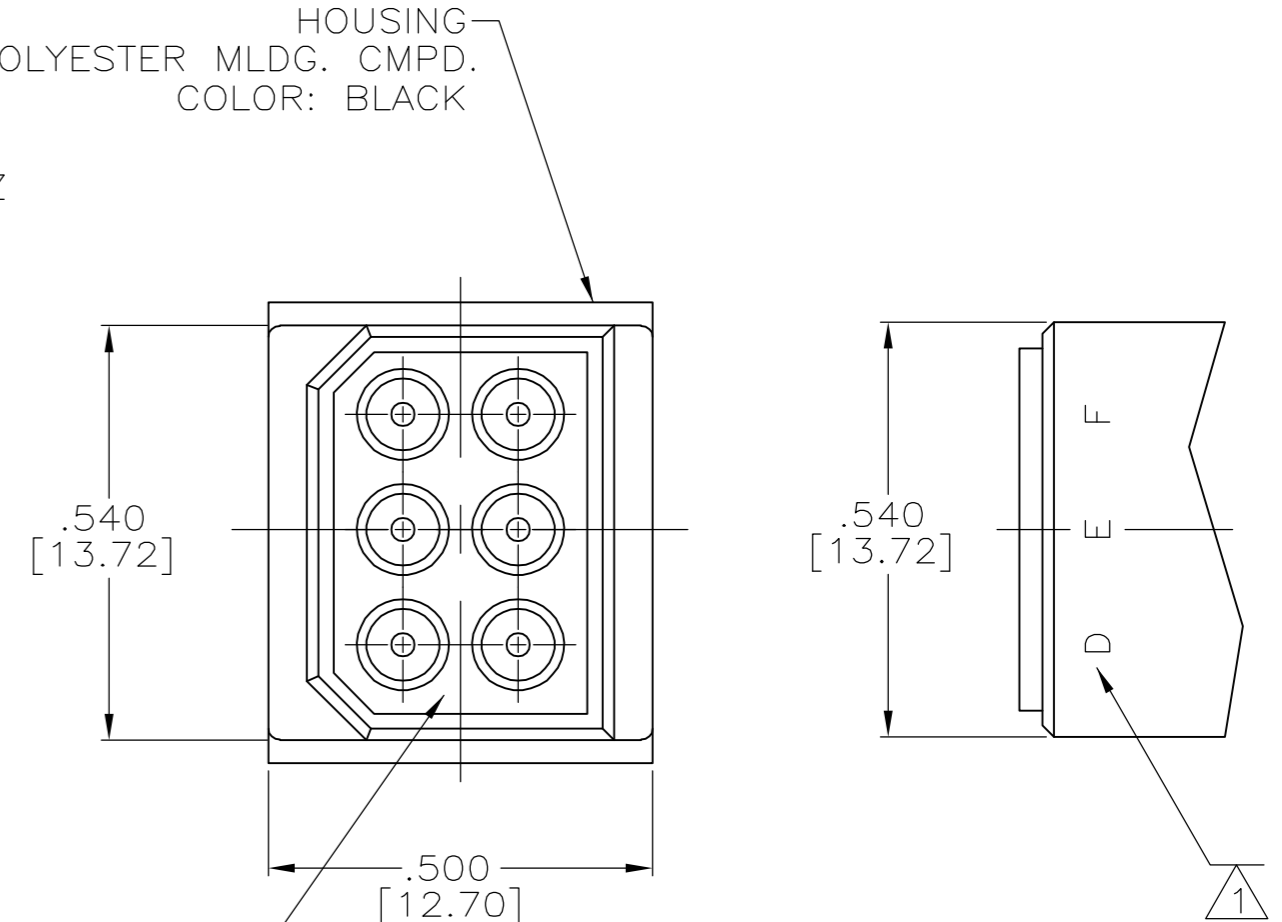
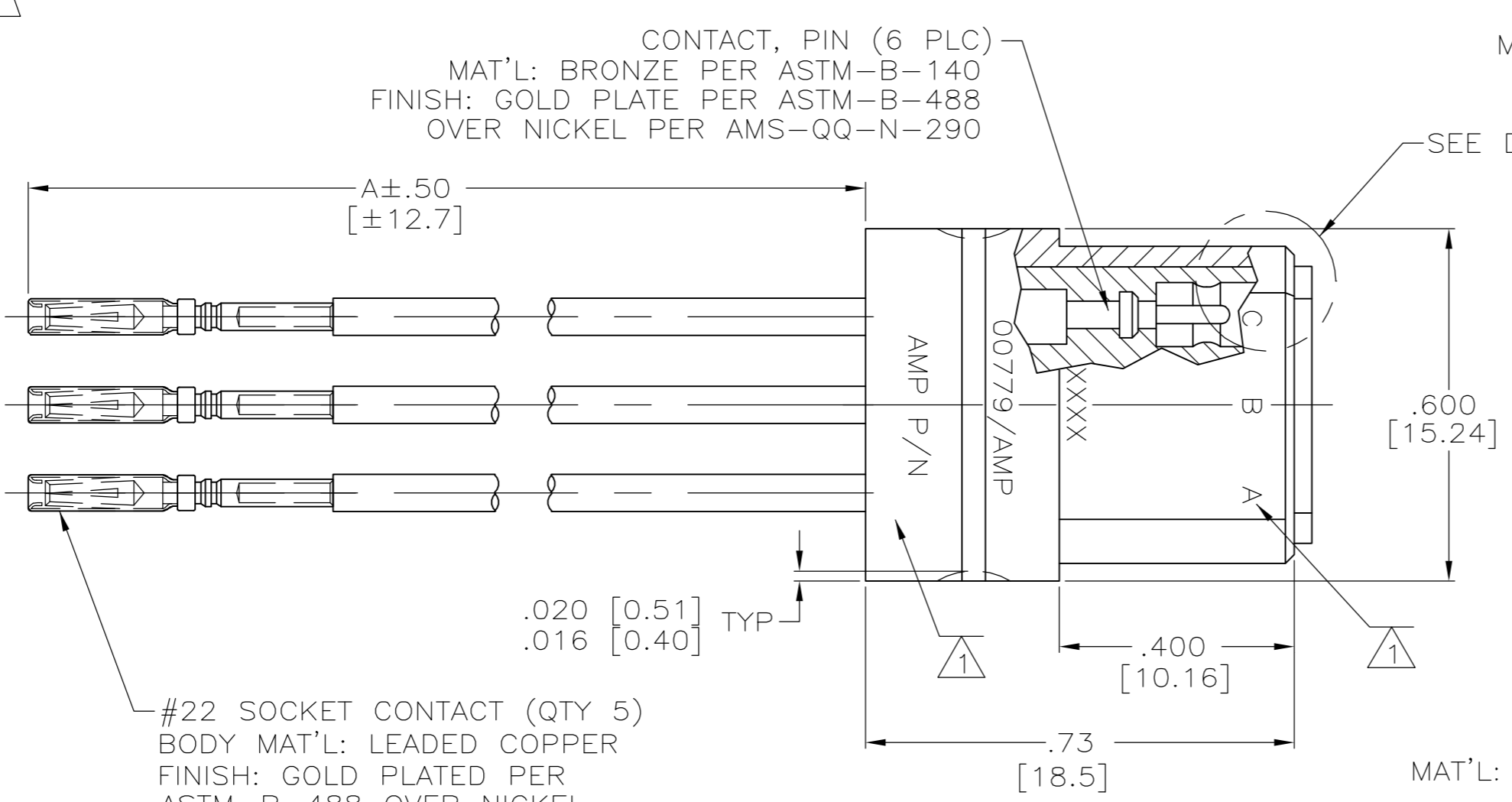


THIS DRAWING IS UNPUBLISHED. RELEASED FOR PUBLICATION - N/A .
 © COPYRIGHT N/A BY TYCO ELECTRONICS CORPORATION. ALL RIGHTS RESERVED.

LOC		DIST		REVISIONS			
P	LTR	DESCRIPTION		DATE	DWN	APVD	
F		REV PER ECO-05-003302		08-05	AA	DE	



- ① MARKED PER MIL-STD-130.
- ② PIGTAIL IS SOLDER DIPPED.
- ③ INSULATION CUT, BUT NOT REMOVED.



REMARKS	DIM A	LEAD COLOR	LETTER CAVITY	PART NO.
③	13.00 [330.2]	BLACK	F	5-868021-1
-	4.00 [101.6]	GREEN	E	
-	4.00 [101.6]	BLUE	D	
-	4.00 [101.6]	BROWN	C	
-	4.00 [101.6]	RED	B	
-	4.00 [101.6]	YELLOW	A	868021-1
②	13.00 [330.2]	BLACK	F	
-	4.00 [101.6]	GREEN	E	
-	4.00 [101.6]	BLUE	D	
-	4.00 [101.6]	BROWN	C	
-	4.00 [101.6]	RED	B	
-	4.00 [101.6]	YELLOW	A	

DETAIL Z
SCALE 10:1

THIS DRAWING IS A CONTROLLED DOCUMENT.

DWN	C.C.THOMAS	02-DEC-92
CHK	D.EABY	11-JAN-93
APVD	D.EABY	11-JAN-93
PRODUCT SPEC		
APPLICATION SPEC		
WEIGHT	-	
CUSTOMER DRAWING		

tyco Electronics Tyco Electronics Corporation
Harrisburg, Pa 17105-3608

NAME: PLUG ASSY
6 POSN WITH FLYING LEADS
LGH

SIZE	CAGE CODE	DRAWING NO	RESTRICTED TO
A2	00779	C=868021	-

SCALE 4:1 SHEET 1 OF 1 REV F

单击下面可查看定价，库存，交付和生命周期等信息

[>>TE Connectivity\(泰科\)](#)