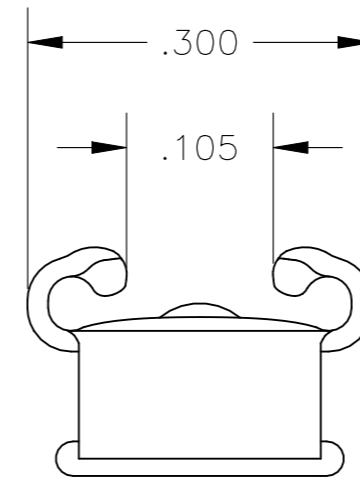
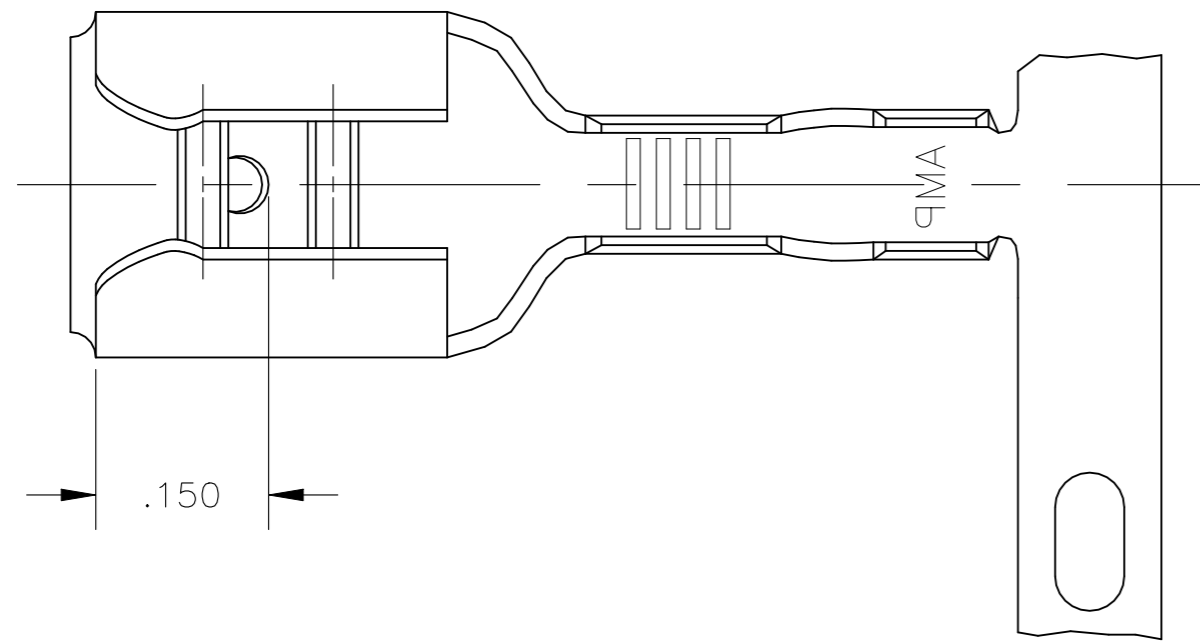
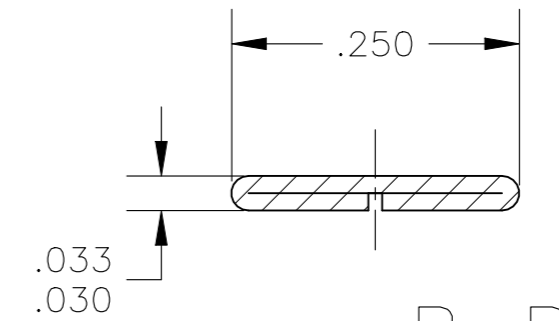


REVISIONS					
P	LTR	DESCRIPTION	DATE	DWN	APVD
C1		REVISED PER ECR-19-018140	23DEC2020	SS	EW

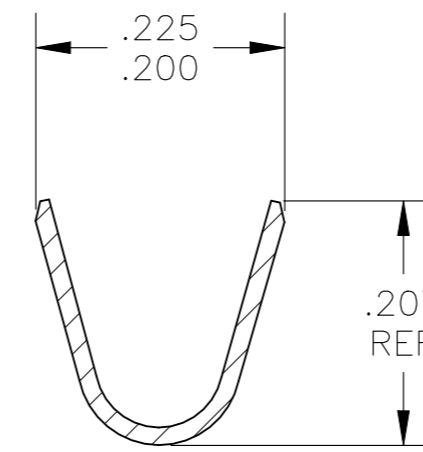
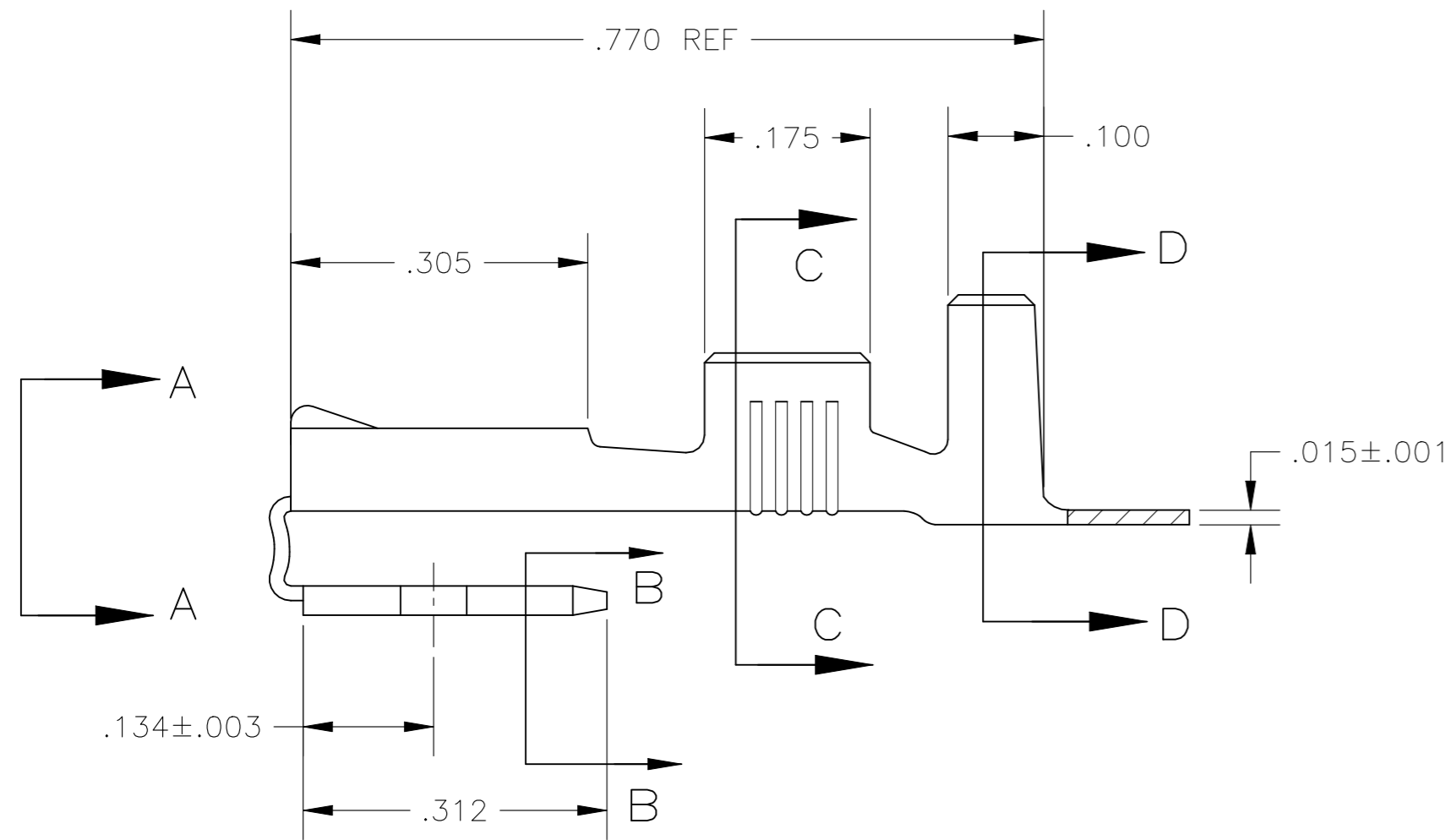
- 1 CONTINUOUS STRIP ON REELS
- 2 MATING TAB THK TO BE $.032 \pm .001$
- 3 WIRE SIZE IS #12-#10 AWG.
- 4 INSULATION RANGE IS $.140-.200$ DIA



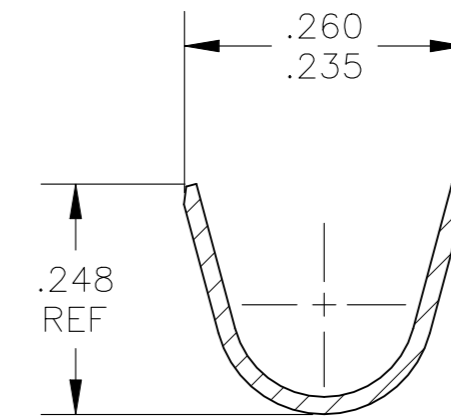
VIEW A-A
SCALE 8:1



SECTION B-B
SCALE 8:1



SECTION C-C
SCALE 8:1



SECTION D-D
SCALE 8:1

TIN	1742402-2
OBSOLETE	1742402-1
FINISH	PART NO

THIS DRAWING IS A CONTROLLED DOCUMENT.		DWN	JR_RUTH	02FEB06
DIMENSIONS: INCHES		CHK	P_DESANTIS	02FEB06
TOLERANCES UNLESS OTHERWISE SPECIFIED:		APVD	P_DESANTIS	02FEB06
0 PLC	± -	PRODUCT SPEC	NAME	
1 PLC	± -	APPLICATION SPEC	RECEPTACLE, FASTON, PIGGYBACK, .250 SERIES	
2 PLC	± -	114-2082	SIZE	A2
3 PLC	± .010	WEIGHT	CAGE CODE	00779
4 PLC	± -	CUSTOMER DRAWING	DRAWING NO	C=1742402
ANGLES	± -		RESTRICTED TO	-
MATERIAL	BRASS	FINISH	SEE TABLE	SCALE
		SCALE	6:1	SHEET
		SCALE	6:1	1 OF 1
		REV	C1	

1742402

A

单击下面可查看定价，库存，交付和生命周期等信息

[>>TE Connectivity\(泰科\)](#)