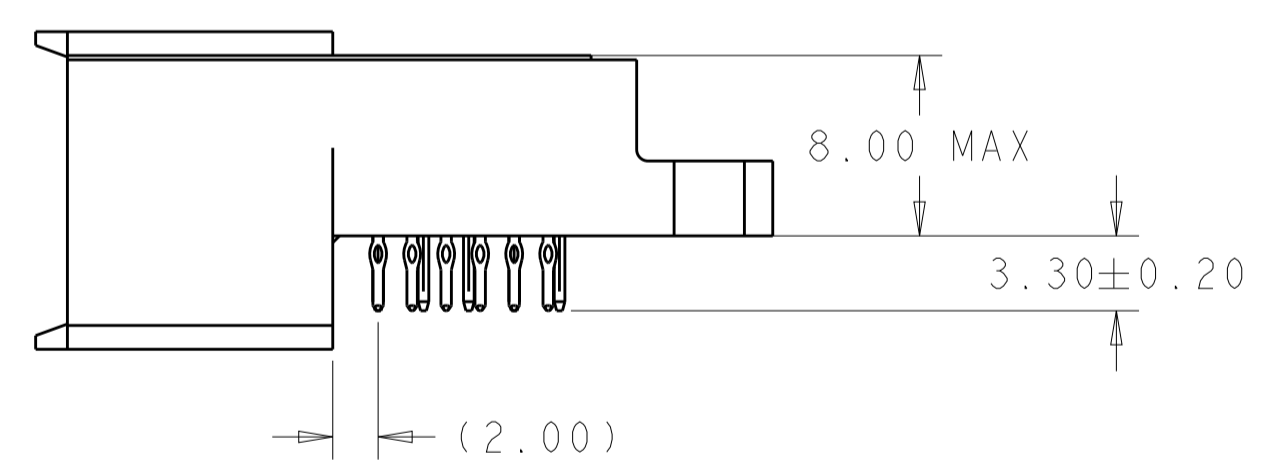
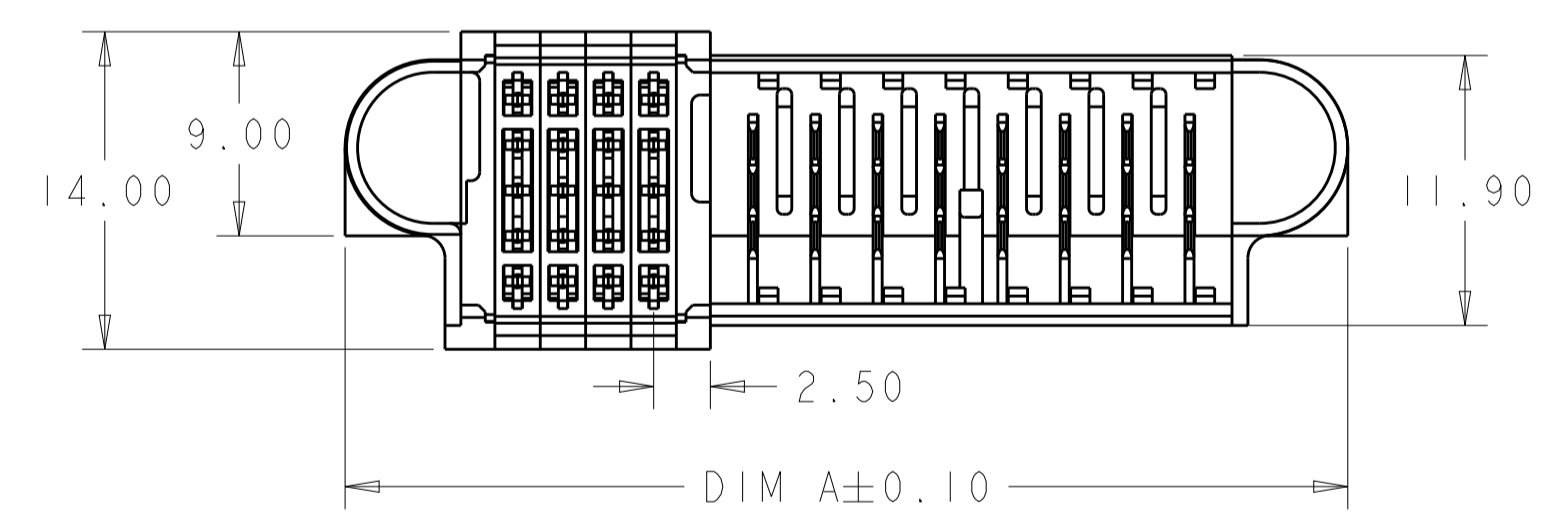
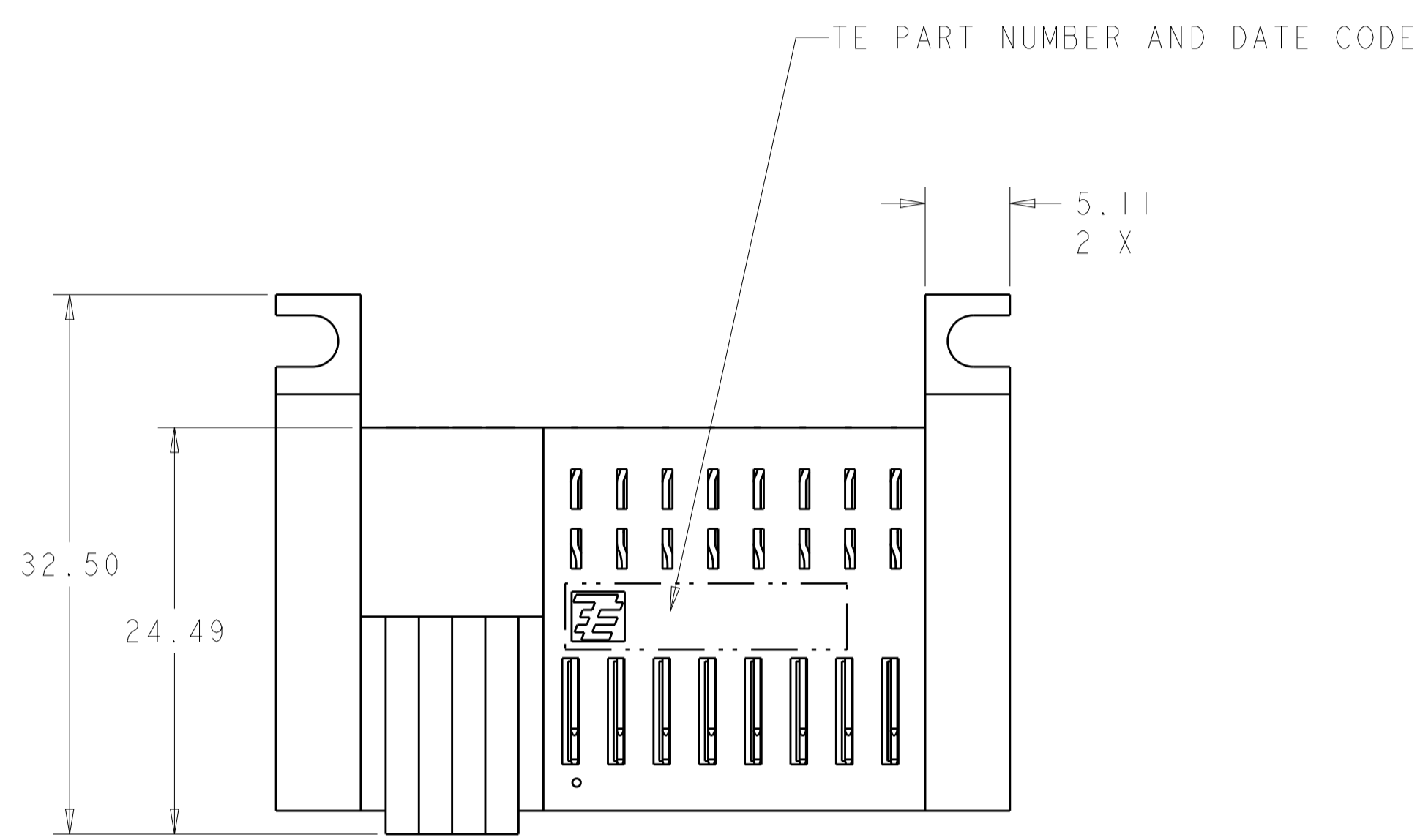


LOC	DIST	REVISIONS					
		P	LTN	DESCRIPTION	DATE	DWN	APVD
AA	00	1		PROPOSAL DRAWING	27OCT2011	OL	SZ
		2		REV PER ECR-12-018079	19OCT2012	OL	SZ
		3		ADD NEW PART	09AUG2013	OL	SZ



- HOUSING: GLASS FILLED LIQUID CRYSTAL POLYMER, COLOR: BLACK, UL 94 V-0 RATED
 SIGNAL CONTACT: PHOSPHOR BRONZE
 SIGNAL OVERMOLD: GLASS FILLED POLYESTER
 POWER CONTACT: COPPER ALLOY
 - SIGNAL CONTACT: 0.00127mm MIN NICKEL ALL OVER,
 MATING AREA: 0.00076mm MIN GOLD OR
 0.00008mm MIN GOLD OVER 0.00076mm MIN PALLADIUM-NICKEL
 TAIL AREA: 0.0005mm MIN MATTE TIN

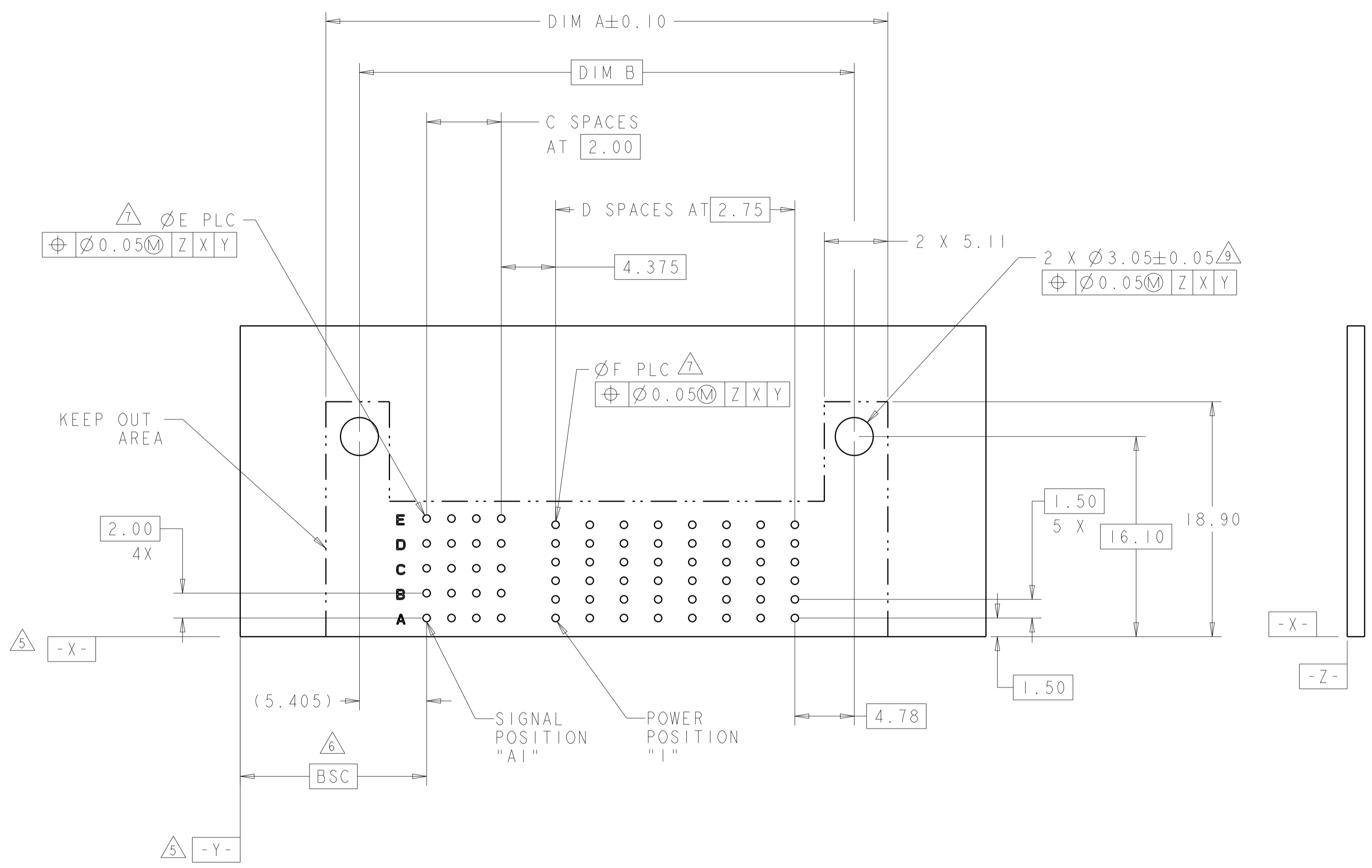
 POWER CONTACT: 0.00127mm MIN NICKEL ALL OVER,
 MATING AREA: 0.00076mm MIN GOLD OR
 0.00008mm MIN GOLD OVER 0.00076mm MIN PALLADIUM-NICKEL
 TAIL AREA: 0.0005mm MIN MATTE TIN
 - CONTACT MATING AREA LUBRICATED WITH BELLCORE APPROVED LUBRICANT,
 TECHNICAL REFERENCE: GR-1217-CORE, ISSUE 1, NOVEMBER 1995.
 - THIS CONNECTOR EMPLOYS UL RECOGNIZED Z-PACK 2mm HM SIGNAL CONTACTS
- △ DATUMS AND BASIC DIMENSIONS TO BE ESTABLISHED BY CUSTOMER.
- △ PC BOARD THICKNESS 1.4mm MIN, FOR WAVE SOLDER PC BOARD THICKNESS 2.62 MAX
- △ SEE APPLICATION NOTE 114-13215 FOR PLATED THROUGH HOLE INFORMATION
8. SEE CUSTOMER DRAWING 1926845 FOR MATING CONNECTOR
- △ UNPLATED HOLES
- △ #4-40 UNC PAN HEAD SCREW WITH HEX NUT NOT SHOWN. PAN HEAD SCREW SUPPLIED BY CUSTOMER

1-1892786-1 SHOWN

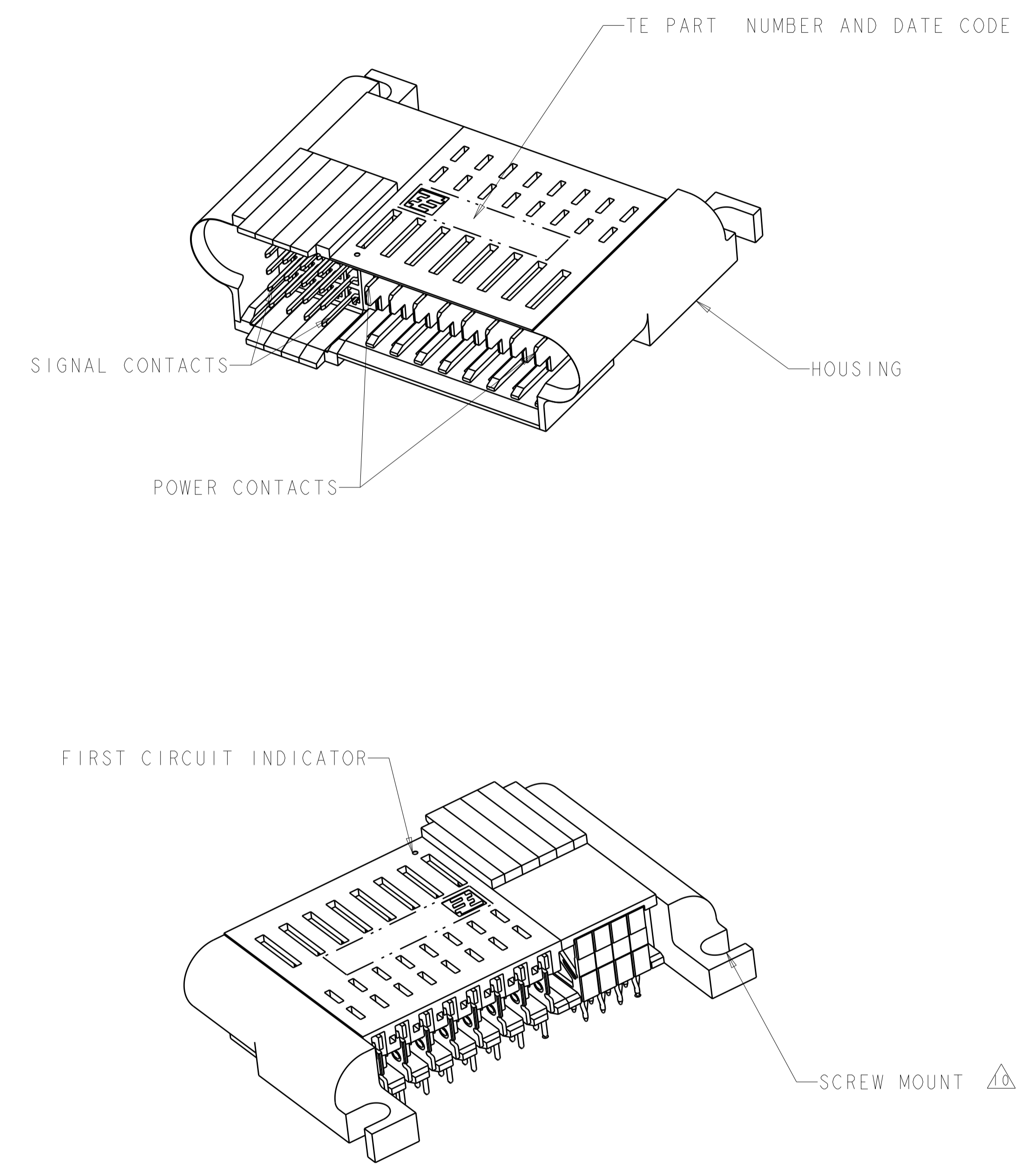
144	40	23	7	91.81	96.21	40S X 24P	7-1892786-7
96	25	15	4	63.81	68.21	25S X 16P	4-1892786-6
60	25	9	4	47.31	51.71	25S X 10P	2-1892786-5
48	25	7	4	41.81	46.21	25S X 8P	1-1892786-8
48	20	7	3	39.81	44.21	20S X 8P	1-1892786-1
72	25	11	4	52.81	57.21	25S X 12P	1892786-9
24	20	3	3	28.81	33.21	20S X 4P	1892786-4
F PLACES	E PLACES	D SPACES	C SPACES	DIM B	DIM A	NO OF POSITIONS	PART NUMBER

DIMENSIONS: mm TOLERANCES UNLESS OTHERWISE SPECIFIED: 0 PLC ± 1 PLC ±0.13 2 PLC ± 3 PLC ± 4 PLC ± ANGLES ±°		DIMENSIONS: mm TOLERANCES UNLESS OTHERWISE SPECIFIED: 0 PLC ± 1 PLC ±0.13 2 PLC ± 3 PLC ± 4 PLC ± ANGLES ±°		DIMENSIONS: mm TOLERANCES UNLESS OTHERWISE SPECIFIED: 0 PLC ± 1 PLC ±0.13 2 PLC ± 3 PLC ± 4 PLC ± ANGLES ±°		DIMENSIONS: mm TOLERANCES UNLESS OTHERWISE SPECIFIED: 0 PLC ± 1 PLC ±0.13 2 PLC ± 3 PLC ± 4 PLC ± ANGLES ±°	
MATERIAL: SEE NOTE 1 FINISH: SEE NOTE 2		WEIGHT: - Customer Drawing		DWN: LORANDO LI 27OCT2011 CHK: SUNY ZHAO 27OCT2011 APVD: SUNY ZHAO 27OCT2011		Tyco Electronics Shanghai, PR 200233	
PRODUCT SPEC: 108-2325 APPLICATION SPEC: 114-13215				NAME: PLUG ASSEMBLY, RIGHT ANGLE, PASSIVE GUIDE, SIGNAL/POWER, WITH SCREW MOUNT, MINIPAK HDL		SIZE: A 00779 C=1892786	
SCALE: 3:1				SHEET 1 OF 2		REV 3	

LOC	DIST	REVISIONS			
P	LTH	DESCRIPTION	DATE	OWN	APVD
AA	00	SEE SHEET 1			



1-1892786-1 SHOWN
RECOMMENDED PRINTED CIRCUIT BOARD LAYOUT
 (AS VIEWED FROM COMPONENT SIDE)



1-1892786-1 SHOWN

<small>THIS DRAWING IS UNPUBLISHED. RELEASED FOR PUBLICATION BY TYCO ELECTRONICS CORPORATION. ALL RIGHTS RESERVED.</small>		DWN: ORANDO LL 27OCT2011 CHK: SUNY ZHAO 27OCT2011 APVD: SUNY ZHAO 27OCT2011	Tyco Electronics Shanghai, PR 200233
DIMENSIONS: mm 	TOLERANCES UNLESS OTHERWISE SPECIFIED: 0 PLC ± 1 PLC ±0.13 2 PLC ± 3 PLC ± 4 PLC ± ANGLES ±1°	NAME: PLUG ASSEMBLY, RIGHT ANGLE, PASSIVE GUIDE, SIGNAL/POWER, WITH SCREW MOUNT, MINIPAK HDL PRODUCT SPEC: 108-2325 APPLICATION SPEC: 114-13215 WEIGHT: -	SIZE: A CAGE CODE: 00779 DRAWING NO: 1892786 RESTRICTED TO: -
MATERIAL: SEE NOTE 1 FINISH: SEE NOTE 2	Customer Drawing	SCALE: 3:1 SHEET: 2 OF 2 REV: 3	

单击下面可查看定价，库存，交付和生命周期等信息

[>>TE Connectivity\(泰科\)](#)