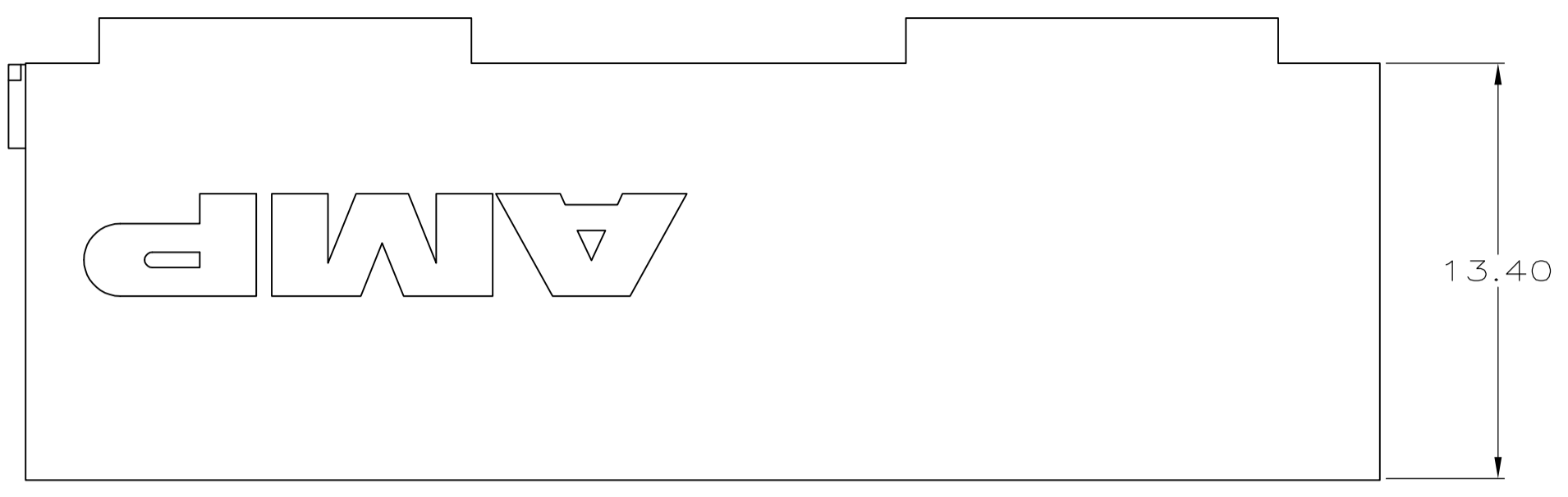
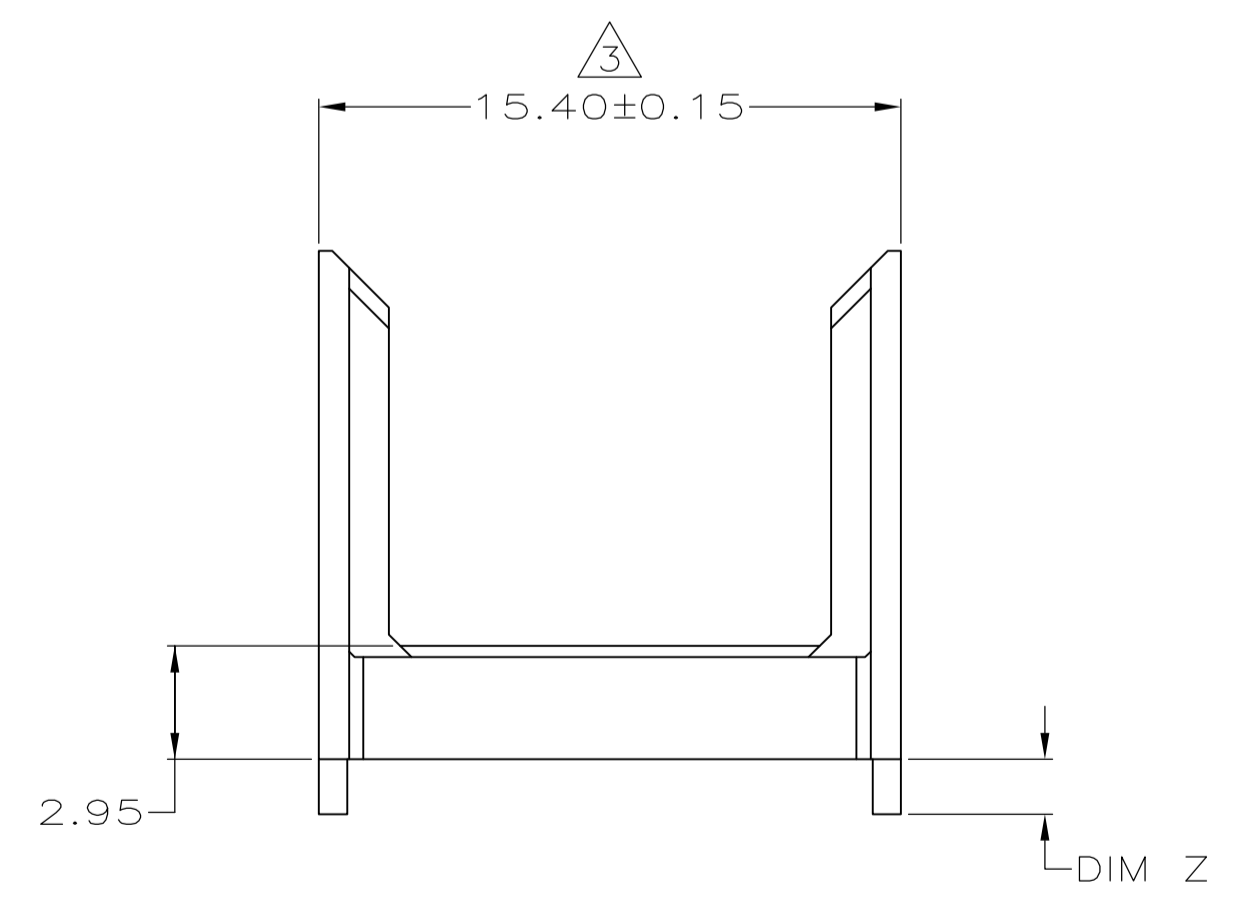
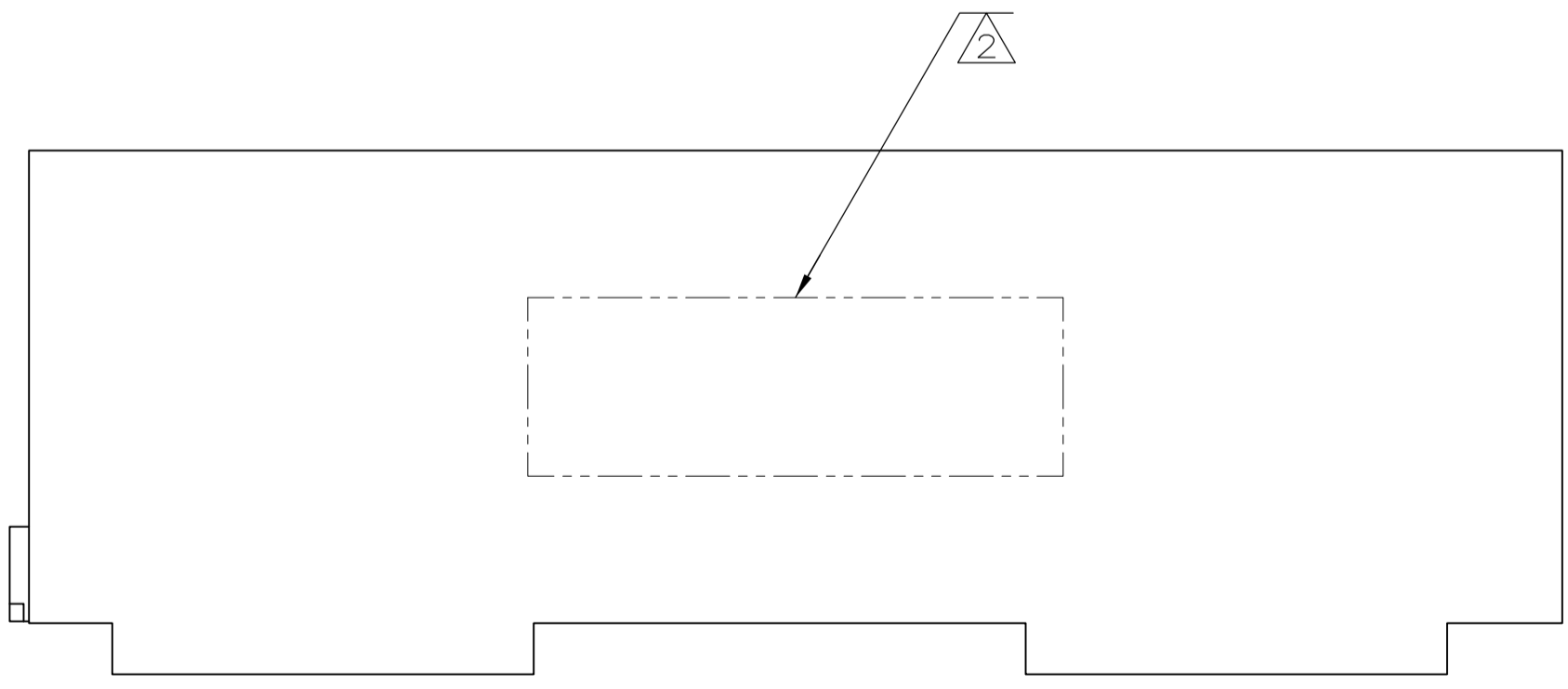
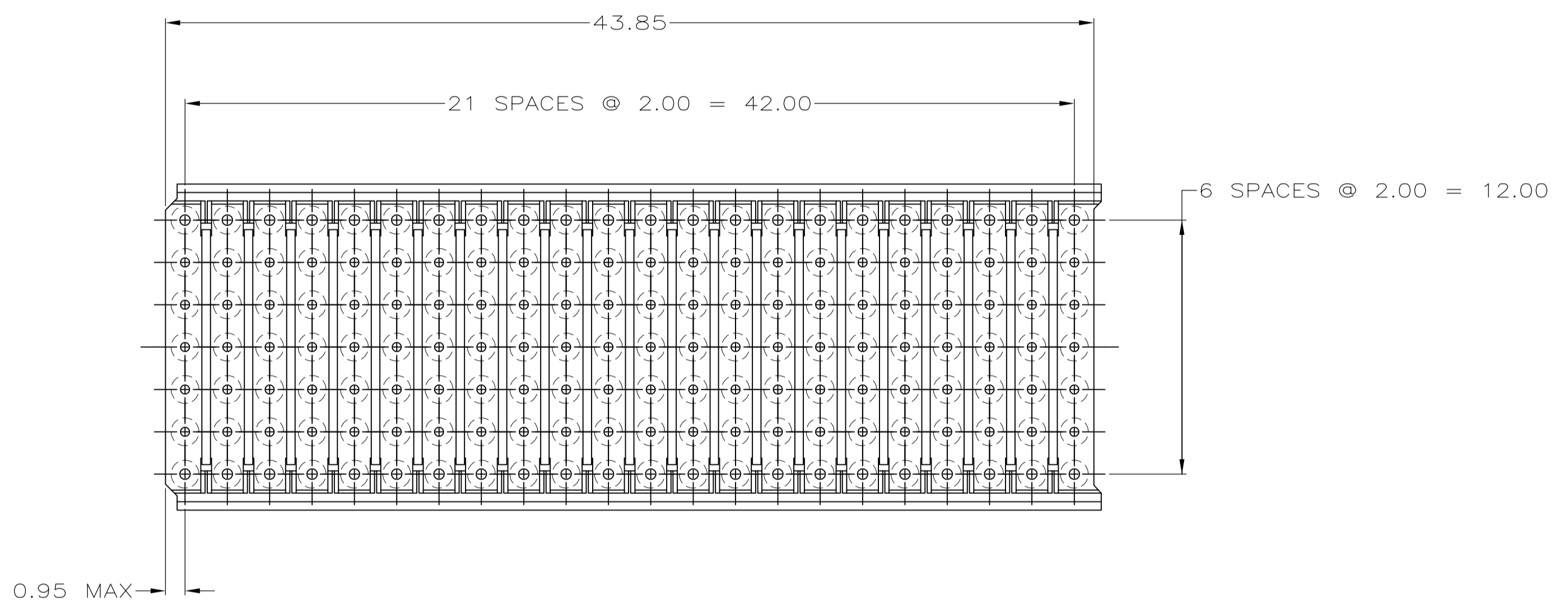


LOC		DIST		REVISIONS			
AD	47	SP	LTR	DESCRIPTION	DATE	DWN	APVD
		C		REV PER EC 0U1B-0192-01	27 JUN 01	BC	RP
		C1		REVISED PER ECO-10-000443	15JAN10	KK	AEQ
		D		ECR-10-019054	15SEP10	DP	MQW



- △ MATERIAL: GLASS FILLED POLYESTER.
- △ PART NUMBER MARKED IN APPROXIMATE AREA SHOWN.
- △ TO BE MEASURED AT BASE OF SHROUD.
- △ OBSOLETE PARTS: OBSOLETE CIS STREAMLINING PER D.RENAUD/D.SINISI



△ OBSOLETE	1.90	646482-7
△ OBSOLETE	1.70	646482-6
	1.50	646482-5
	1.30	646482-4
△ OBSOLETE	1.10	646482-3
	0.90	646482-2
		646482-1
	DIM Z	PART NUMBER

THIS DRAWING IS A CONTROLLED DOCUMENT

DIMENSIONS:	TOLERANCES UNLESS OTHERWISE SPECIFIED:	DWN	T. SHUEY	9-29-98
mm	0-PLC ±	CHK	G. SKIPPER	11-23-98
	1-PLC ±	APVD	G. SKIPPER	11-23-98
	2-PLC ±0.05	NAME	SHROUD, TYPE B,Z-PACK 2mm HM, 5 ROW, 154 POSITION	
	3-PLC ±	APPLICATION SPEC	SIZE	CAGE CODE
	4-PLC ±	WEIGHT	A100779	DRAWING NO
	ANGLES	CUSTOMER DRAWING	646482	RESTRICTED TO
MATERIAL	FINISH	SCALE	5:1	SHEET
△			1	OF
				REV
				D

AMP Incorporated Harrisburg, PA 17105-3608

单击下面可查看定价，库存，交付和生命周期等信息

[>>TE Connectivity\(泰科\)](#)