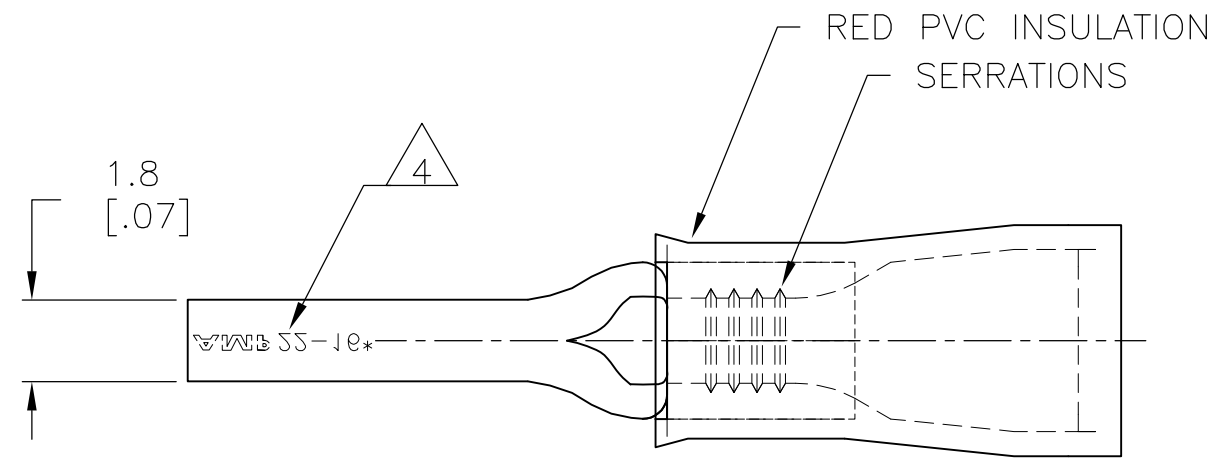


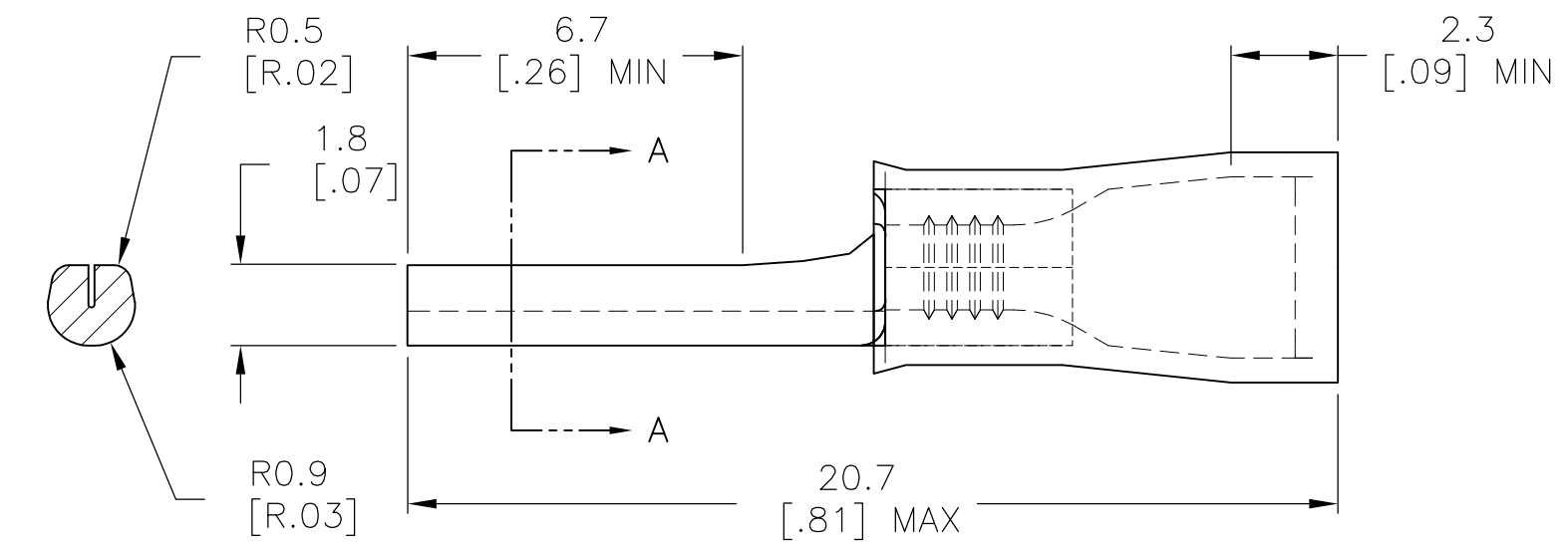
THIS DRAWING IS UNPUBLISHED. RELEASED FOR PUBLICATION  
 © COPYRIGHT - By - ALL RIGHTS RESERVED.

LOC	DIST	REVISIONS			
P	LTR	DESCRIPTION	DATE	DWN	APVD
G	14	D1	REVISED PER ECO-14-003208	19MAR2014	NK DR



<b>AMP</b> WIRE RANGE	<b>RA</b> FILE E13288
22-16 AWG STRANDED	22-16 AWG STRANDED

- 1 WIRE INSULATION DIA.  
3.56[.140] MAX DIA.
- 2 MATERIAL: BODY - CU PER ASTM B152  
INSULATION - PVC
- 3 FINISH: BODY - TIN PL ASTM B545  
INSULATION - COLOR - RED
- 4 STAMP AMP 22-16\* APPROX AS SHOWN



SECTION A-A

1000	LOOSE PIECE	165143
QTY	PACKAGE TYPE	PART NO

<b>CUSTOMER SERVICE SYSTEMS</b>		MAX RECOMMENDED OPERATING TEMPERATURE: 105°C [221°F]	THIS DRAWING IS A CONTROLLED DOCUMENT.		DWN JR RUTH 16AUG10	<b>STE</b> TE Connectivity						
FOR ADDITIONAL PRODUCT INFORMATION OR COPIES OF DRAWINGS AND TECHNICAL DOCUMENTS	PRODUCT INFORMATION CENTER 1-800-522-6752	VOLTAGE RATING: -	DIMENSIONS: mm [INCHES]	TOLERANCES UNLESS OTHERWISE SPECIFIED:	CHK T MICHELUTTI 16AUG10					NAME TERMINAL, WIRE PIN, PLASTI-GRIP WIRE SIZE, 22-16 AWG		
FOR APPLICATION TOOLING INFORMATION	TOOLING ASSISTANCE CENTER 1-800-722-1111	CIRCULAR MIL AREA: 0.25-1.6mm <sup>2</sup> [493-3158] STRANDED		0 PLC ± - 1 PLC ± 0.38[.015] 2 PLC ± 0.20[.007] 3 PLC ± - 4 PLC ± - ANGLES ± -	APVD T MICHELUTTI 16AUG10	PRODUCT SPEC						
FOR ORDER ENTRY	1-800-526-5142	THIS DRAWING IS A CONTROLLED DOCUMENT FOR AMP INCORPORATED. IT IS SUBJECT TO CHANGE AND THE CONTROLLING ENGINEERING ORGANIZATION SHOULD BE CONTACTED FOR THE LATEST REVISION.	MATERIAL 2	FINISH 3	PRODUCT SPEC	APPLICATION SPEC			RESTRICTED TO			
					WEIGHT	SIZE A3		CAGE CODE 00779	DRAWING NO C-165143	SCALE 6:1	SHEET 1 OF 1	REV D1

单击下面可查看定价，库存，交付和生命周期等信息

[>>TE Connectivity\(泰科\)](#)