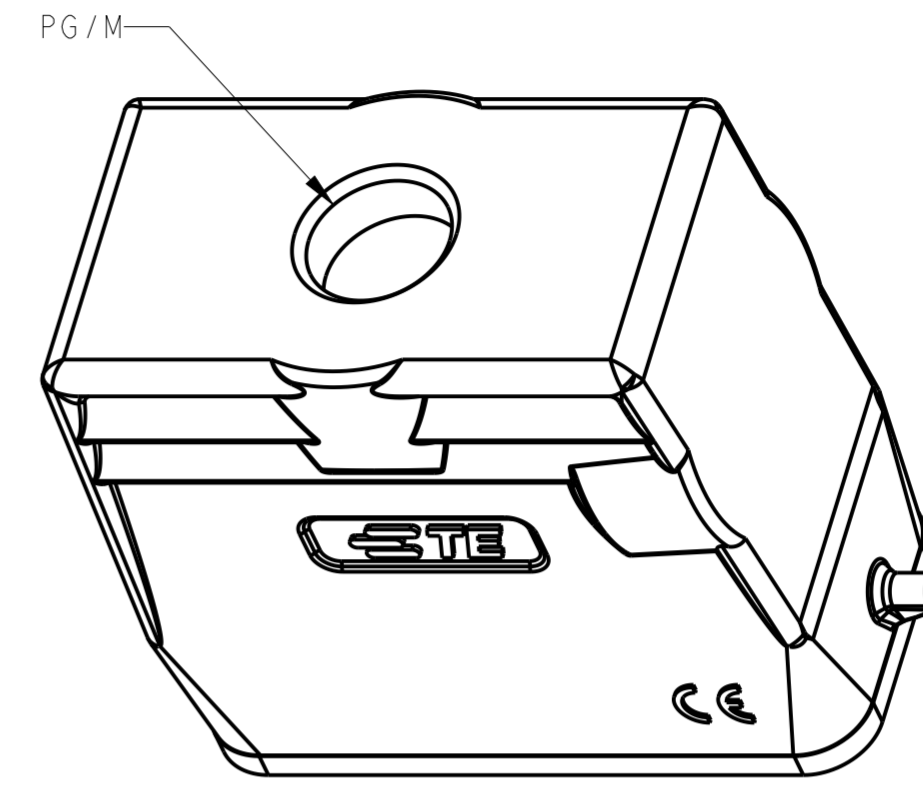
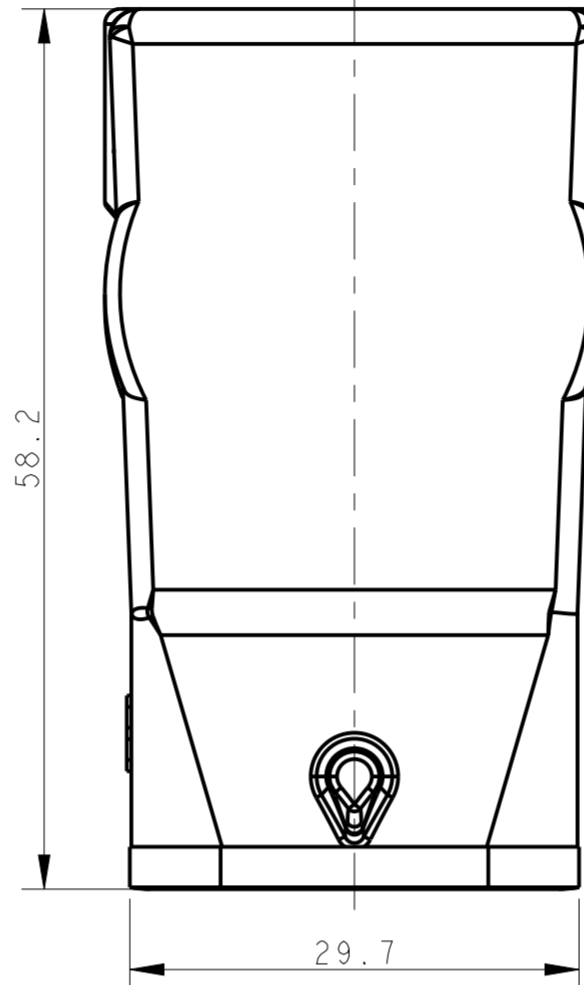
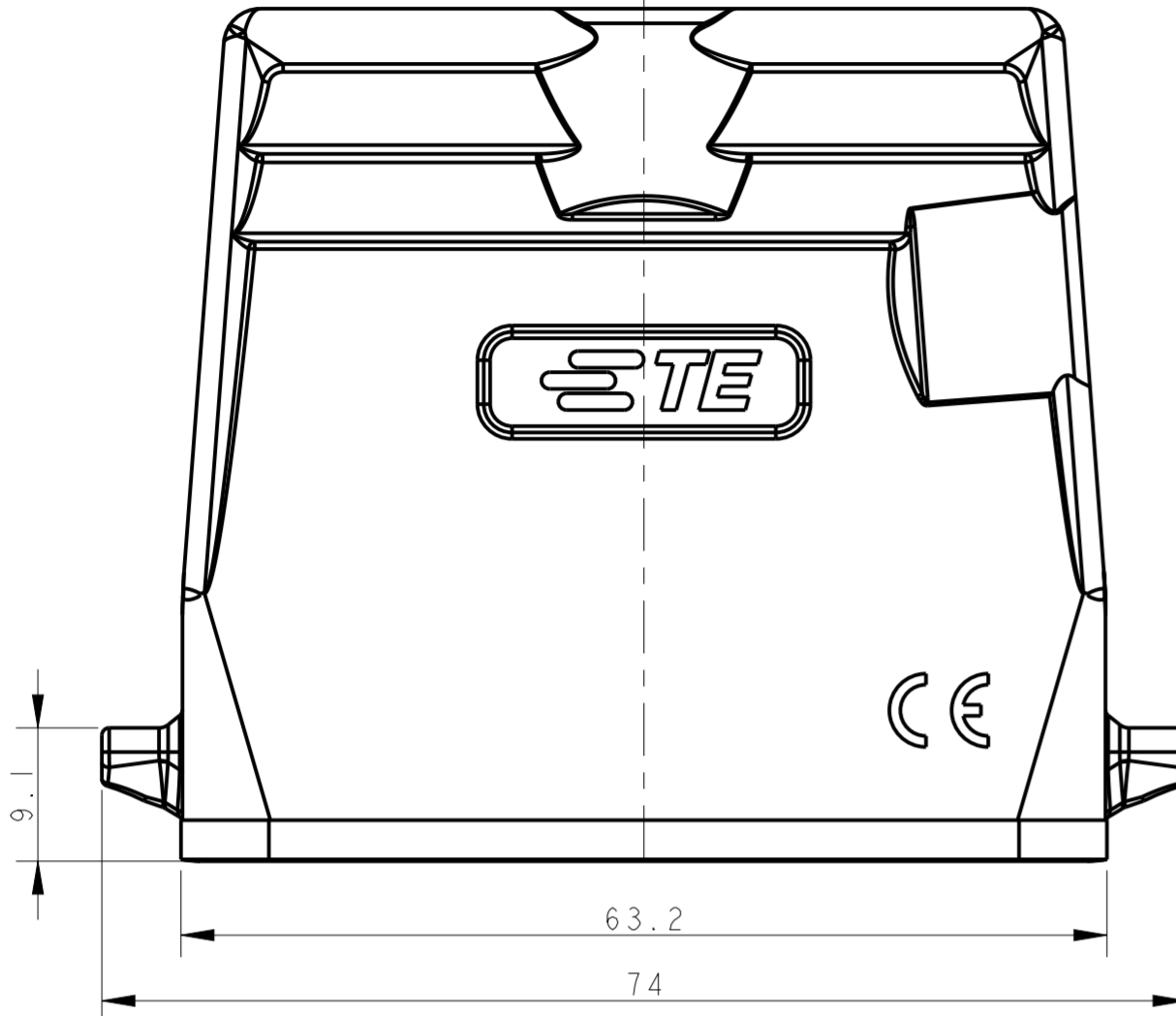


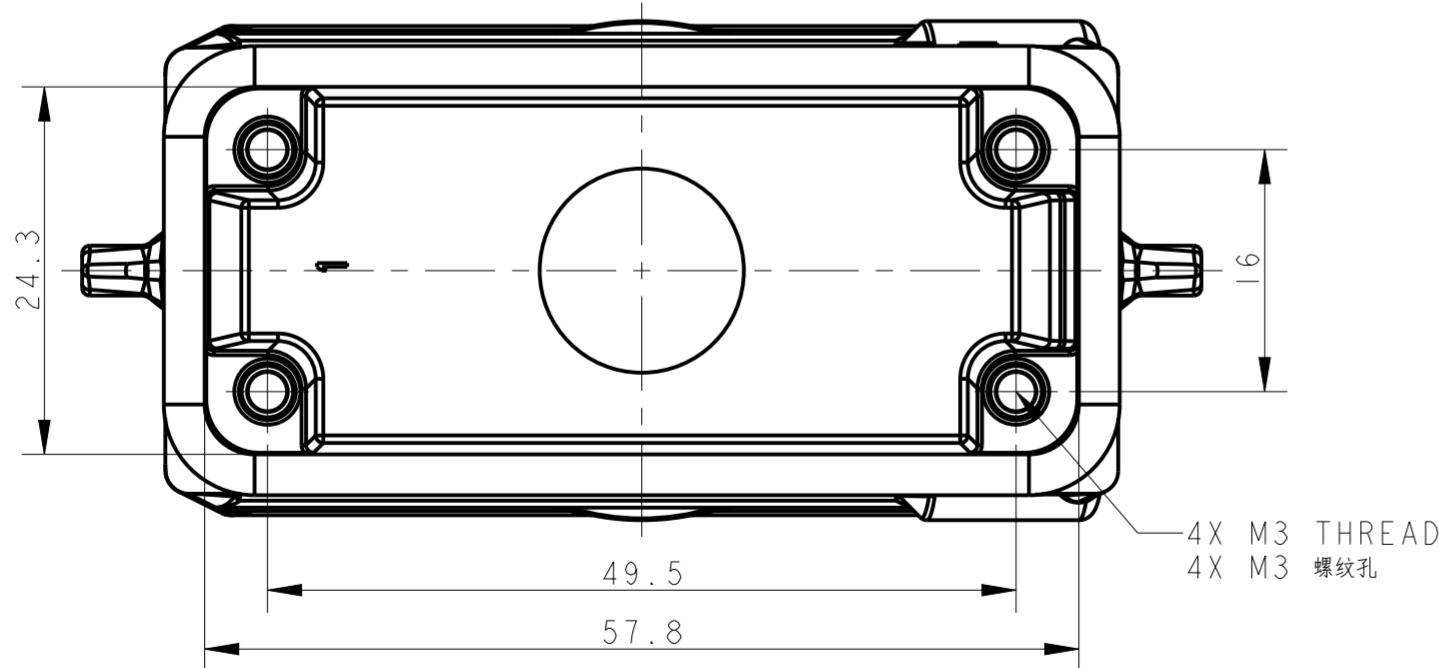
THIS DRAWING IS UNPUBLISHED. RELEASED FOR PUBLICATION 20
 © COPYRIGHT 20 BY - ALL RIGHTS RESERVED.

REVISIONS				
P	LTR	DESCRIPTION	DATE	APVD
A		INITIAL RELEASE	05MAY2015	DL XX
AI		ECR-18-008950	10AUG2018	KW CW
B		C-TI32910X1XXX00	14DEC2020	BS CW



NOTES:
 1. TECHNICAL CHARACTERISTICS:
 BODY MATERIAL: DIE CAST ALUMINIUM ALLOY
 SURFACE TREATMENT: POWDER-COATED, GRAY
 DEGREE OF PROTECTION: IP65 (MATED)

注释:
 1. 技术参数:
 主体材料: 铝合金
 表面处理: 粉末喷涂, 灰色
 防护等级: IP65(配合)



T1329100113-000	H10A-TG-PG13.5	H10A HOOD, TOP ENTRY PG13.5, 2 EAR, POWDER COATED, GREY H10A上壳, 顶出PG13.5, 2耳, 灰色粉末喷涂	PG13.5
T1329100116-000	H10A-TG-PG16	H10A HOOD, TOP ENTRY PG16, 2 EAR, POWDER COATED, GREY H10A上壳, 顶出PG16, 2耳, 灰色粉末喷涂	PG16
T1329100116-100	H10A-TG-M16	H10A HOOD, TOP ENTRY M16, 2 EAR, POWDER COATED, GREY H10A上壳, 顶出M16, 2耳, 灰色粉末喷涂	M16
T1329100120-000	H10A-TG-M20	H10A HOOD, TOP ENTRY M20, 2 EAR, POWDER COATED, GREY H10A上壳, 顶出M20, 2耳, 灰色粉末喷涂	M20
T1329100121-000	H10A-TG-PG21	H10A HOOD, TOP ENTRY PG21, 2 EAR, POWDER COATED, GREY H10A上壳, 顶出PG21, 2耳, 灰色粉末喷涂	PG21
T1329100125-000	H10A-TG-M25	H10A HOOD, TOP ENTRY M25, 2 EAR, POWDER COATED, GREY H10A上壳, 顶出M25, 2耳, 灰色粉末喷涂	M25
T1329107112-000	H10A-TG-NPT1/2	H10A HOOD, TOP ENTRY NPT1/2, 2 EAR, POWDER COATED, GREY H10A上壳, 顶出NPT1/2, 2耳, 灰色粉末喷涂	NPT1/2
PART NUMBER 料号	PART DESCRIPTION 描述		PG/M THREAD PG/M 螺纹

THIS DRAWING IS A CONTROLLED DOCUMENT.

DWN DAVID LI 05MAY2015
 CHK CHRIS WANG 05MAY2015
 APVD XU XIANG 05MAY2015

STE TE Connectivity

NAME H10A-TG-PG/M

PRODUCT SPEC 108-137010
 APPLICATION SPEC 114-137010

SIZE A2 CAGE CODE - DRAWING NO. C-TI32910X1XXX00 RESTRICTED TO

MATERIAL - TOLERANCES UNLESS OTHERWISE SPECIFIED: 0 PLC ±, 1 PLC ±, 2 PLC ±, 3 PLC ±, 4 PLC ±, ANGLES ±, FINISH -

WEIGHT -

CUSTOMER DRAWING SCALE 2:1 SHEET 1 OF 1 REV B

单击下面可查看定价，库存，交付和生命周期等信息

[>>TE Connectivity\(泰科\)](#)