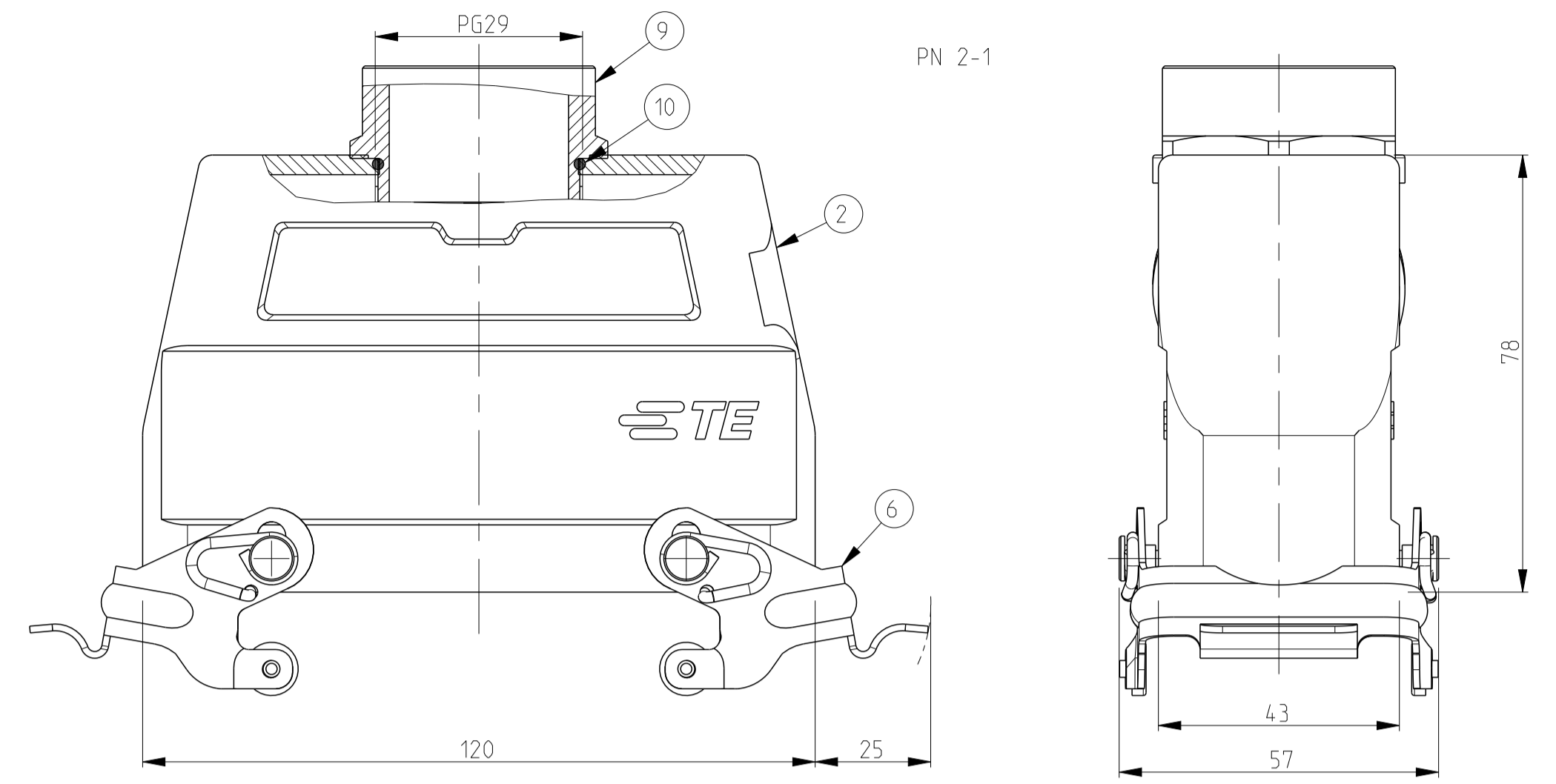
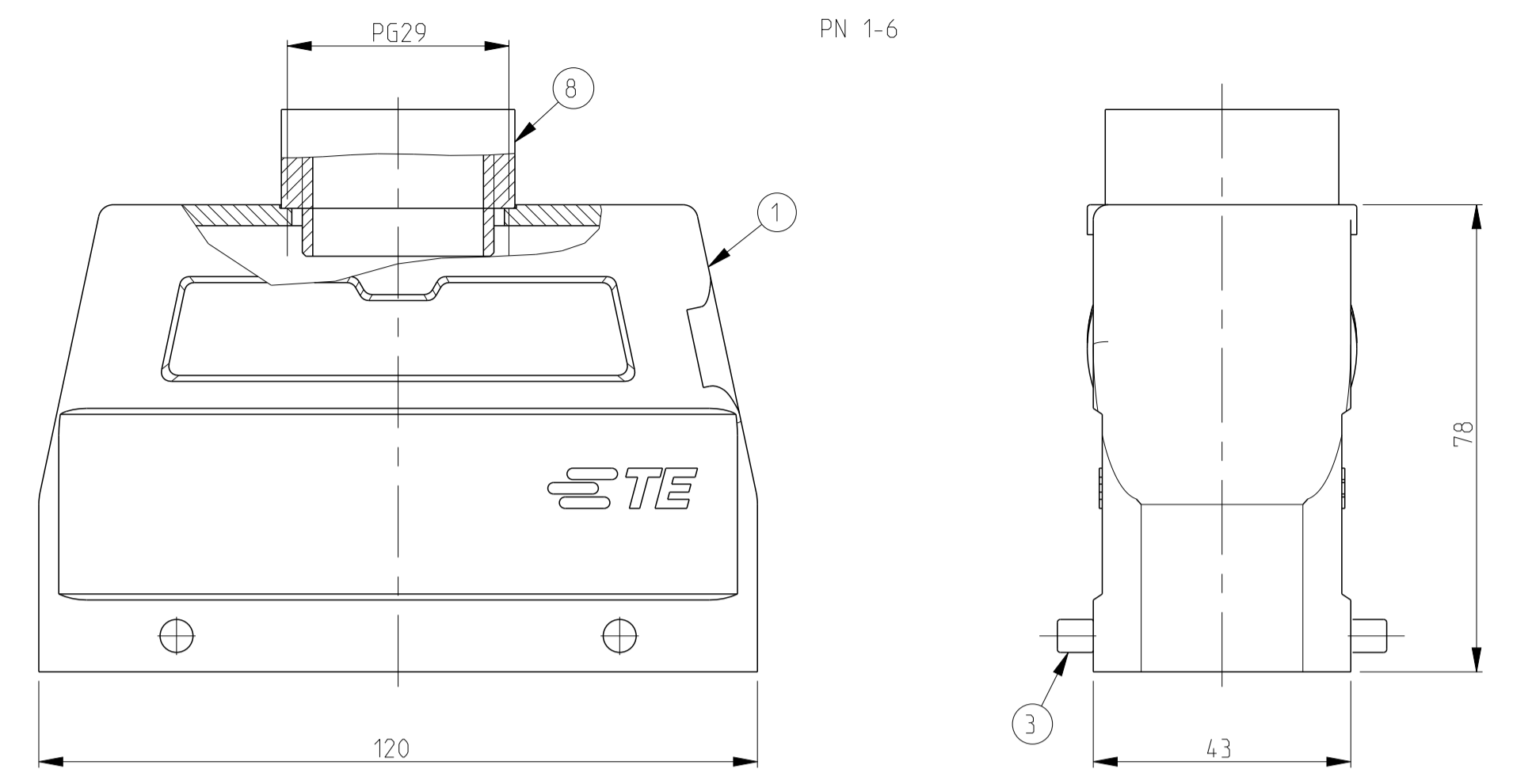
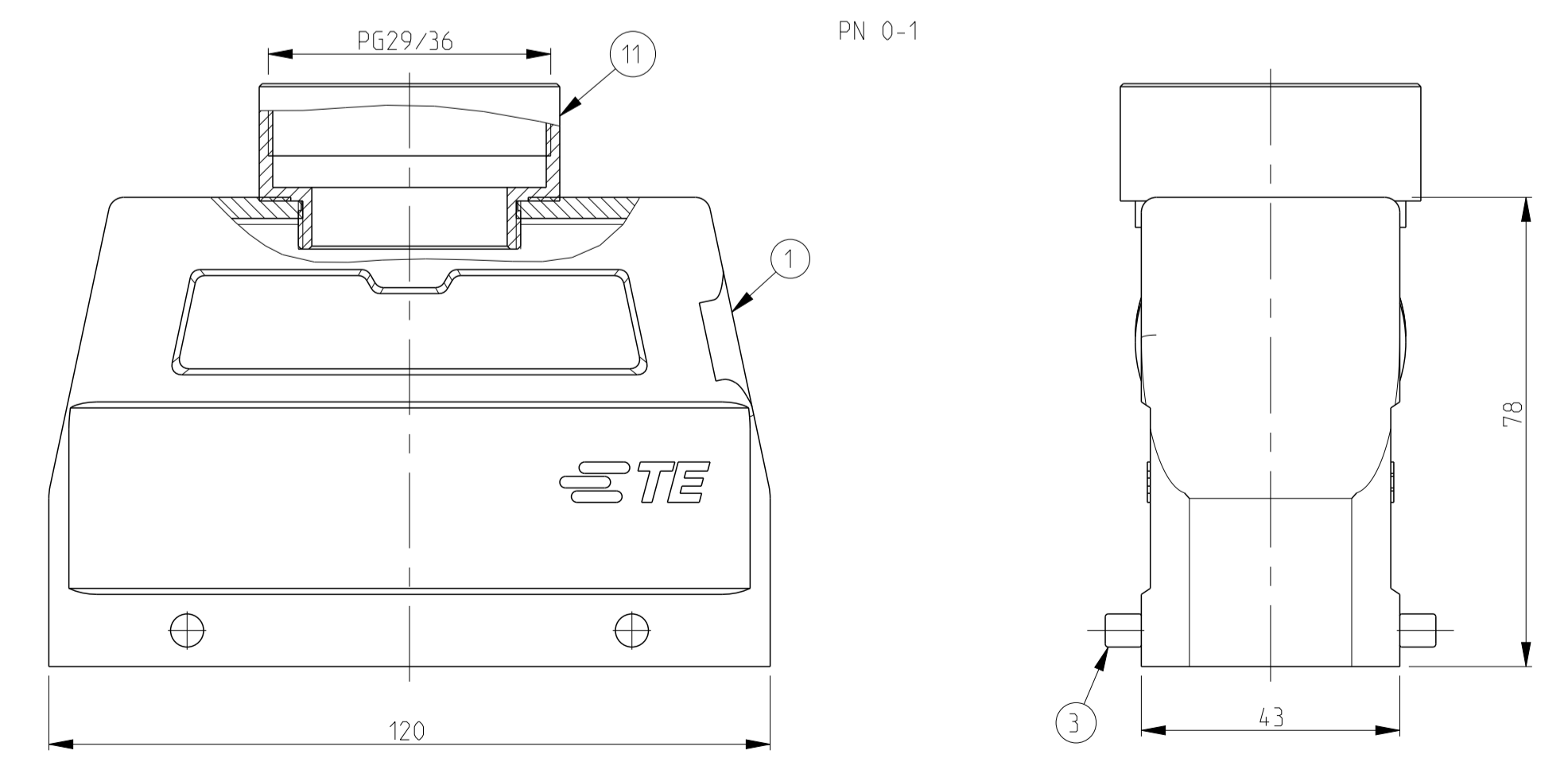
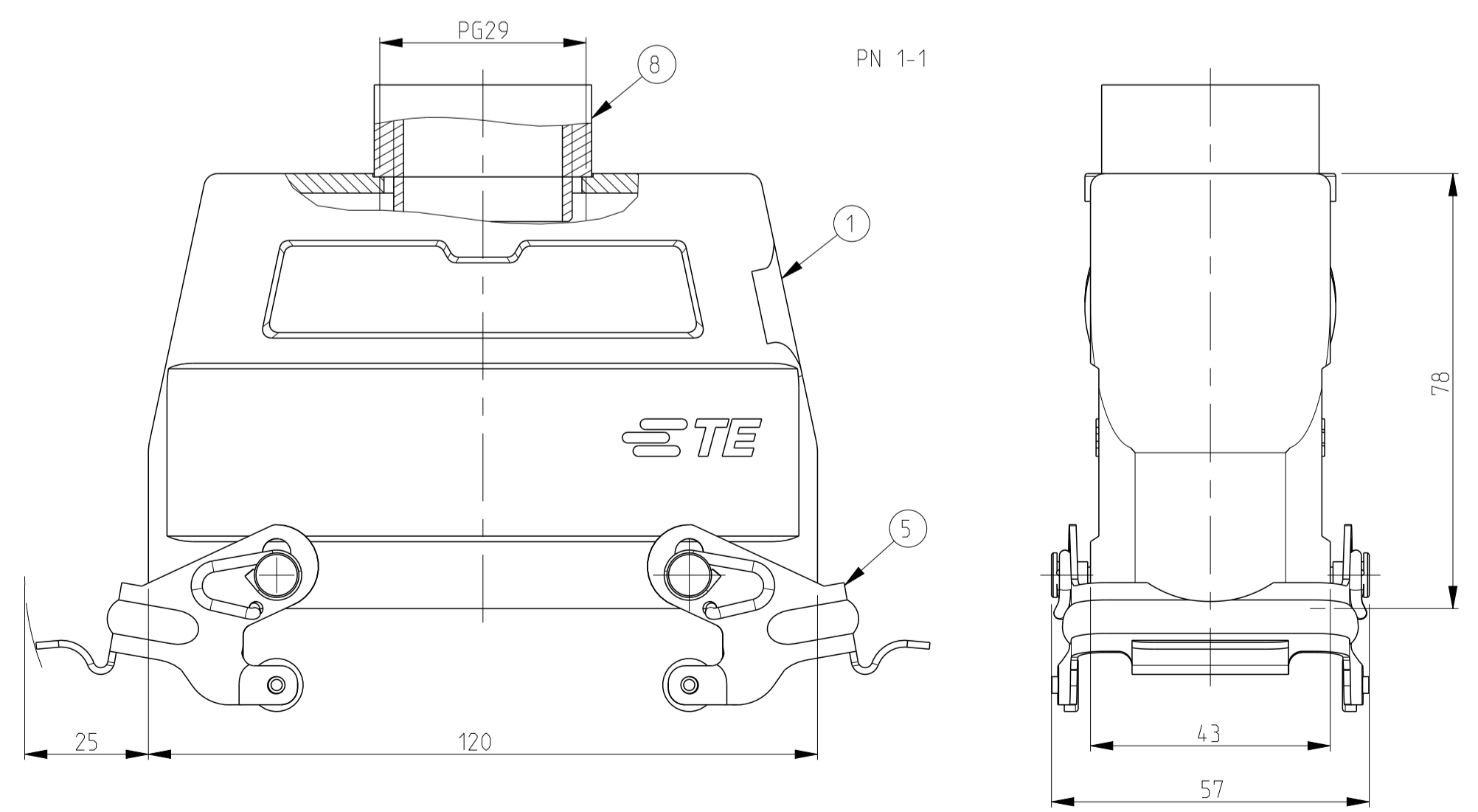
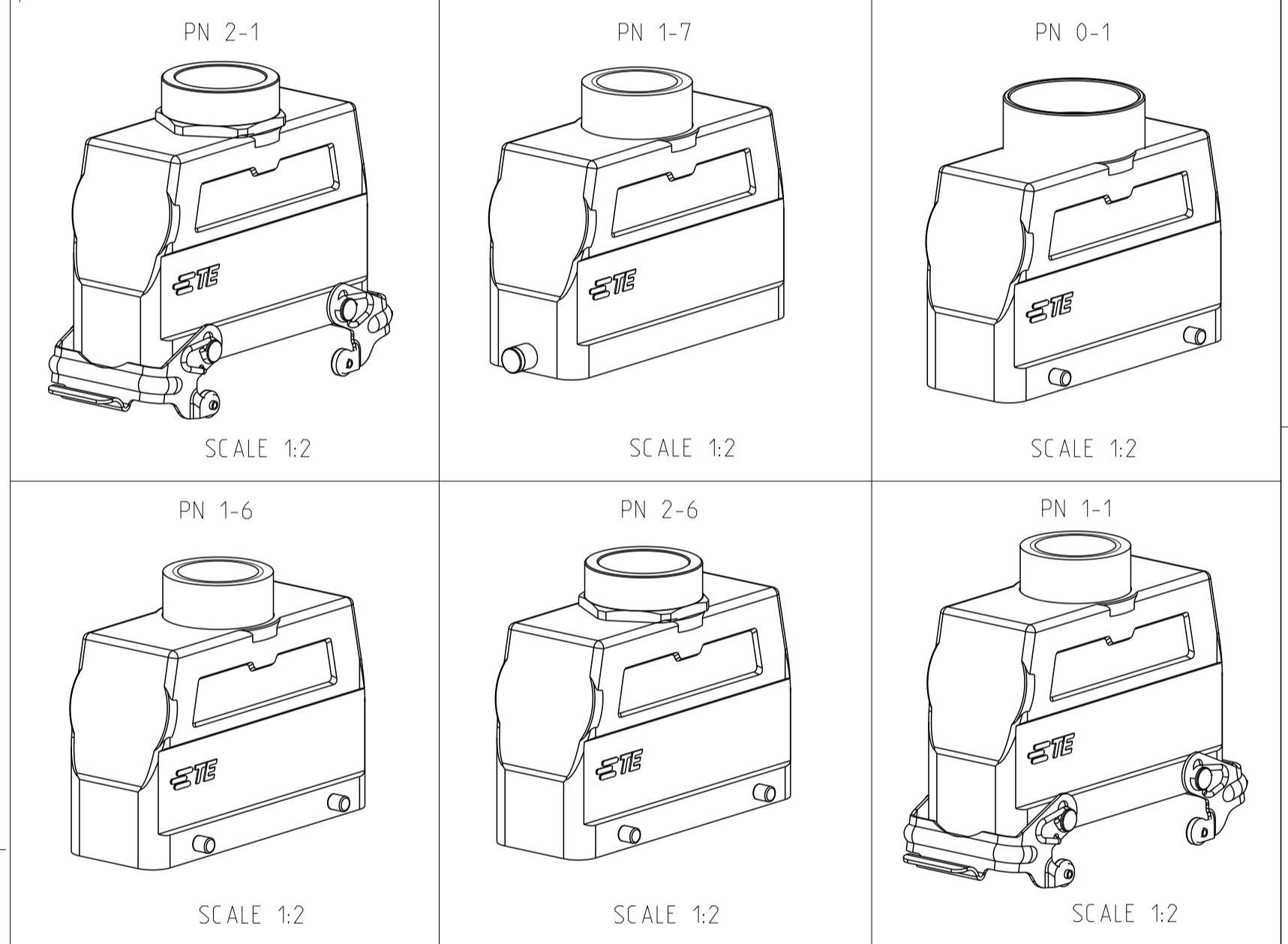
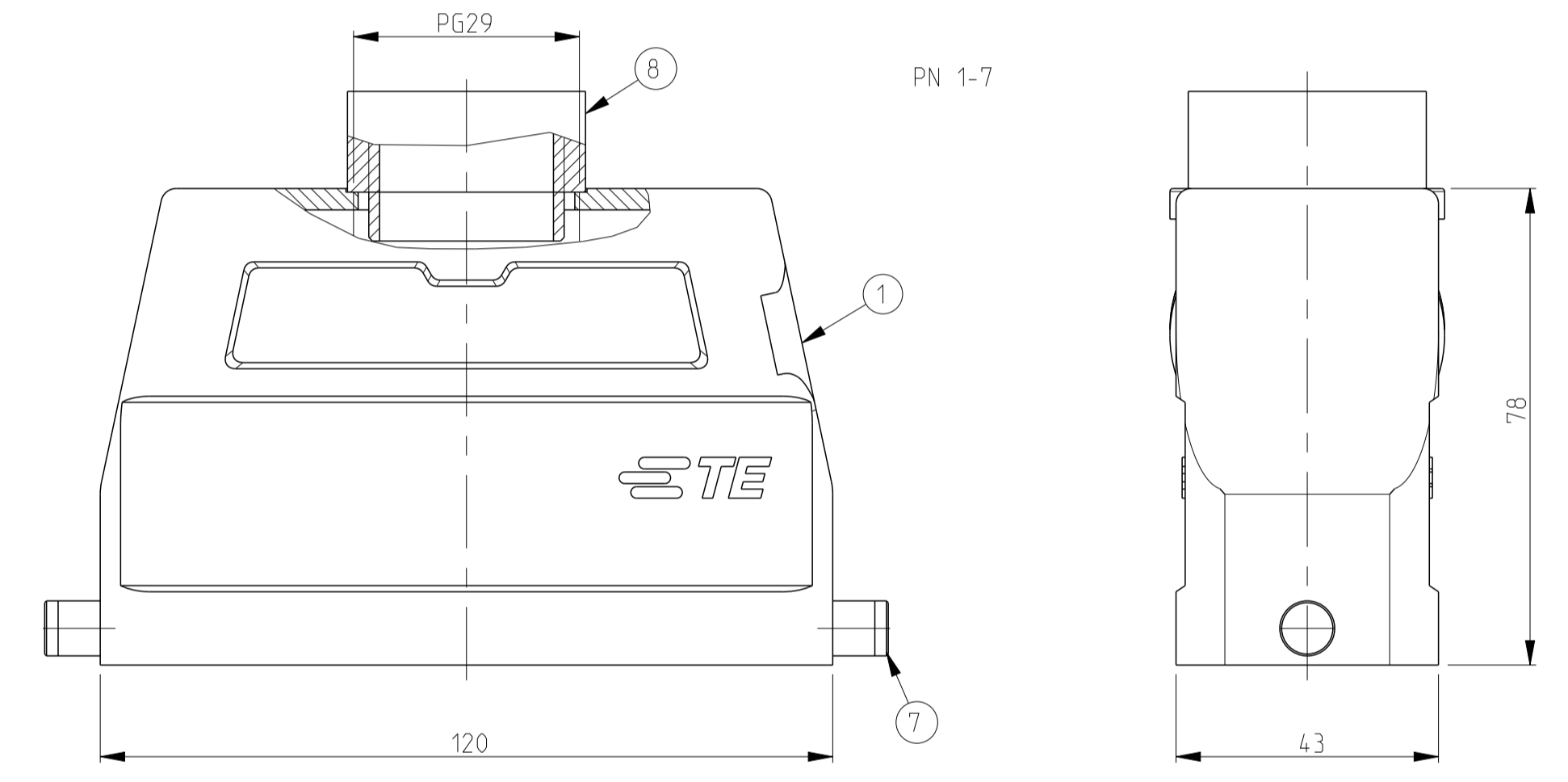
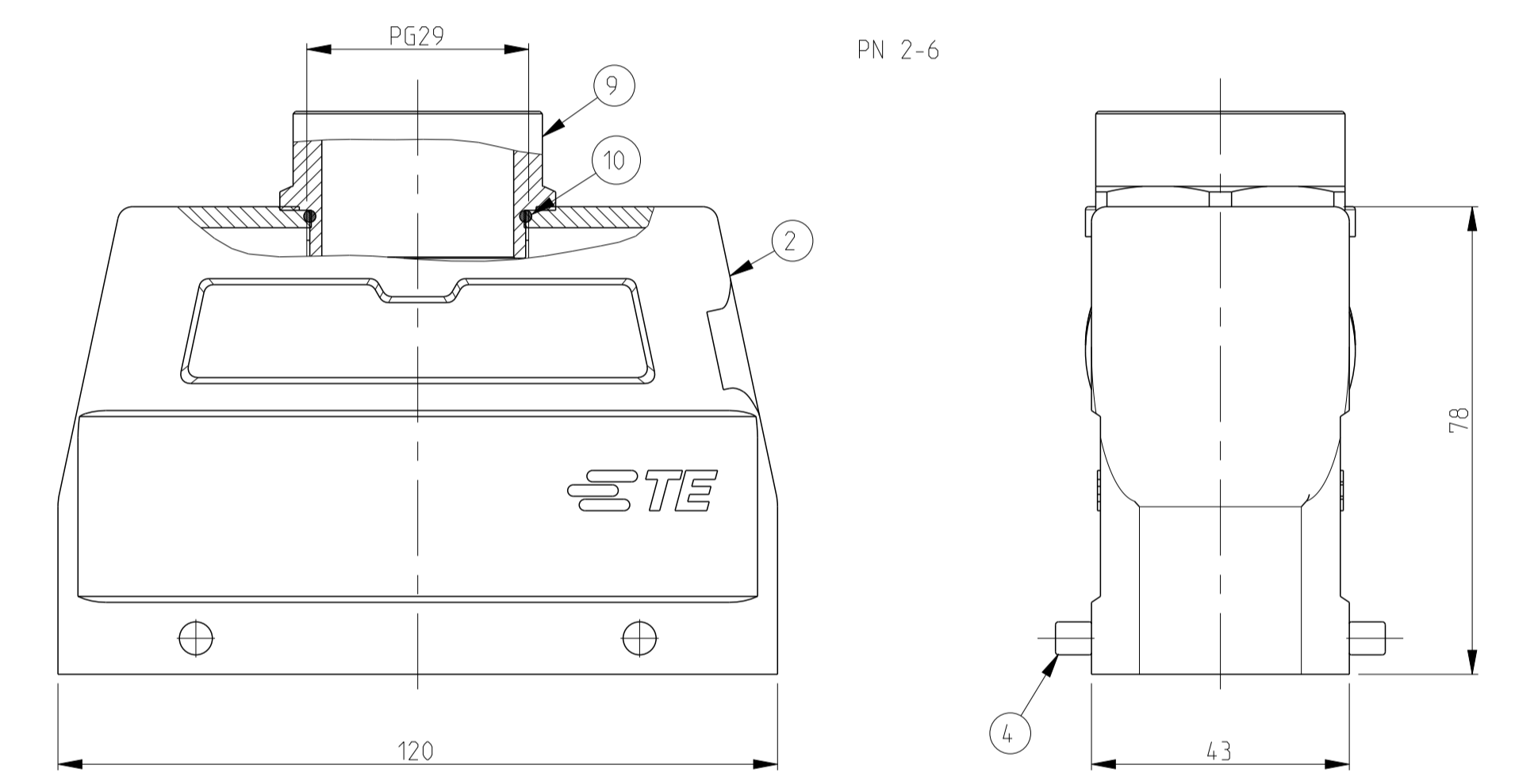


REVISIONS				
P	LTM	DESCRIPTION	DATE	DMN APVD
A6		ECR-17-014.011	27MAR2018	SG MKO



- NOTES.
- Material:Housing:Aluminium Diecasting Alloy
 - Surface:Varnish grey
 - Varnish on the inside not necessary
 - Packaging
Quantity 5 Pieces in a box



NO	QTY	DESCRIPTION	MATERIAL	SURFACE	COLOR	TEM NO	REMARKS
1	1	Extension Pg29/36	Brass	Nickel plated	-	11	
1	1	O ring	Neoprene	-	Black	10	
1	1	6-Kf-adaptor round	Brass	Nickel plated	-	9	
1	1	Cable connection round	Brass	Nickel plated	-	8	
2	2	LB-Side bolt	Steel	Zinc plated	Blue	7	
2	2	VS-Locking clip	Stainless steel	-	-	6	
2	2	VS-Locking clip	Steel	Zinc plated	Blue	5	
4	4	VS-Clip bolt	Stainless steel	-	-	4	
4	4	VS-Clip bolt	Steel	Zinc plated	Blue	3	
1	1	Hood HD.64.Pg.1.29	Aluminium	Aluminium oxide	Black	2	
1	1	Hood HD.64.Pg.1.29	Aluminium	-	Grey	1	
0-11-7-2-11-12-6-1-6		DESCRIPTION	MATERIAL	SURFACE	COLOR	TEM NO	REMARKS
ORDERING TEXT							
HD.64.Sto.1.29.Z							
HD-K.64.Sto.1.29.Z							
HD.64.Sto-VS.1.29.Z							
HD-K.64.Sto-VS.1.29.Z							
HD.64.Sto-GR.1.29.Z							
HD.64.Sto.1.29.ERW.29.736							

THIS DRAWING IS A CONTROLLED DOCUMENT. DMN 09.12.1998
 CHK 09.12.1998
 SCHWEIGER

DIMENSIONS: mm

TOLERANCES UNLESS OTHERWISE SPECIFIED:

0	PLC	±
1	PLC	±
3	PLC	±
4	PLC	±
ANGLES		±
FINISH		±

MATERIAL: - FINISH: -

NAME: Hood HD.64.Sto.1.29.Z

PRODUCT SPEC: - APPLICATION SPEC: -

SIZE: A1 CAGE CODE: 00779 DRAWING NO: 1103343

WEIGHT: - CUSTOMER DRAWING

SCALE: 5:1 SHEET: 1 OF 1 REV: A6

单击下面可查看定价，库存，交付和生命周期等信息

[>>TE Connectivity\(泰科\)](#)