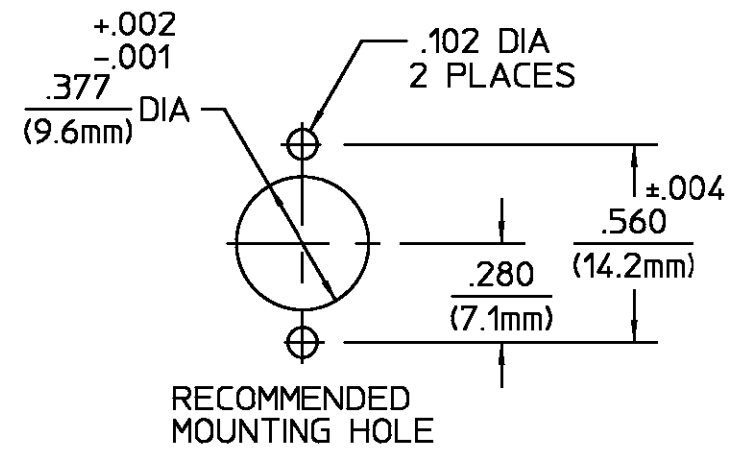


REVISIONS			
REV	DESCRIPTION	DATE	APPROVED
01 ₁	RELEASED	9/12/94	<i>M.M.</i>



ELECTRICAL	MECHANICAL	ENVIRONMENTAL
Nominal Impedance (Ohms) <u>50</u>	Interface Dimensions <u>OSM MIL-STD-348A, Fig 310.2</u>	Temperature Rating <u>-65°C to +165°C</u>
Frequency Range (GHz) DC to <u>18</u>	<u>OSP SEE CATALOG</u>	Vibration MIL-STD-202, Method 204, Condition D.
Volt Rating (VRMS MAX) @ Sea Level <u>335</u>	Mating Characteristics (OSP & OSM):	Shock MIL-STD-202, Method 213, Condition I.
VSWR <u>1.05 + .005 F(GHz)</u>	Insertion (MAX Lbs) <u>3</u>	Thermal Shock MIL-STD-202, Method 107, Condition C.
Insertion Loss (dB MAX) <u>.06 √F(GHz)</u>	Withdrawal (MIN Oz) <u>1</u>	Moisture Resistance MIL-STD-202, Method 106
RF Leakage (dB MIN) <u>-60 @ 2-3 GHz</u>	Force to Engage:	Corrosion - MIL-STD-202, Method 101, Condition B, 5% salt spray
Corona, 70,000 Ft (VRMS MIN) <u>250</u>	OSM (In-Lbs MAX) <u>2.0</u>	
Dielectric Withstanding Voltage (VRMS MIN) @ Sea Level <u>1000</u>	OSP (Lbs MAX) <u>3.0</u>	
Contact Resistance (Milliohms MAX)	Force to Disengage:	
Center Contact <u>4.0</u>	OSM (In-Lbs MAX) <u>2.0</u>	
Outer Contact <u>2.0</u>	OSP (Lbs MAX) <u>1.5</u>	
RF High Potential @ Sea Level (VRMS MIN @ 5 MHz) <u>670</u>	Contact Retention	
I.R.(Megohms MIN) <u>5000</u>	Axial (Lbs) <u>6.0</u>	
	Radial (In-Oz) <u>N/A</u>	
	Weight (Grams) <u>TBD</u>	

COMPONENT	MATERIAL	FINISH
HOUSING BUSHING	STAINLESS STEEL PER ASTM-A484 AND ASTM-A582, TYPE 303	PASSIVATE PER QQ-P-35
SPRING	STAINLESS STEEL	PASSIVATED
DIELECTRIC	TFE FLUOROCARBON PER ASTM-D-1457	N/A
CENTER CONTACT CONTACT SLEEVE	BERYLLIUM COPPER PER ASTM B 196, ALLOY C17300, CONDITION H	GOLD PLATE PER MIL-G-45204
CONTACT RING	BERYLLIUM COPPER PER ASTM B 194, ALLOY C17200, CONDITION H	GOLD PLATE PER MIL-G-45204
RETAINING RING	BERYLLIUM COPPER PER ASTM B 194, ALLOY C17200, CONDITION H	GOLD PLATE PER MIL-G-45204

UNLESS OTHERWISE SPECIFIED DIMENSIONS ARE IN INCHES TOLERANCE ON	DRAWN BY <i>PCW</i>	DATE <u>9/14/93</u>	AMP Incorporated 140 Fourth Avenue Waltham, MA 02451-7599	
	FRAC. DEC. ANGLES ± 1/64 ±.005 ± °	CHECKED BY		
These drawings and specifications are the property of Omni Spectra Incorporated and shall not be reproduced or copied or used in whole or in part as the basis for the manufacture or sale of item(s) without written permission.	USE ASS'Y PROCEDURE		TITLE <u>OSP JACK TO OSM JACK FLOAT PANEL FEEDTHROUGH FLANGE MOUNT ADAPTER</u>	
	NO. AP. <u>N/A</u>		SIZE <u>B</u>	CODE IDENT NO. <u>26805</u>
			SCALE <u>2:1</u>	REV <u>01₁</u>
			SHEET 1 OF 1	

CUSTOMER DRAWING

AMP PART # 1059750-1
SHEET 1 OF 1 REV A

单击下面可查看定价，库存，交付和生命周期等信息

[>>TE Connectivity\(泰科\)](#)