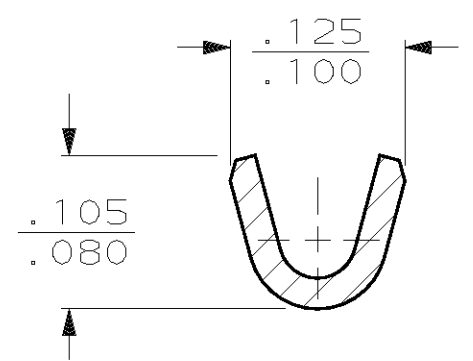
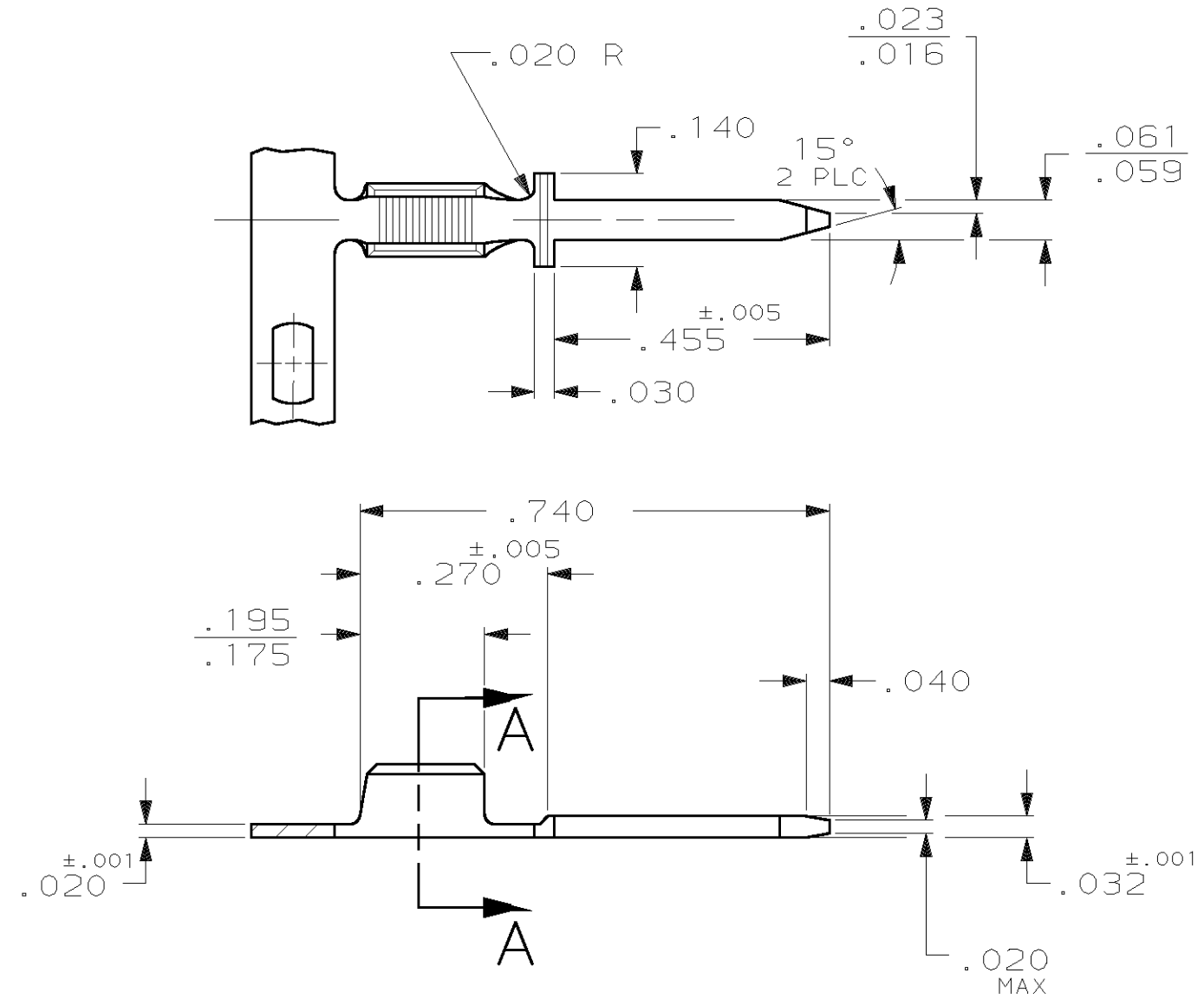


THIS DRAWING IS UNPUBLISHED. RELEASED FOR PUBLICATION .19
 © COPYRIGHT 19 BY AMP INCORPORATED, HARRISBURG, PA. ALL INTERNATIONAL RIGHTS RESERVED. AMP PRODUCTS MAY BE COVERED BY U.S. AND FOREIGN PATENTS AND/OR PATENTS PENDING.

LOC	DIST	P	F	ZONE	LTR	DESCRIPTION	DATE	APPROVED
AF	50				H	ADDED -2 PER 0L10-0466-97	11/19/97	

1 - CONTINUOUS STRIP ON REELS.
 2 - REVERSE REELING OF 63497-1.



SECTION A-A
SCALE 8:1

2	23-19 MAGNET	63497-2
	23-19 MAGNET	63497-1

WIRE BARREL PART NO

UNLESS OTHERWISE SPECIFIED DIMENSIONS ARE IN INCHES TOLERANCES ON: 2 PL DEC ± _____ 3 PL DEC ± .010 ANGLES ± _____		DR 5/27/88 JR RUTH		AMP INCORPORATED Harrisburg, Pa. 17105	
#2H PREMILLED BRASS		CHK 5/27/88 MS FEHER			
FINISH TIN .000080 MIN		APPD 5/27/88 C MEYERS		NAME TAB, AMPLIVAR	
		APPD 5/27/88 R KUZO		SIZE B	
		PRODUCT SPEC		FSCM NO 00779	
		APPLICATION SPEC		DRAWING NO 63497	
		WEIGHT _____		SCALE 4:1	
				SHEET 1 OF 1	

单击下面可查看定价，库存，交付和生命周期等信息

[>>TE Connectivity\(泰科\)](#)