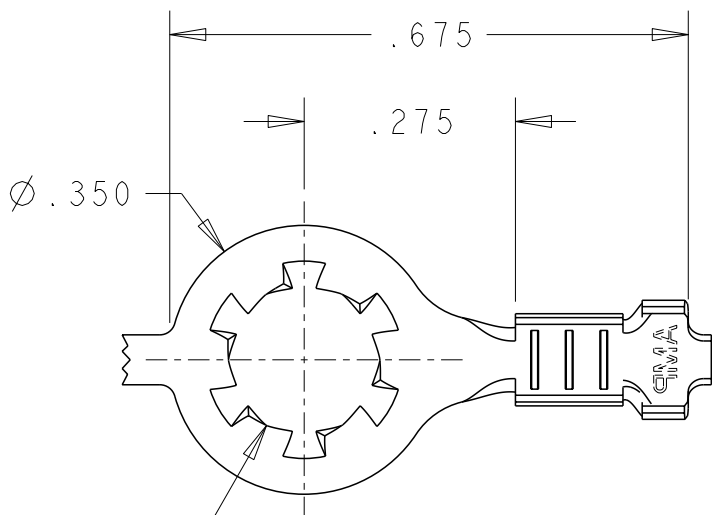
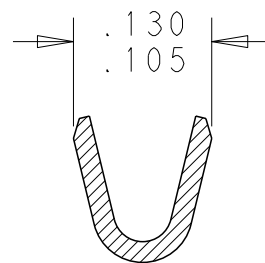


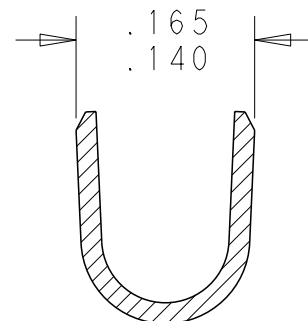
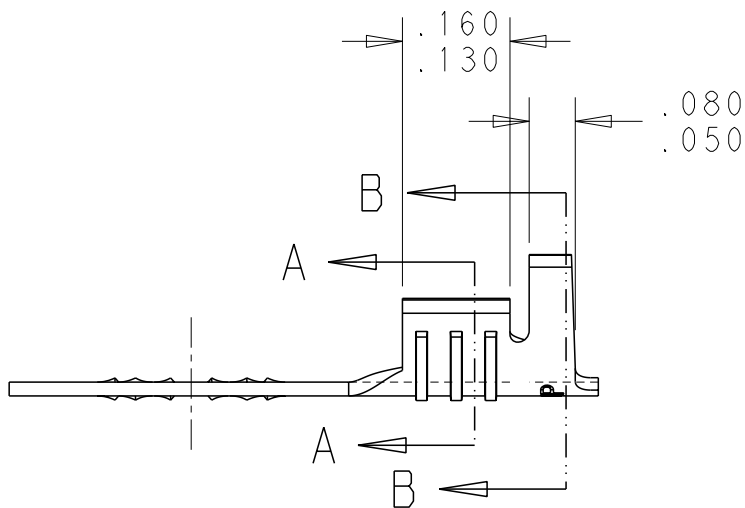
REVISIONS					
P	LTR	DESCRIPTION	DATE	DWN	APVD
	B1	REDRAWN PER ECR-18-018366	22NOV2018	BW	GG



STUD HOLE Ø .197^{.204}/_{.195}
(TO SUIT 2BA STUD)




SECTION A-A
SCALE 6:1

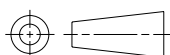


SECTION B-B
SCALE 6:1

WIRE RANGE	20-16 AWG
INSULATION	.100-.120 DIA

NICKEL PLATE	STEEL	151382-3
TIN PLATE	STEEL	151382-2
NONE	STEEL	151382-1
FINISH	MATERIAL	PART NO.

DIMENSIONS: INCHES	DWN BASVESH WARAD	22NOV2018	MATERIAL .018 THICK, SEE TABLE	FINISH SEE TABLE						
	CHK GUNASEKHAR G	22NOV2018								
TOLERANCES UNLESS OTHERWISE SPECIFIED:	APVD DING, TIM	22NOV2018			NAME SHAKE-PROOF RING-TONGUE					
	0 PLC ±-	PRODUCT SPEC	-	SIZE	CAGE CODE	DRAWING NO	RESTRICTED TO			
1 PLC ±-	APPLICATION SPEC	-	A 4	00779	G-151382	-				
2 PLC ±-	WEIGHT	-	CUSTOMER DRAWING		SCALE	4:1	SHEET	1 OF 1	REV	B1
3 PLC ±-										
4 PLC ±-										
ANGLES ±-										



2018

RELEASED FOR PUBLICATION

ALL RIGHTS RESERVED.

BY - TE CONNECTIVITY

© COPYRIGHT 2018

THIS DRAWING IS UNPUBLISHED.

单击下面可查看定价，库存，交付和生命周期等信息

[>>TE Connectivity\(泰科\)](#)