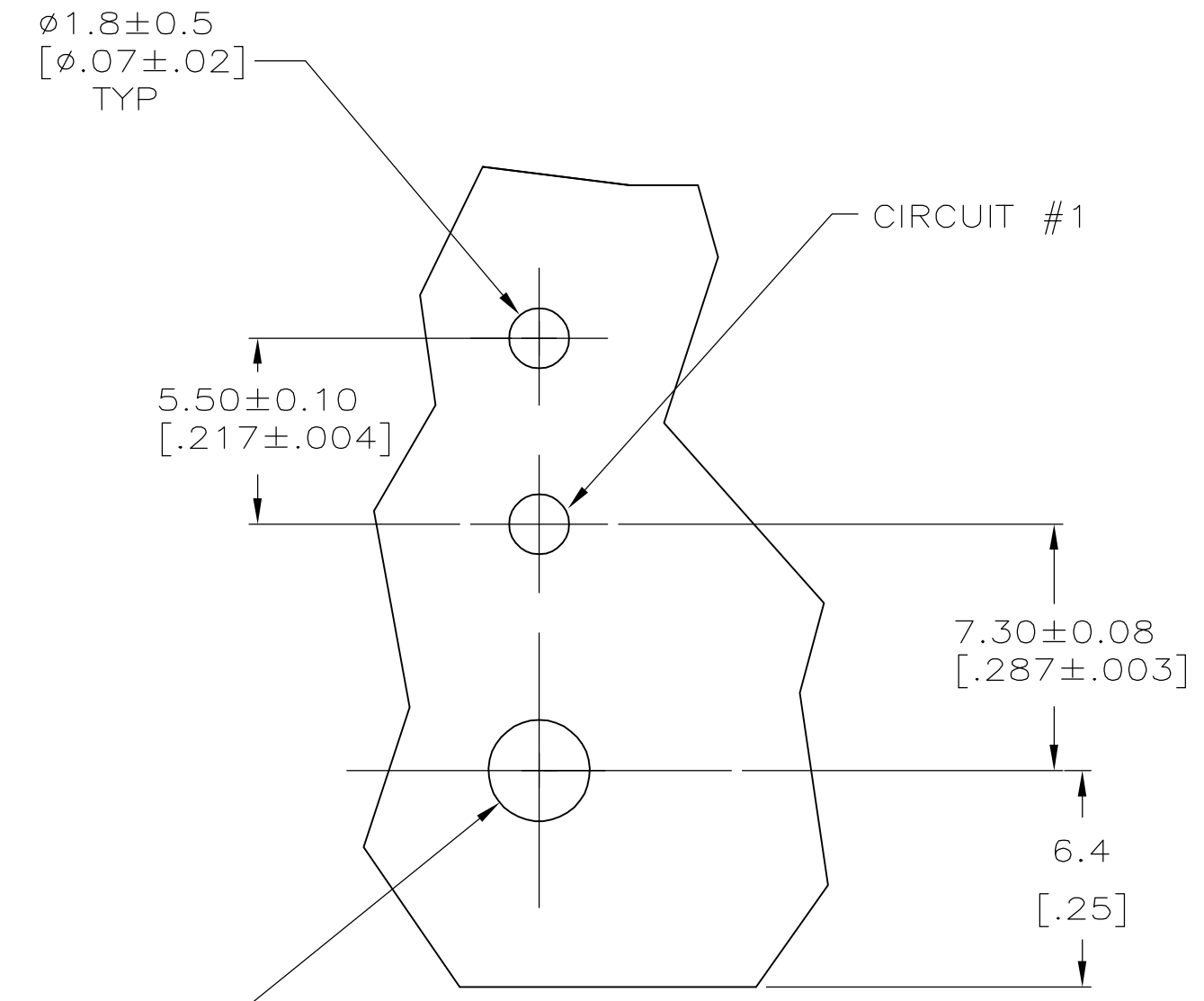
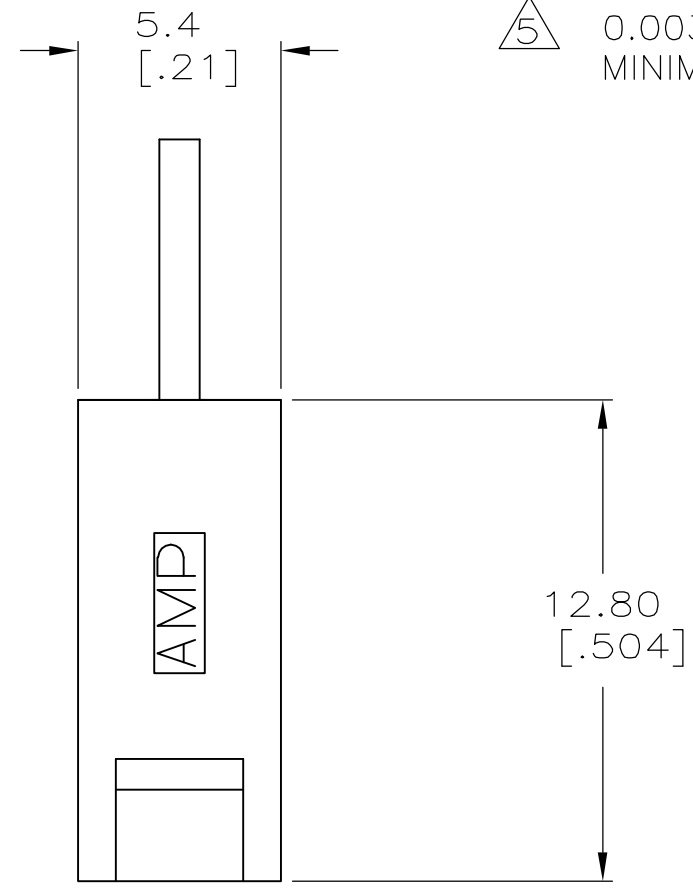


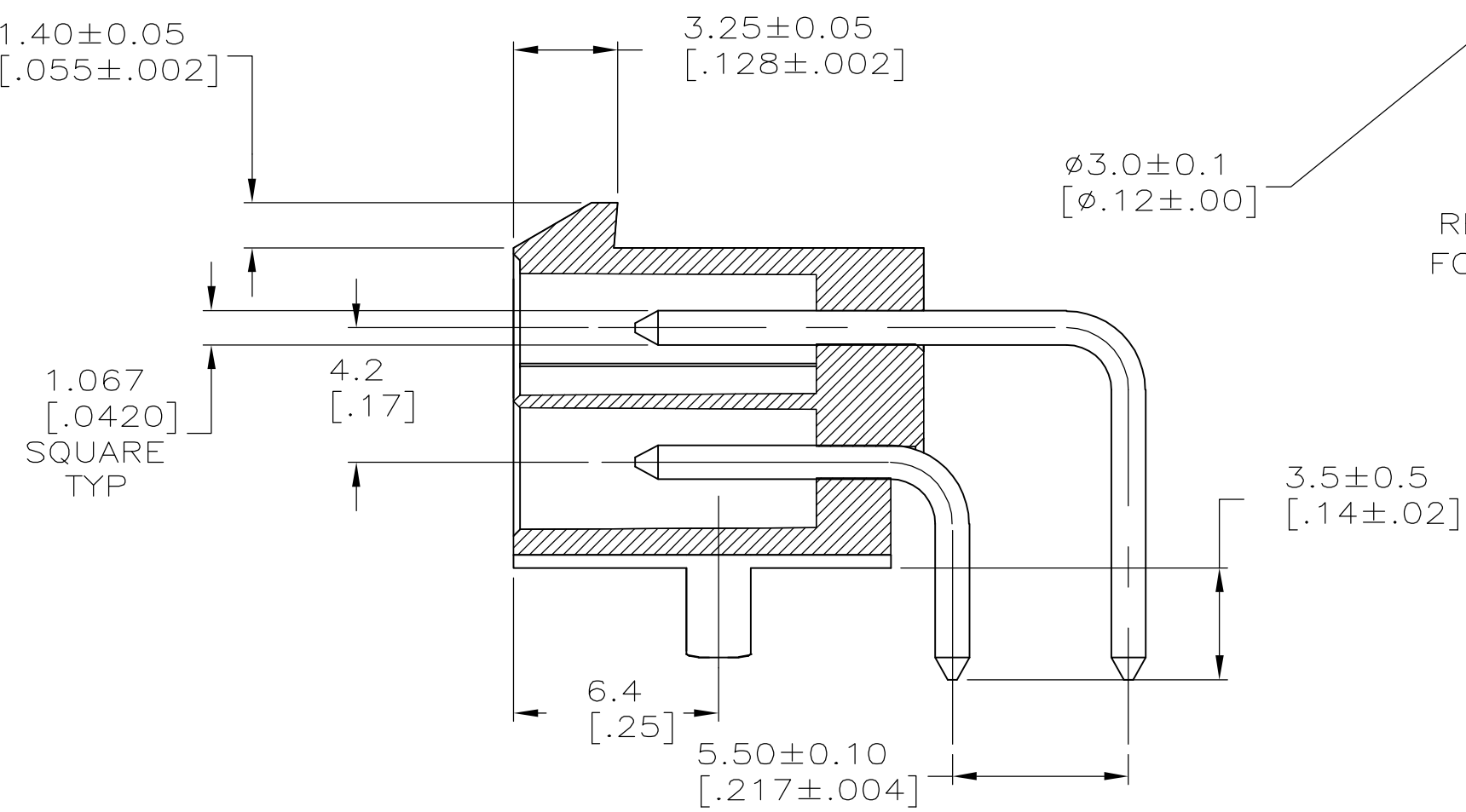
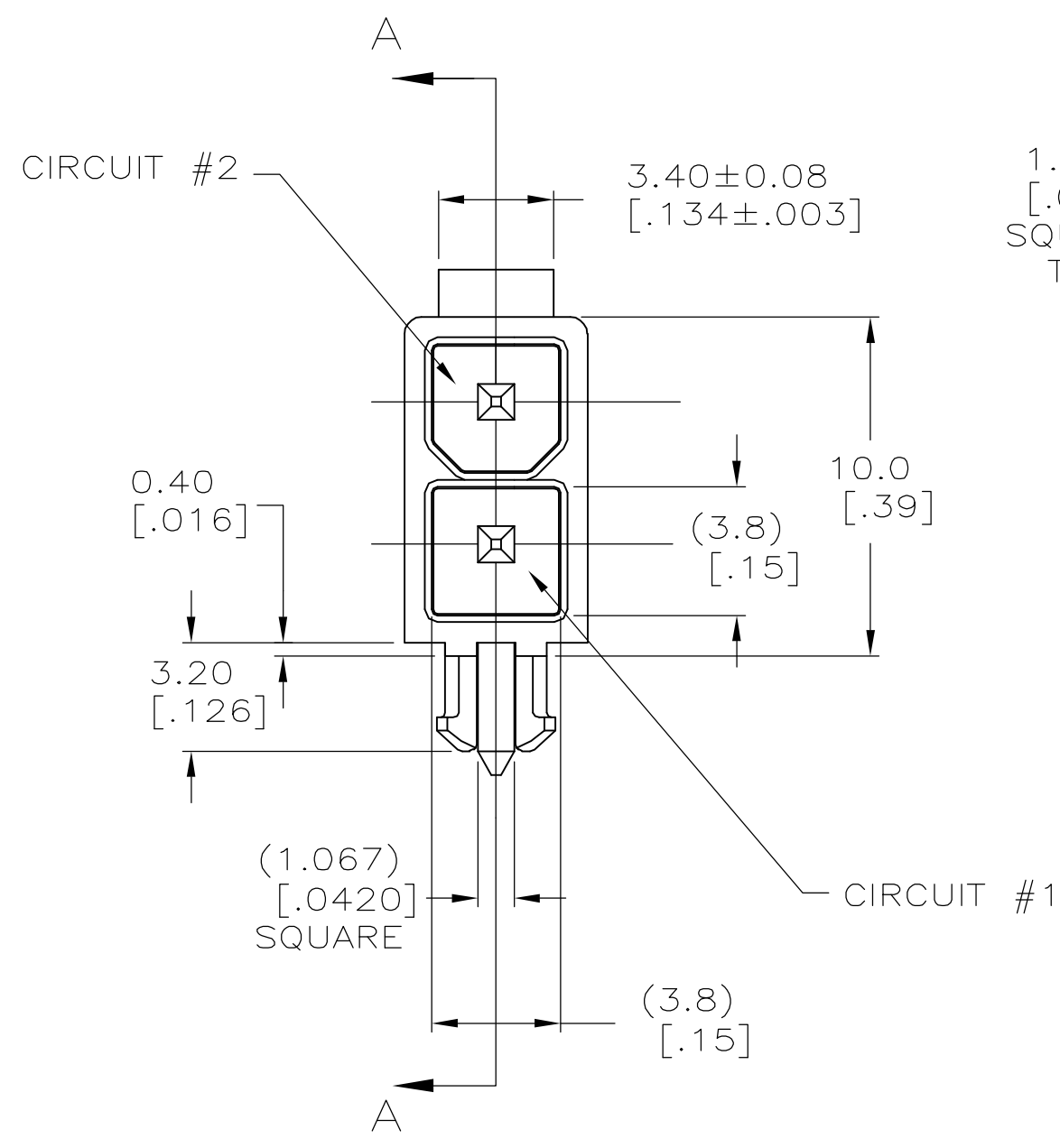
THIS DRAWING IS UNPUBLISHED. RELEASED FOR PUBLICATION
 © COPYRIGHT BY TYCO ELECTRONICS CORPORATION. ALL RIGHTS RESERVED.

LOC		DIST		REVISIONS			
P	LTR	DESCRIPTION		DATE	DWN	APVD	
CM	00	E		REVISED PER ECO-06-014735	10NOV06	KW	DC

- 1 MATERIAL: HOUSING - NYLON, UL94V-2 (COLOR-NATURAL).
PIN - 1.067mm² [.0017in²] COPPER ALLOY.
- 2 PINS TO COMPLY WITH SOLDERABILITY SPEC 109-11-3.
- 3 0.00381 [.000150] MINIMUM TIN LEAD OVER 0.00127 [.000050] MINIMUM NICKEL, ENTIRE LENGTH OF PIN.
- 4 NOTE DELETED.
- 5 0.00381 [.000150] MINIMUM TIN OVER 0.00127 [.000050] MINIMUM NICKEL, ENTIRE LENGTH OF PIN.



RECOMMENDED MOUNTING HOLE PATTERN FOR 1.78 [.070] MAX THICK P.C. BOARD COMPONENT SIDE SHOWN



SECTION A-A

SUPERSEDED BY 1-794507-1

1	5	1	1	1-794507-1
1	3	1	1	794507-1
MATERIAL		FINISH		ASSEMBLY
PIN		HOUSING		

METRIC

THIS DRAWING IS A CONTROLLED DOCUMENT.

DIMENSIONS: mm [INCHES]	TOLERANCES UNLESS OTHERWISE SPECIFIED:	DWN S. HOOVER 02-MAR-2005	Tyco Electronics Corporation Harrisburg, Pa 17105-3608
0 PLC ±	± 0.2 [.01]	CHK D. COLEY 02-MAR-2005	
1 PLC ±	± 0.13 [.005]	APVD D. COLEY 02-MAR-2005	NAME
2 PLC ±	± 0.30	PRODUCT SPEC	ASSEMBLY, HEADER, RIGHT ANGLE, 2 POSITION, W/PEGS, 94V-2, AMP-DUAC (TM) POWER CONNECTOR
3 PLC ±	± 0.30	APPLICATION SPEC	SIZE CAGE CODE DRAWING NO
4 PLC ±	± 0.30	FINISH	RESTRICTED TO
ANGLES ± 0° 30'		WEIGHT	A2 00779 C=794507
MATERIAL SEE CHART	FINISH SEE CHART	CUSTOMER DRAWING	SCALE 5:1 SHEET 1 OF 1 REV E

单击下面可查看定价，库存，交付和生命周期等信息

[>>TE Connectivity\(泰科\)](#)