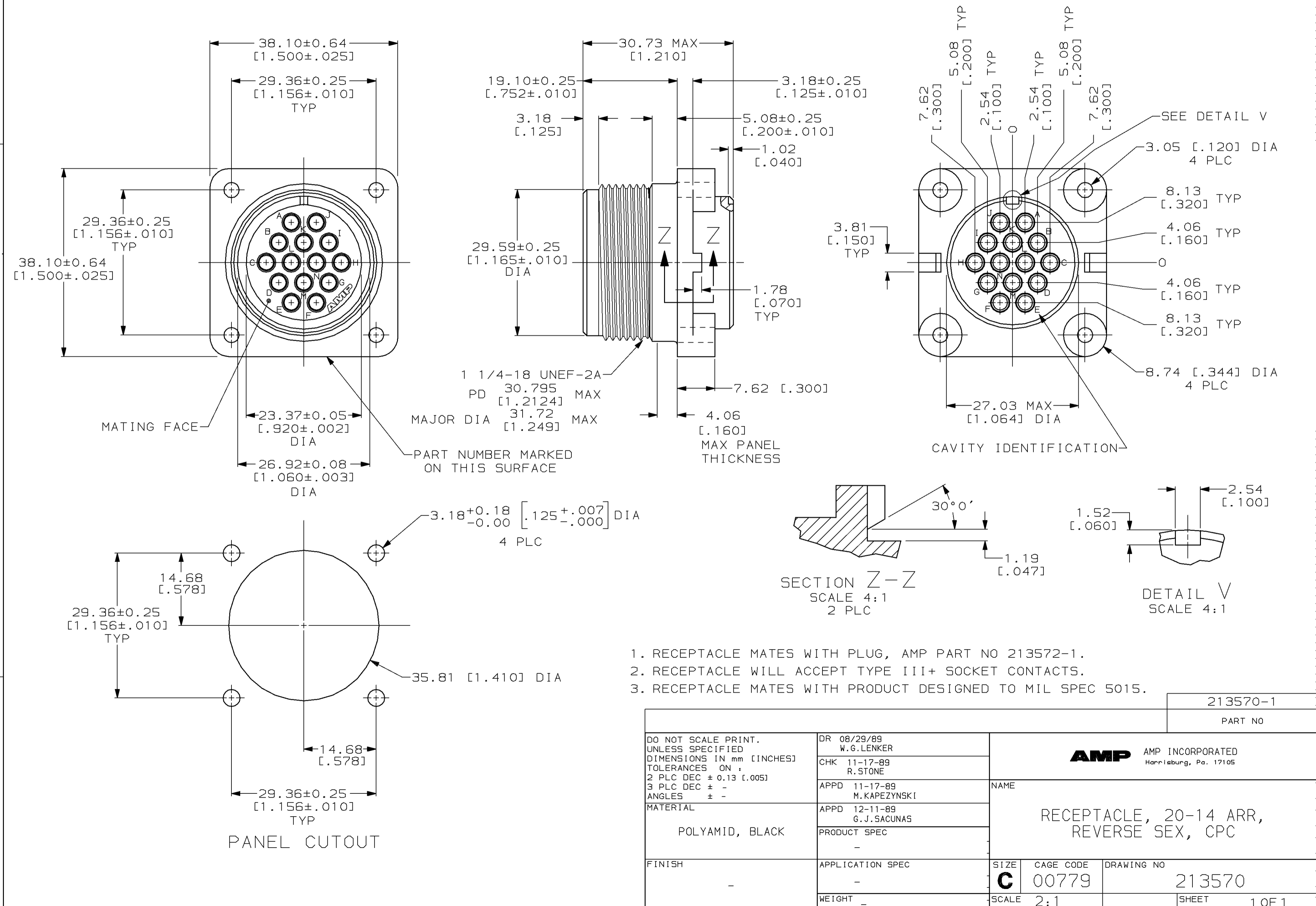


THIS DRAWING IS UNPUBLISHED. RELEASED FOR PUBLICATION, 19 .
 © COPYRIGHT 19 BY AMP INCORPORATED. ALL INTERNATIONAL RIGHTS RESERVED.

MOD	Loc	DIST	P	F	REVISIONS			DATE	APPD
					ZONE	LTR	DESCRIPTION		
4	BD	35			D		REV PER EC 0020-299-93	04/07/93	RW
					E		REV PER EC 0020-155-94	03/09/94	AF
					F		REV PER EC 0020-0740-94	07/13/94	AF



1. RECEPTACLE MATES WITH PLUG, AMP PART NO 213572-1.
2. RECEPTACLE WILL ACCEPT TYPE III+ SOCKET CONTACTS.
3. RECEPTACLE MATES WITH PRODUCT DESIGNED TO MIL SPEC 5015.

DO NOT SCALE PRINT. UNLESS SPECIFIED DIMENSIONS IN mm [INCHES] TOLERANCES ON:		DR 08/29/89 W.G.LENKER		213570-1	
2 PLC DEC ± 0.13 [.005]		CHK 11-17-89 R.STONE		PART NO	
3 PLC DEC ± -		APPD 11-17-89 M.KAPEZYNSKI		AMP INCORPORATED Harrisburg, Pa. 17105	
ANGLES ± -		APPD 12-11-89 G.J.SACUNAS		NAME	
MATERIAL POLYAMID, BLACK		PRODUCT SPEC -		RECEPTACLE, 20-14 ARR, REVERSE SEX, CPC	
FINISH -		APPLICATION SPEC -		SIZE C	CAGE CODE 00779
				SCALE 2:1	DRAWING NO 213570
					SHEET 1 OF 1

单击下面可查看定价，库存，交付和生命周期等信息

[>>TE Connectivity\(泰科\)](#)