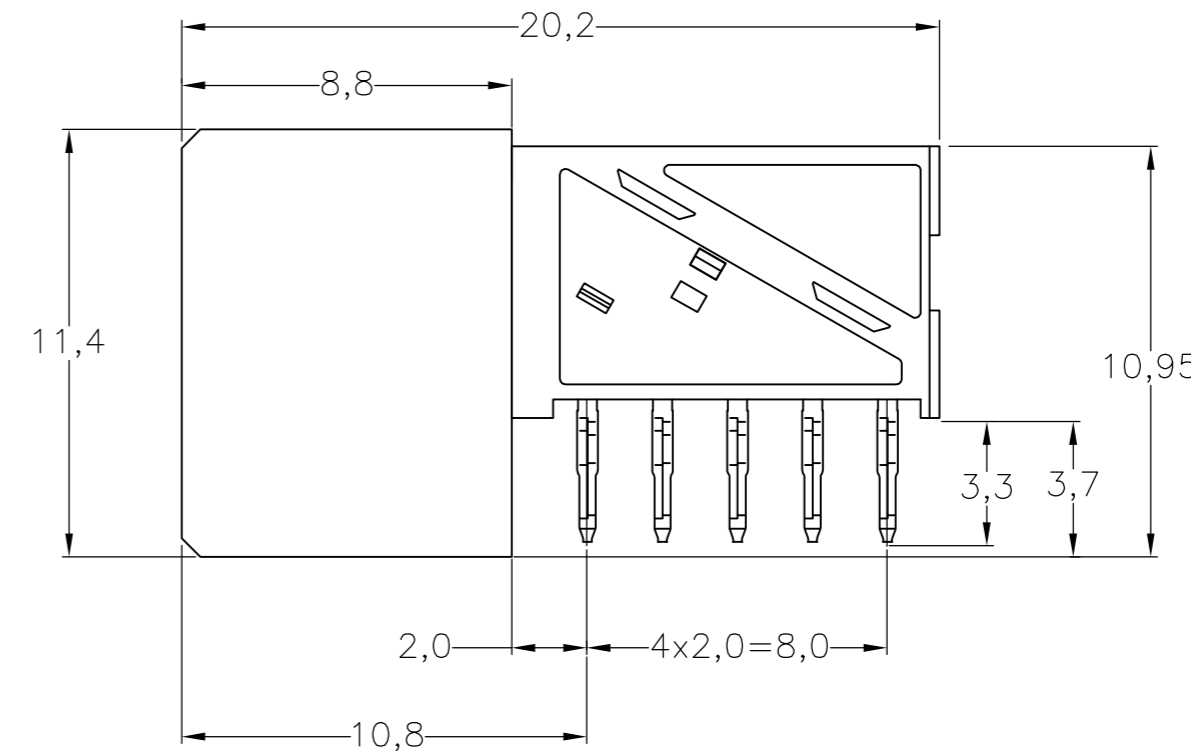
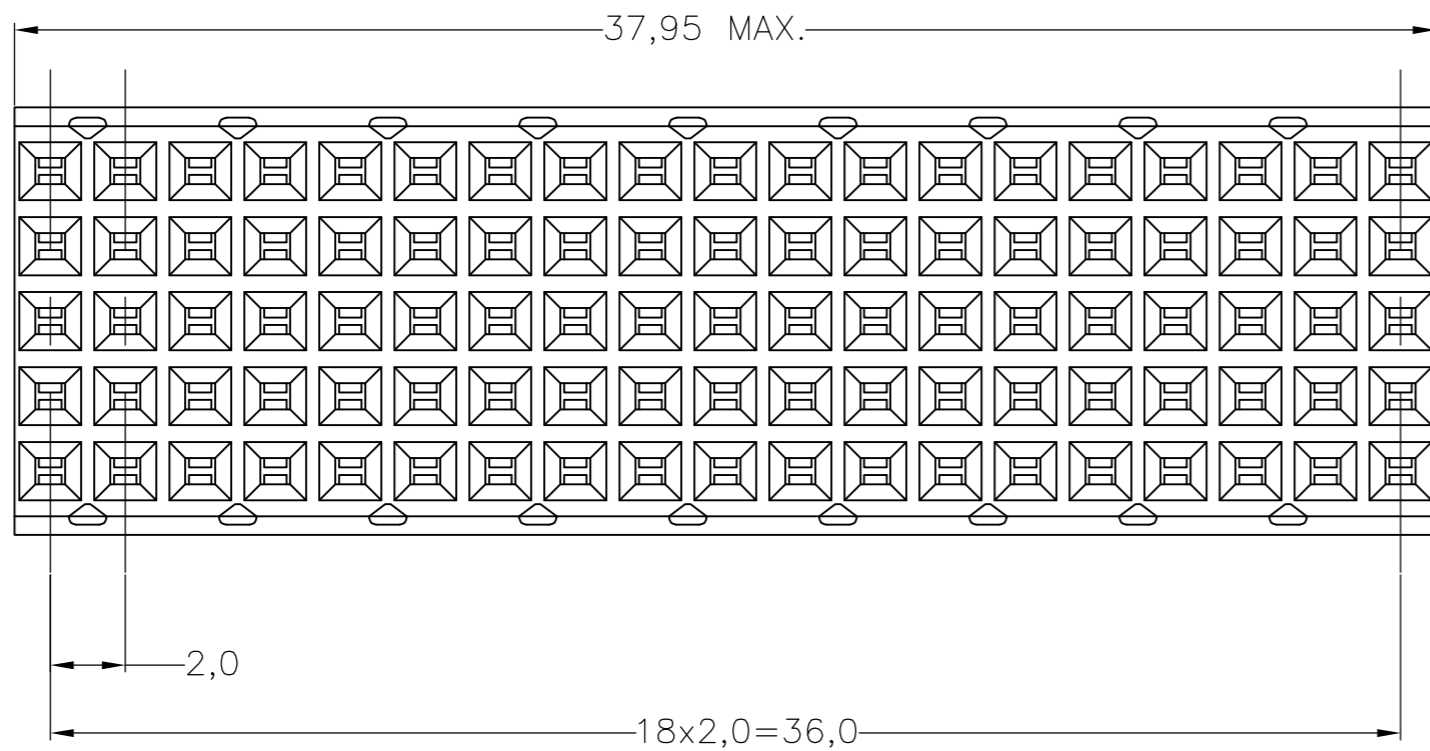
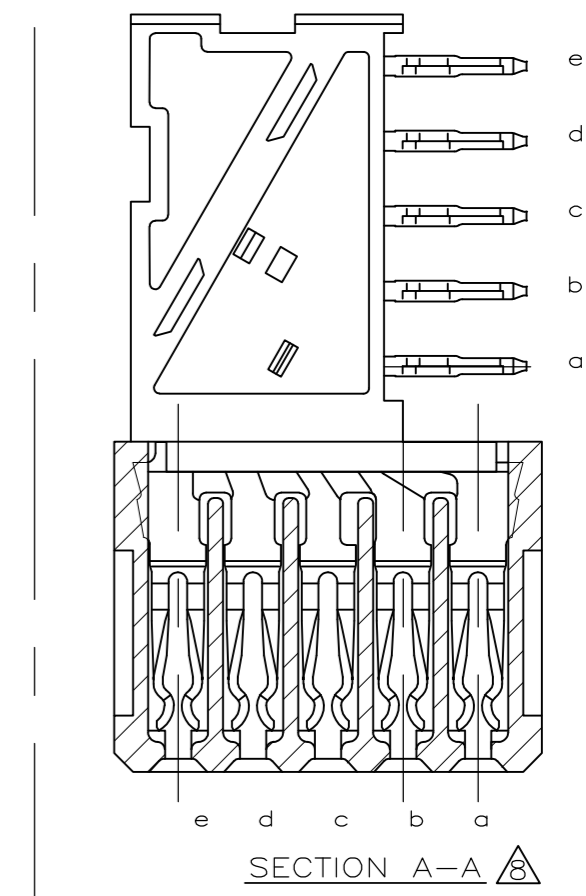
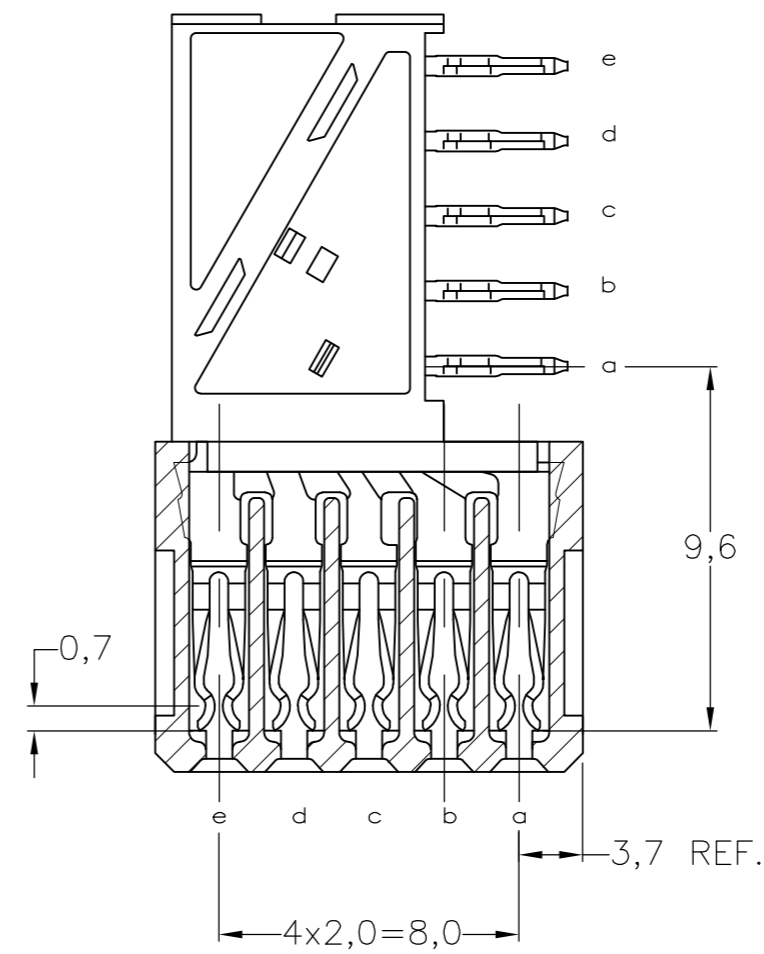
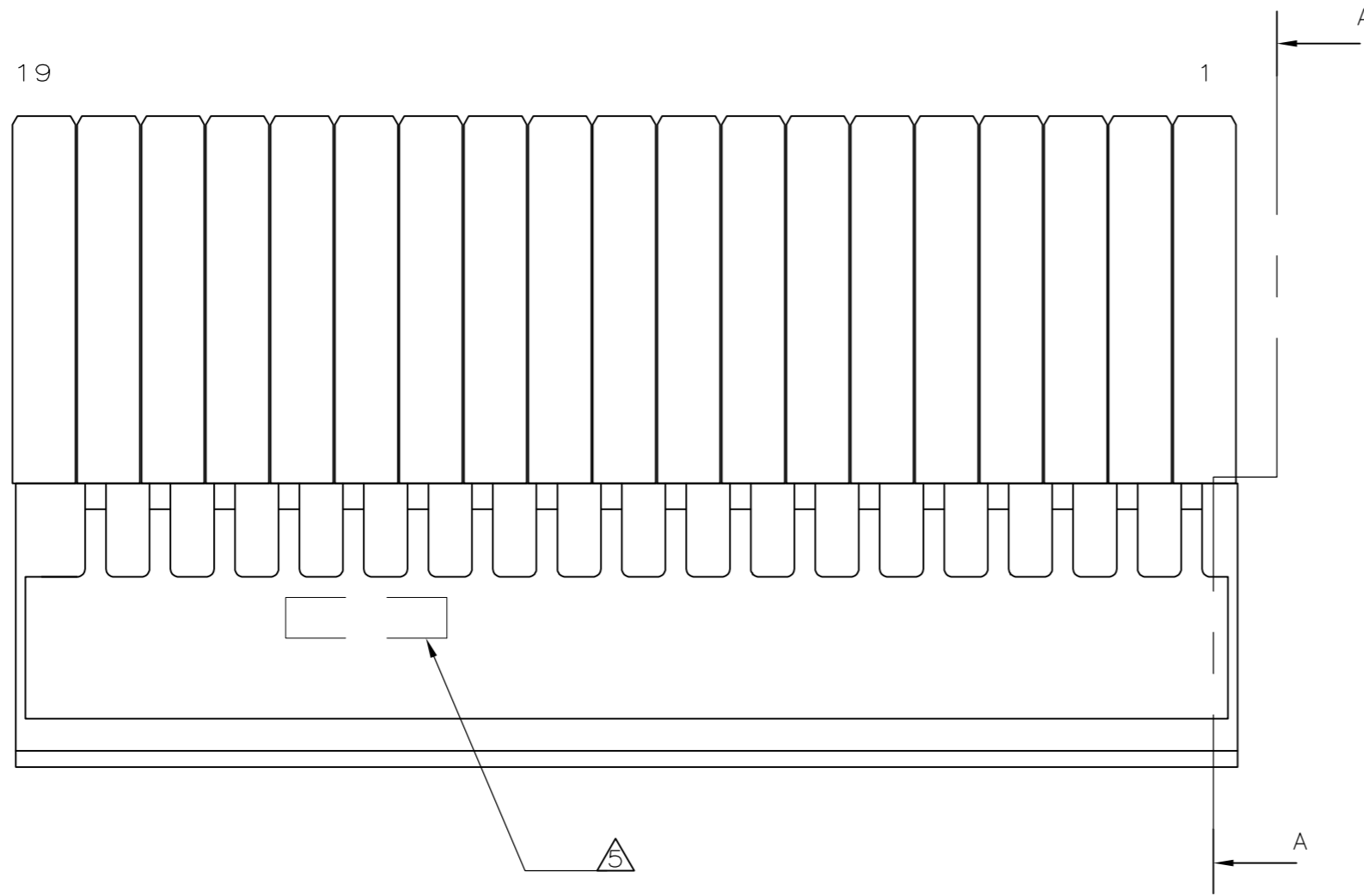


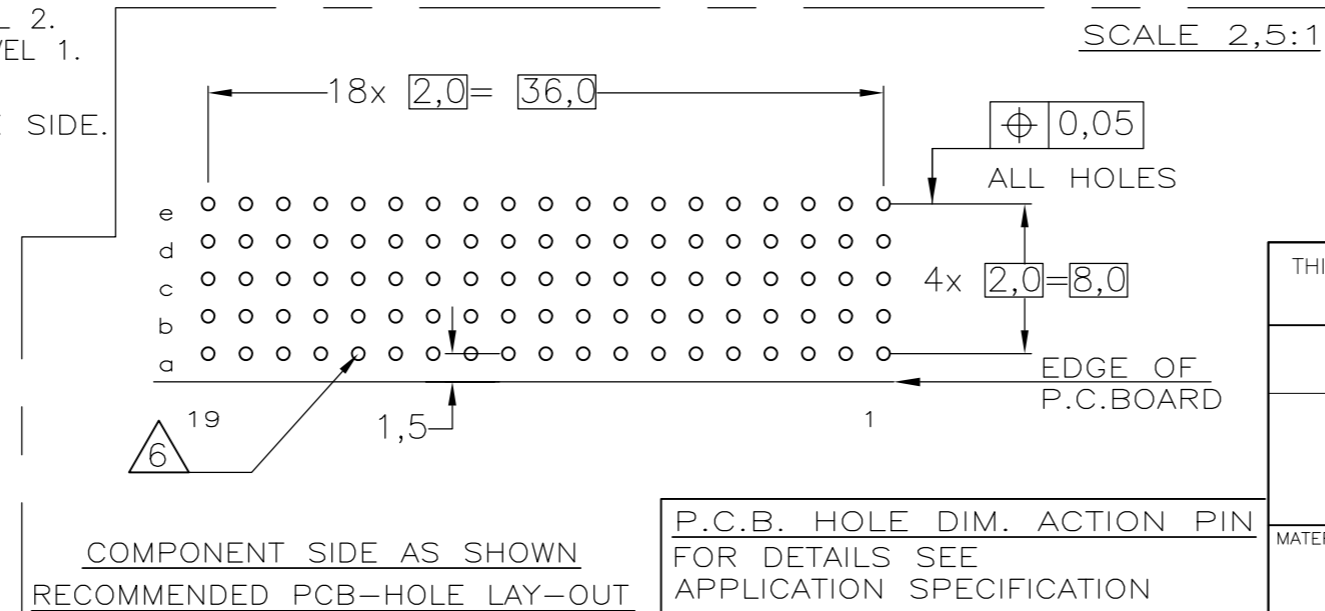
THIS DRAWING IS UNPUBLISHED. RELEASED FOR PUBLICATION
 © COPYRIGHT - By - ALL RIGHTS RESERVED.

| LOC | | DIST | | REVISIONS | | | |
|-----|-----|-------------|---------------------------|-----------|-----|------|--|
| P | LTR | DESCRIPTION | | DATE | DWN | APVD | |
| H | - | L | REVISED PER ECR-13-000757 | 18JAN2013 | FL | AC | |



NOTES:

- 1 MATERIAL CONTACT; PHOSPHORBRONZE
MATERIAL HOUSING;
GLASSFILLED POLYESTER UL-RATING 94V0 (GRAY)
- 2 GENERAL PLATING SPECIFICATION: UNDERPLATING (ENTIRE CONTACT): 1,27µm NICKEL MIN.
AND ACTION PIN: 0,5µm TIN-LEAD MIN.
FOR PLATING OF MATING SURFACES SEE APPLICABLE SPECIFICATION REFERENCE FOR EACH DASH NUMBER.
- 3 CONFORMS TO ALL TESTING ACCORDING IEC 61076-4-101 PERFORMANCE LEVEL 2.
- 4 CONFORMS TO ALL TESTING ACCORDING IEC 61076-4-101 PERFORMANCE LEVEL 1.
- 5 CONNECTOR PRINTED WITH PARTNUMBER AND DATECODE
THE MARKING CAN APPEAR ON THE FRONT SIDE OR ON THE BACK SIDE.
- 6 PLATED-THROUGH HOLES AT 2x2mm SQUARE GRID. 95 HOLES
- 7 FITS WITH INTEGRATED GROUND RETURN UPSHIELD,
BASIC P.N. 352028
AND INTEGRATED GROUND RETURN LOWERSHIELD,
BASIC P.N. 352029
- 8 CONNECTOR ASSEMBLED WITH REDESIGNED CONTACTS.
CONTACTS HAVE A CORING-OUT IN THE PLASTIC.
- 9 0.76µm MIN GOLD PLATING AT MATING SURFACES.
- 10 OBSOLETE PARTS: OBSOLETE CIS STREAMLINING PER
D.RENAUD/D.SINISI.



THIS DRAWING IS A CONTROLLED DOCUMENT.

| | |
|-------------|--|
| DIMENSIONS: | TOLERANCES UNLESS OTHERWISE SPECIFIED: |
| mm | |
| | 0-PLC ± |
| | 1-PLC ± |
| | 2-PLC ± |
| | 3-PLC ± |
| | 4-PLC ± |
| | ANGLES ± |
| MATERIAL | FINISH |
| | |

| | | | | |
|------------|---------|-------------------|------------------|---------------|
| DWN | 20JAN97 | E. MÖHLMANN | NAME | |
| CHK | 20JAN97 | W.V.D.HEIJDEN | | |
| APVD | - | F.V.KONINGSBRUGGE | PRODUCT SPEC | 108-19082 |
| | | | APPLICATION SPEC | 114-19029 |
| | | | WEIGHT | - |
| | | | CUSTOMER DRAWING | |
| SIZE | | A2 | CAGE CODE | 00779 |
| DRAWING NO | | C=352009 | | RESTRICTED TO |
| SCALE | | NTS | SHEET | 1 of 1 |
| REV | | L | | |

单击下面可查看定价，库存，交付和生命周期等信息

[>>TE Connectivity\(泰科\)](#)