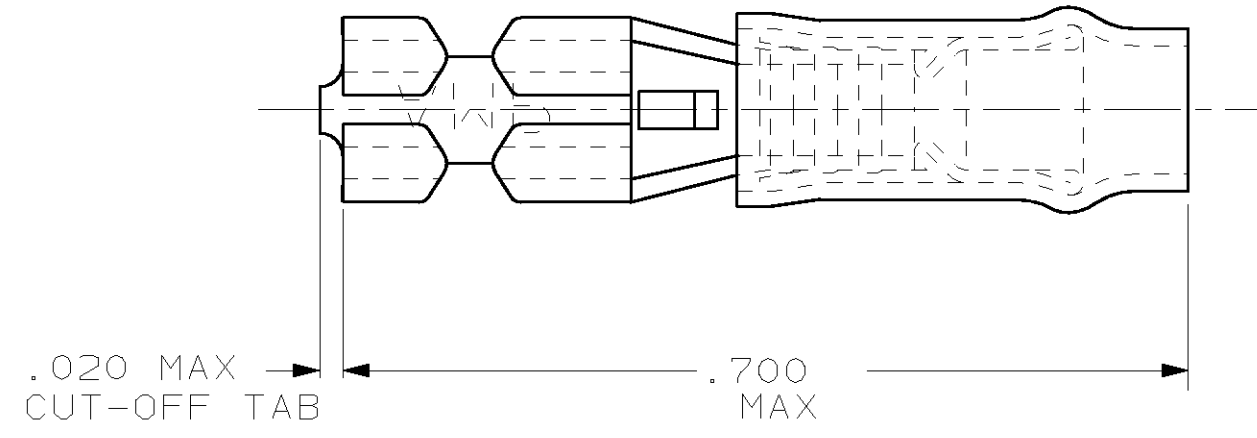
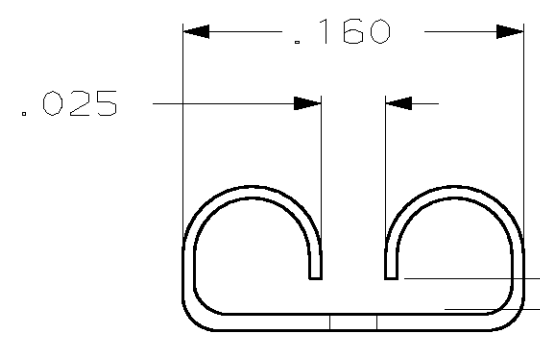
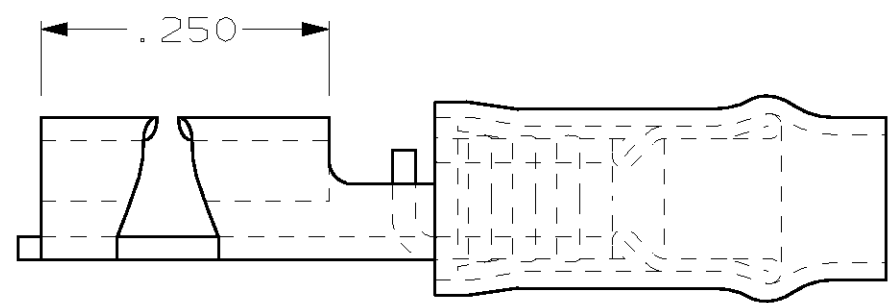


THIS DRAWING IS UNPUBLISHED. RELEASED FOR PUBLICATION ,19 .  
 © COPYRIGHT 19 BY AMP INCORPORATED. ALL RIGHTS RESERVED.

LOC	DIST	REVISIONS			
P	LTR	DESCRIPTION	DATE	DWN	APVD
G	14	REV PER 0G3A-0176-02	08APR02	JR	TM



- 1. INSULATION DIA .082 MAX
- 2. FITS TAB .020±.001



- FITS "110" SERIES FASTON TAB  
 (REFER TO CP-16000 FOR TAB DETAILS)

QTY	PACKAGE TYPE	PART NO
-	-	-
-	TAPE MOUNTED	641324-2
-	LOOSE PIECE	641324-1

**AMP INCORPORATED**  
**CUSTOMER SERVICE SYSTEM**

FOR ADDITIONAL PRODUCT INFORMATION OR COPIES OF DRAWINGS AND TECHNICAL DOCUMENTS	PRODUCT INFORMATION CENTER 1-800-522-6752
FOR APPLICATION TOOLING INFORMATION	TOOLING ASSISTANCE CENTER 1-800-722-1111
FOR ORDER ENTRY	1-800-526-5142

MAX RECOMMENDED OPERATING TEMPERATURE:  
-

VOLTAGE RATING:  
-

CIRCULAR MIL AREA:  
-

THIS DRAWING IS A CONTROLLED DOCUMENT FOR AMP INCORPORATED. IT IS SUBJECT TO CHANGE AND THE CONTROLLING ENGINEERING ORGANIZATION SHOULD BE CONTACTED FOR THE LATEST REVISION.

DIMENSIONS, INCHES	TOLERANCES UNLESS OTHERWISE SPECIFIED:
	0 PLC ±-
	1 PLC ±-
	2 PLC ±.015
	3 PLC ±-
	4 PLC ±-
	ANGLES ±-

MATERIAL: BODY, BRASS .016  
 SLV, NYLON, COLOR, YELLOW

FINISH: BODY, PRE-TIN

DWN	L OLMEDA	13NOV95
CHK	M ELLIS	15NOV95
APVD	B BARE	15NOV95
PRODUCT SPEC	-	-
APPLICATION SPEC	-	-
WEIGHT	-	-

CUSTOMER DRAWING

**AMP** AMP Incorporated  
 Harrisburg, PA 17105-3608

NAME: RECEPTACLE, 110 SERIES, FASTON, PIDG, WIRE SIZE, 26-24 AWG

SIZE	CAGE CODE	DRAWING NO
A3	00779	C-641324

SCALE: NT5 SHEET: 1 OF 1 REV: G

单击下面可查看定价，库存，交付和生命周期等信息

[>>TE Connectivity\(泰科\)](#)