

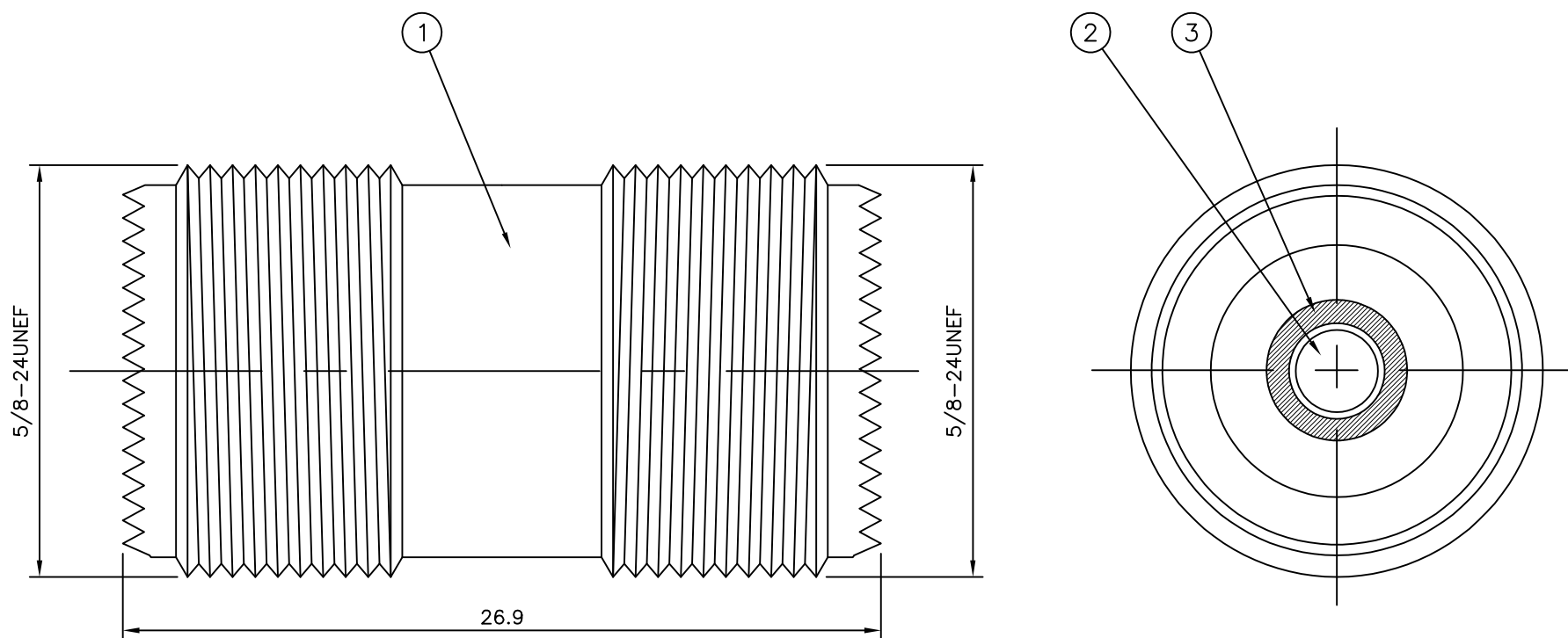
THIS DRAWING IS UNPUBLISHED. RELEASED FOR PUBLICATION JAN , 2007.

© COPYRIGHT 2007 BY TYCO ELECTRONICS CORPORATION. ALL RIGHTS RESERVED.

| LOC | DIST | REVISIONS | | | | | |
|-----|------|-----------|-----|---------------------------|---------|-----|------|
| E | B | P | LTR | DESCRIPTION | DATE | DWN | APVD |
| | | B | | REVISED PER ECO-09-003420 | 19FEB09 | ANS | BOB |

NOTES

- 1 SINGLE PACK IN ACCORDANCE WITH AMP SPEC 107-3275
- 2 100 TRAY PACK IN ACCORDANCE WITH AMP SPEC 107-3275
- 3 NICKEL PLATING
- 4. FOR TECHNICAL DATA REFER TO YOUR LOCAL TYCO ELECTRONICS SALES OFFICE
- 5. ALL DIMENSIONS ARE NOMINAL FOR REFERENCE ONLY UNLESS OTHERWISE STATED



| QTY | QTY | QTY | QTY | MATERIAL | DESCRIPTION | ITEM |
|-----|-----|-----|-----|------------|-------------|------|
| 1 | 1 | | | POM | INSULATOR | 3 |
| 1 | 1 | | | BRASS | CONTACT | 2 |
| 1 | 1 | | | ZINC ALLOY | BODY | 1 |
| 5 | 15 | 0 | | | | |

| | | | | | | | | |
|--|--|------------------|----------|------------------|--|-----------|------------|---------------|
| THIS DRAWING IS A CONTROLLED DOCUMENT. | | DWN | ANSON MA | 14FEB09 | Tyco Electronics Corporation Kunshan, Jiangsu, PRC 215312 | | | |
| DIMENSIONS: mm | | CHK | RITA ZUO | 14FEB09 | NAME UHF STRAIGHT ADAPTER J-J NICKEL PLATED | | | |
| TOLERANCES UNLESS OTHERWISE SPECIFIED: | | APVD | BOB ZHAO | 14FEB09 | PRODUCT SPEC 108-112000 | | | |
| 0 PLC ± - | | APPLICATION SPEC | | SIZE | | CAGE CODE | DRAWING NO | RESTRICTED TO |
| 1 PLC ± 0.3 | | MATERIAL | | A3 | | 00779 | C-1814817 | - |
| 2 PLC ± - | | FINISH | | CUSTOMER DRAWING | | SCALE | SHEET | REV |
| 3 PLC ± - | | SEE TABLE | | - | | NTS | 1 OF 1 | B |
| 4 PLC ± - | | | | | | | | |
| ANGLES ± - | | | | | | | | |

单击下面可查看定价，库存，交付和生命周期等信息

[>>TE Connectivity\(泰科\)](#)