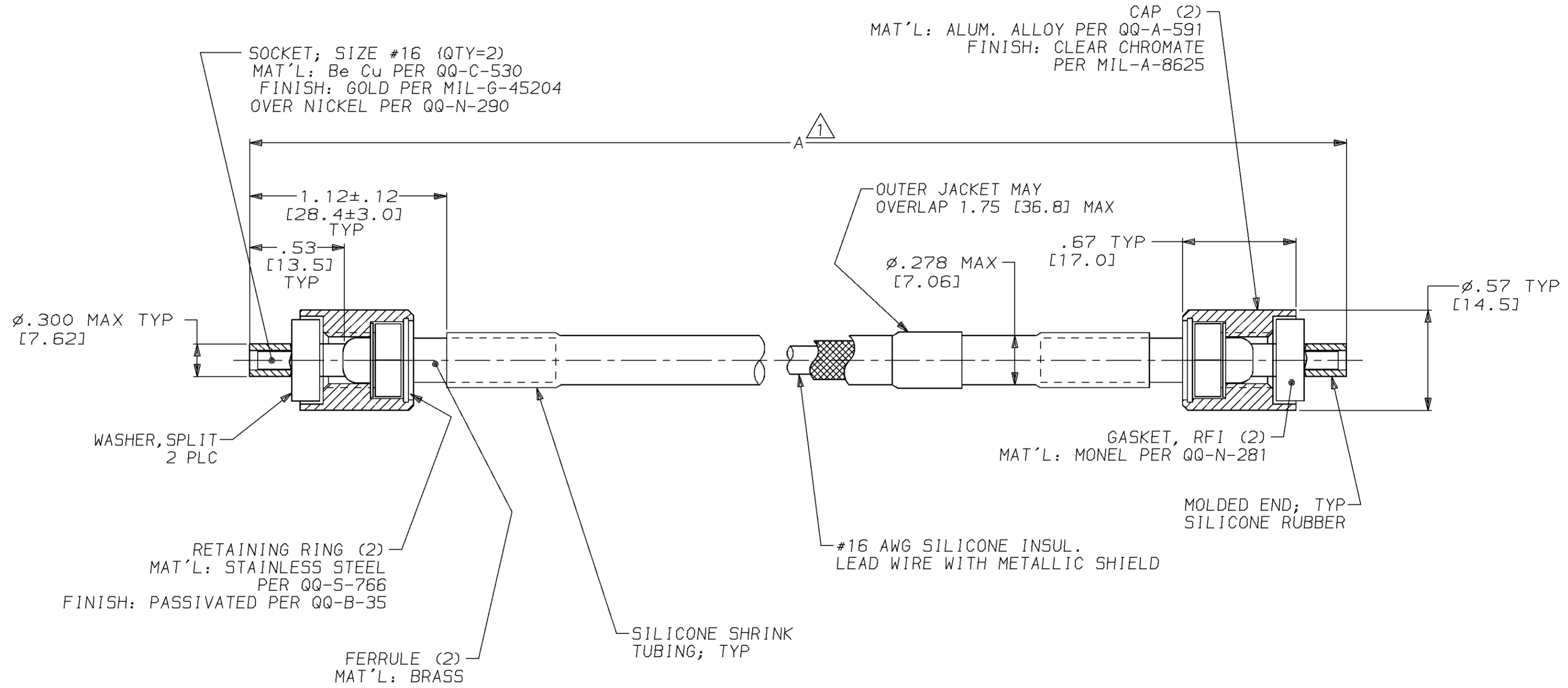


THIS DRAWING IS UNPUBLISHED. RELEASED FOR PUBLICATION, 19 .
 © COPYRIGHT 19 BY AMP INCORPORATED. ALL INTERNATIONAL RIGHTS RESERVED.

PROD CODE	LOC	DIST	P	F	ZONE	LTR	DESCRIPTION	DATE	APPD
4092	DF	50				B	REV & REDRAWN; 0600-1546-93	CT DE	6-94

PART NO.	A	
862605-1	6.50 [165.1]	OBSOLETE
862605-2	8.50 [215.9]	OBSOLETE
862605-3	15.00 [381.0]	OBSOLETE
862605-4	13.00 [330.2]	



- 1. TOLERANCE OF LEAD LENGTH:
 UP TO 24 INCHES [609.6] = ±.12 [±3.0]
 24 INCHES [609.6] & UP = ±1%
- 2. MARKED PER MIL-STD-130.
- 3. TO MATE WITH AMP LGH-1/2 RECEPTACLE WITH .53 [13.5] BARREL DEPTH.

DO NOT SCALE PRINT. UNLESS SPECIFIED DIMENSIONS IN INCHES [mm] TOLERANCES ON: 2 PLC DEC ± .02 [0.5] 3 PLC DEC ± - ANGLES ± -	DR 5-25-94 C.C. THOMAS	AMP Incorporated Harrisburg, PA 17105-3608
	CHK 6-2-94 D.EABY	
MATERIAL SEE CALLOUTS	APPD 6-2-94 D.EABY	NAME LEAD ASSEMBLY, DBL. END, LGH-1/2, RFI SHIELDED
	APPD 6-2-94 C.C. THOMAS	PRODUCT SPEC -
FINISH SEE CALLOUTS	APPLICATION SPEC -	SIZE C 00779
	WEIGHT -	DRAWING NO 862605
		SCALE 2:1
		SHEET 1 OF 1

THIS DRAWING IS A CONTROLLED DOCUMENT FOR AMP INCORPORATED. IT IS SUBJECT TO CHANGE AND THE CONTROLLING ENGINEERING ORGANIZATION SHOULD BE CONTACTED FOR THE LATEST REVISION.

单击下面可查看定价，库存，交付和生命周期等信息

[>>TE Connectivity\(泰科\)](#)